



# 16-Bit, +5V, 200ksps ADC with 10 $\mu$ A Shutdown

**MAX1162**

## General Description

The MAX1162 low-power, 16-bit analog-to-digital converter (ADC) features a successive-approximation ADC, automatic power-down, fast 1.1 $\mu$ s wakeup, and a high-speed SPI™/QSPI™/MICROWIRE™-compatible interface. The MAX1162 operates with a single +5V analog supply and features a separate digital supply, allowing direct interfacing with +2.7V to +5.25V digital logic.

At the maximum sampling rate of 200ksps, the MAX1162 consumes only 2.5mA. Power consumption is only 12.5mW ( $AV_{DD} = DV_{DD} = +5V$ ) at a 200ksps (max) sampling rate. AutoShutdown™ reduces supply current to 130 $\mu$ A at 10ksps and to less than 10 $\mu$ A at reduced sampling rates.

Excellent dynamic performance and low power, combined with ease of use and small package size (10-pin  $\mu$ MAX and 10-pin DFN) make the MAX1162 ideal for battery-powered and data-acquisition applications or for other circuits with demanding power consumption and space requirements.

## Applications

- Motor Control
- Industrial Process Control
- Industrial I/O Modules
- Data-Acquisition Systems
- Thermocouple Measurements
- Accelerometer Measurements
- Portable- and Battery-Powered Equipment



Functional Diagram appears at end of data sheet.

SPI and QSPI are trademarks of Motorola, Inc.  
MICROWIRE is a trademark of National Semiconductor Corp.  
AutoShutdown is a trademark of Maxim Integrated Products, Inc.

## Features

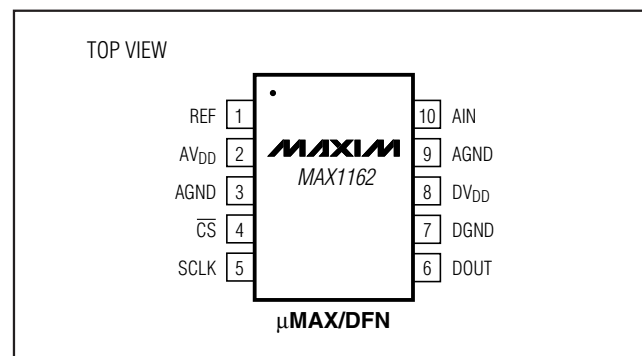
- ◆ 16-Bit Resolution, No Missing Codes
- ◆ +5V Single-Supply Operation
- ◆ Adjustable Logic Level (+2.7V to +5.25V)
- ◆ Input Voltage Range: 0 to  $V_{REF}$
- ◆ Internal Track/Hold, 4MHz Input Bandwidth
- ◆ SPI/QSPI/MICROWIRE-Compatible Serial Interface
- ◆ Small 10-Pin  $\mu$ MAX or 10-Pin DFN Package
- ◆ Low Power
  - 2.5mA at 200ksps
  - 130 $\mu$ A at 10ksps
  - 0.1 $\mu$ A in Power-Down Mode

## Ordering Information

PART	TEMP RANGE	PIN-PACKAGE	INL (LSB)
MAX1162ACUB	0°C to +70°C	10 $\mu$ MAX	$\pm 2$
MAX1162AC_B*	0°C to +70°C	10 DFN	$\pm 2$
MAX1162BCUB	0°C to +70°C	10 $\mu$ MAX	$\pm 2$
MAX1162BC_B*	0°C to +70°C	10 DFN	$\pm 2$
MAX1162CCUB	0°C to +70°C	10 $\mu$ MAX	$\pm 4$
MAX1162CC_B*	0°C to +70°C	10 DFN	$\pm 4$
MAX1162AEUB	-40°C to +85°C	10 $\mu$ MAX	$\pm 2$
MAX1162AE_B*	-40°C to +85°C	10 DFN	$\pm 2$
MAX1162BEUB	-40°C to +85°C	10 $\mu$ MAX	$\pm 2$
MAX1162BE_B*	-40°C to +85°C	10 DFN	$\pm 2$
MAX1162CEUB	-40°C to +85°C	10 $\mu$ MAX	$\pm 4$
MAX1162CE_B*	-40°C to +85°C	10 DFN	$\pm 4$

\*Future product—contact factory for DFN package availability.

## Pin Configuration



Maxim Integrated Products 1

For pricing, delivery, and ordering information, please contact Maxim/Dallas Direct! at 1-888-629-4642, or visit Maxim's website at [www.maxim-ic.com](http://www.maxim-ic.com).

# 16-Bit, +5V, 200ksps ADC with 10 $\mu$ A Shutdown

## ABSOLUTE MAXIMUM RATINGS

AV <sub>DD</sub> to AGND	-0.3V to +6V
DV <sub>DD</sub> to DGND	-0.3V to +6V
DGND to AGND	-0.3V to +0.3V
A <sub>IN</sub> , REF to AGND	-0.3V to (AV <sub>DD</sub> + 0.3V)
SCLK, CS to DGND	-0.3V to +6V
DO <sub>UT</sub> to DGND	-0.3V to (DV <sub>DD</sub> + 0.3V)
Maximum Current Into Any Pin	50mA

Continuous Power Dissipation (T <sub>A</sub> = +70°C)	
10-Pin $\mu$ MAX (derate 5.6mW/°C above +70°C)	444mW
Operating Temperature Ranges	
MAX1162_CUB	0°C to +70°C
MAX1162_EUB	-40°C to +85°C
Maximum Junction Temperature	+150°C
Storage Temperature Range	-65°C to +150°C
Lead Temperature (soldering, 10s)	+300°C

Stresses beyond those listed under "Absolute Maximum Ratings" may cause permanent damage to the device. These are stress ratings only, and functional operation of the device at these or any other conditions beyond those indicated in the operational sections of the specifications is not implied. Exposure to absolute maximum rating conditions for extended periods may affect device reliability.

## ELECTRICAL CHARACTERISTICS

(AV<sub>DD</sub> = DV<sub>DD</sub> = +4.75V to +5.25V, f<sub>SCLK</sub> = 4.8MHz (50% duty cycle), 24 clocks/conversion (200ksps), V<sub>REF</sub> = +4.096V, C<sub>REF</sub> = 4.7 $\mu$ F, T<sub>A</sub> = T<sub>MIN</sub> to T<sub>MAX</sub>, unless otherwise noted. Typical values are at T<sub>A</sub> = +25°C.)

PARAMETER	SYMBOL	CONDITIONS	MIN	TYP	MAX	UNITS
<b>DC ACCURACY (NOTE 1)</b>						
Resolution			16			Bits
Relative Accuracy (Note 2)	INL	MAX1162A			$\pm 2$	LSB
		MAX1162B			$\pm 2$	
		MAX1162C			$\pm 4$	
Differential Nonlinearity	DNL	No missing codes over temperature	MAX1162A		$\pm 1$	LSB
			MAX1162B	-1	$\pm 1.75$	
		MAX1162C		$\pm 2$		
Transition Noise		RMS noise		$\pm 0.65$		LSB <sub>RMS</sub>
Offset Error				0.1	1	mV
Gain Error		(Note 3)		$\pm 0.002$	$\pm 0.01$	%FSR
Offset Drift				0.4		ppm/°C
Gain Drift		(Note 3)		0.2		ppm/°C
<b>DYNAMIC SPECIFICATIONS</b> (1kHz sine wave, 4.096V <sub>P-P</sub> ) (Note 1)						
Signal-to-Noise Plus Distortion	SINAD		86	89.5		dB
Signal-to-Noise Ratio	SNR		87	90		dB
Total Harmonic Distortion	THD				-90	dB
Spurious-Free Dynamic Range	SFDR		92	103		dB
Full-Power Bandwidth		-3dB point		4		MHz
Full-Linear Bandwidth		SINAD > 86dB		10		kHz
<b>CONVERSION RATE</b>						
Conversion Time	t <sub>CONV</sub>	(Note 4)	5		240	$\mu$ s
Serial Clock Frequency	f <sub>SCLK</sub>		0.1		4.8	MHz
Aperture Delay	t <sub>AD</sub>			15		ns
Aperture Jitter	t <sub>AJ</sub>			<50		ps
Sample Rate	f <sub>s</sub>	f <sub>SCLK</sub> / 24			200	ksps
Track/Hold Acquisition Time	t <sub>ACQ</sub>		1.1			$\mu$ s

# 16-Bit, +5V, 200ksp/s ADC with 10µA Shutdown

MAX1162

## ELECTRICAL CHARACTERISTICS (continued)

(AVDD = DVDD = +4.75V to +5.25V, fSCLK = 4.8MHz (50% duty cycle), 24 clocks/conversion (200ksp/s), VREF = +4.096V, CREF = 4.7µF, TA = TMIN to TMAX, unless otherwise noted. Typical values are at TA = +25°C.)

PARAMETER	SYMBOL	CONDITIONS	MIN	TYP	MAX	UNITS	
<b>ANALOG INPUT (AIN)</b>							
Input Range	VAIN		0		VREF	V	
Input Capacitance	CAIN			40		pF	
<b>EXTERNAL REFERENCE</b>							
Input Voltage Range	VREF		3.8		AVDD	V	
Input Current	IREF	VREF = +4.096V, fSCLK = 4.8MHz		100		µA	
		VREF = +4.096V, SCLK idle		0.01			
		$\overline{CS}$ = DVDD, SCLK idle		0.01			
<b>DIGITAL INPUTS (SCLK, <math>\overline{CS}</math>)</b>							
Input High Voltage	VIH	DVDD = +2.7V to +5.25V	0.7 x DVDD			V	
Input Low Voltage	VIL	DVDD = +2.7V to +5.25V			0.3 x DVDD	V	
Input Leakage Current	IIN	VIN = 0 to DVDD		±0.1	±1	µA	
Input Hysteresis	VHYST			0.2		V	
Input Capacitance	CIN			15		pF	
<b>DIGITAL OUTPUT (DOUT)</b>							
Output High Voltage	VOH	ISOURCE = 0.5mA, DVDD = +2.7V to +5.25V	DVDD - 0.25V			V	
Output Low Voltage	VOL	ISINK = 10mA, DVDD = +4.75V to +5.25V			0.7	V	
		ISINK = 1.6mA, DVDD = +2.7V to +5.25V			0.4		
Three-State Output Leakage Current	IL	$\overline{CS}$ = DVDD		±0.1	±10	µA	
Three-State Output Capacitance	COUT	$\overline{CS}$ = DVDD		15		pF	
<b>POWER SUPPLIES</b>							
Analog Supply	AVDD		4.75		5.25	V	
Digital Supply	DVDD		2.7		5.25	V	
Analog Supply Current	IAVDD	$\overline{CS}$ = DGND	200ksp/s		2.0	2.5	mA
			100ksp/s		1.0		
			10ksp/s		0.1		
			1ksp/s		0.01		
Digital Supply Current	IDVDD	$\overline{CS}$ = DGND, DOUT = all zeros	200ksp/s		0.6	1.0	mA
			100ksp/s		0.3		
			10ksp/s		0.03		
			1ksp/s		0.003		

# 16-Bit, +5V, 200ksps ADC with 10 $\mu$ A Shutdown

## ELECTRICAL CHARACTERISTICS (continued)

( $V_{DD} = DV_{DD} = +4.75V$  to  $+5.25V$ ,  $f_{SCLK} = 4.8MHz$  (50% duty cycle), 24 clocks/conversion (200ksps),  $V_{REF} = +4.096V$ ,  $C_{REF} = 4.7\mu F$ ,  $T_A = T_{MIN}$  to  $T_{MAX}$ , unless otherwise noted. Typical values are at  $T_A = +25^\circ C$ .)

PARAMETER	SYMBOL	CONDITIONS	MIN	TYP	MAX	UNITS
Shutdown Supply Current	$I_{AVDD} + I_{DVDD}$	$\overline{CS} = DV_{DD}$ , SCLK = idle		0.1	10	$\mu A$
Power-Supply Rejection Ratio	PSRR	$AV_{DD} = DV_{DD} = +4.75V$ to $+5.25V$ , full-scale input (Note 5)		68		dB

## TIMING CHARACTERISTICS (Figures 1, 2, 3, and 6)

( $AV_{DD} = DV_{DD} = +4.75V$  to  $+5.25V$ ,  $f_{SCLK} = 4.8MHz$  (50% duty cycle), 24 clocks/conversion (200ksps),  $V_{REF} = +4.096V$ ,  $T_A = T_{MIN}$  to  $T_{MAX}$ , unless otherwise noted. Typical values are at  $T_A = +25^\circ C$ .)

PARAMETER	SYMBOL	CONDITIONS	MIN	TYP	MAX	UNITS
Acquisition Time	$t_{ACQ}$		1.1			$\mu s$
SCLK to DOUT Valid	$t_{DO}$	$C_{DOUT} = 50pF$			50	ns
$\overline{CS}$ Fall to DOUT Enable	$t_{DV}$	$C_{DOUT} = 50pF$			80	ns
$\overline{CS}$ Rise to DOUT Disable	$t_{TR}$	$C_{DOUT} = 50pF$			80	ns
$\overline{CS}$ Pulse Width	$t_{CSW}$		50			ns
$\overline{CS}$ Fall to SCLK Rise Setup	$t_{CSS}$		100			ns
$\overline{CS}$ Rise to SCLK Rise Hold	$t_{CSH}$				0	ns
SCLK High Pulse Width	$t_{CH}$		65			ns
SCLK Low Pulse Width	$t_{CL}$		65			ns
SCLK Period	$t_{CP}$		208			ns

## TIMING CHARACTERISTICS (Figures 1, 2, 3, and 6)

( $AV_{DD} = +4.75V$  to  $+5.25V$ ,  $DV_{DD} = +2.7V$  to  $+5.25V$ ,  $f_{SCLK} = 4.8MHz$  (50% duty cycle), 24 clocks/conversion (200ksps),  $V_{REF} = +4.096V$ ,  $T_A = T_{MIN}$  to  $T_{MAX}$ , unless otherwise noted. Typical values are at  $T_A = +25^\circ C$ .)

PARAMETER	SYMBOL	CONDITIONS	MIN	TYP	MAX	UNITS
Acquisition Time	$t_{ACQ}$		1.1			$\mu s$
SCLK to DOUT Valid	$t_{DO}$	$C_{DOUT} = 50pF$			100	ns
$\overline{CS}$ Fall to DOUT Enable	$t_{DV}$	$C_{DOUT} = 50pF$			100	ns
$\overline{CS}$ Rise to DOUT Disable	$t_{TR}$	$C_{DOUT} = 50pF$			80	ns
$\overline{CS}$ Pulse Width	$t_{CSW}$		50			ns
$\overline{CS}$ Fall to SCLK Rise Setup	$t_{CSS}$		100			ns
$\overline{CS}$ Rise to SCLK Rise Hold	$t_{CSH}$				0	ns
SCLK High Pulse Width	$t_{CH}$		65			ns
SCLK Low Pulse Width	$t_{CL}$		65			ns
SCLK Period	$t_{CP}$		208			ns

**Note 1:**  $AV_{DD} = DV_{DD} = +5V$ .

**Note 2:** Relative accuracy is the deviation of the analog value at any code from its theoretical value after the full-scale range has been calibrated.

**Note 3:** Offset and reference errors nulled.

**Note 4:** Conversion time is defined as the number of clock cycles multiplied by the clock period; clock has 50% duty cycle.

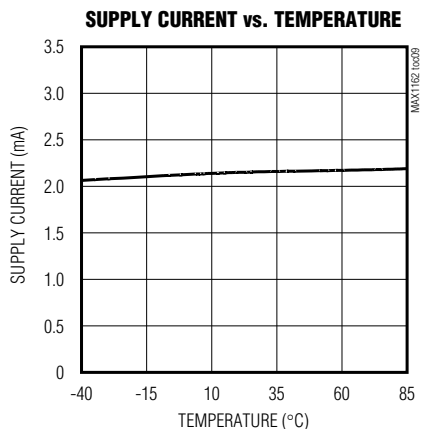
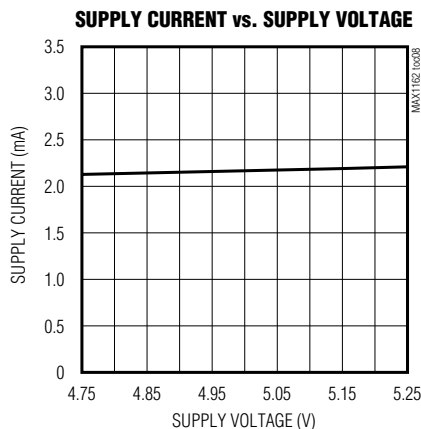
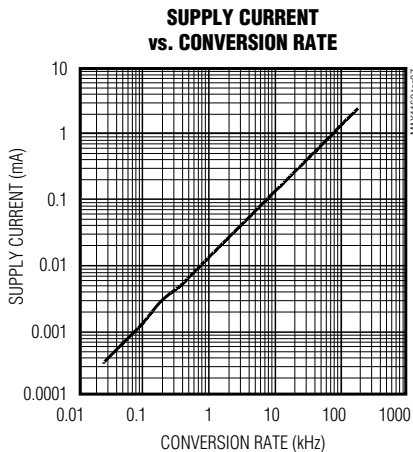
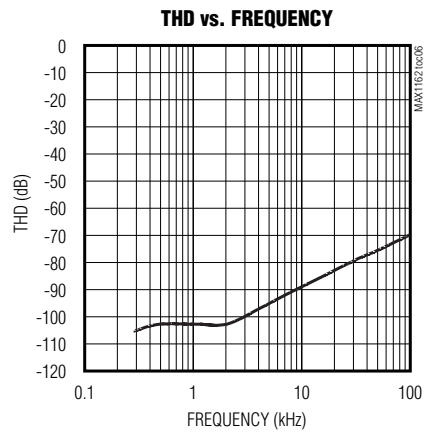
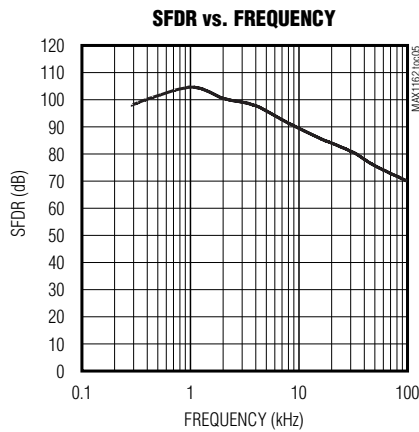
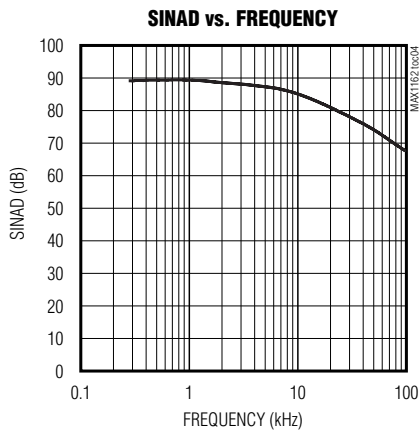
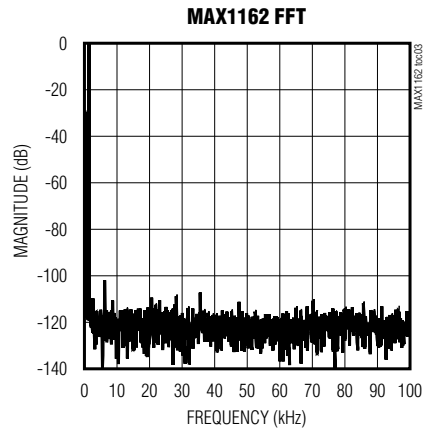
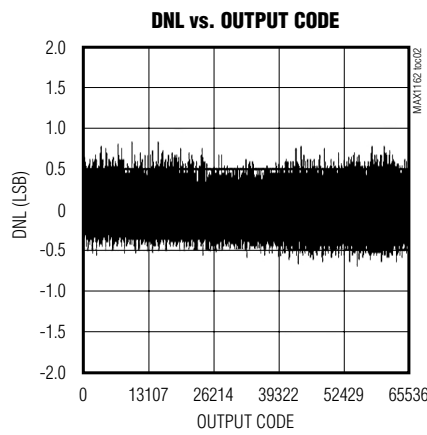
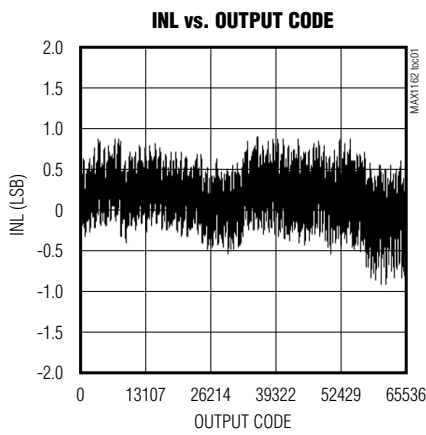
**Note 5:** Defined as the change in positive full scale caused by a  $\pm 5\%$  variation in the nominal supply voltage.

# 16-Bit, +5V, 200ksp/s ADC with 10 $\mu$ A Shutdown

**MAX1162**

## Typical Operating Characteristics

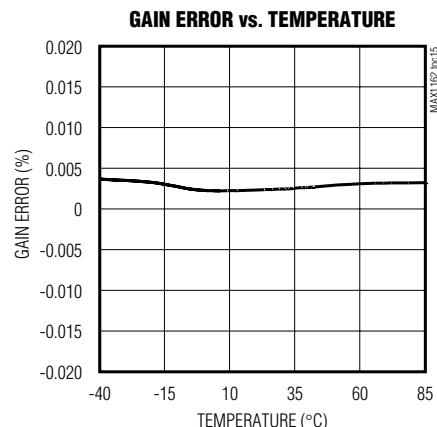
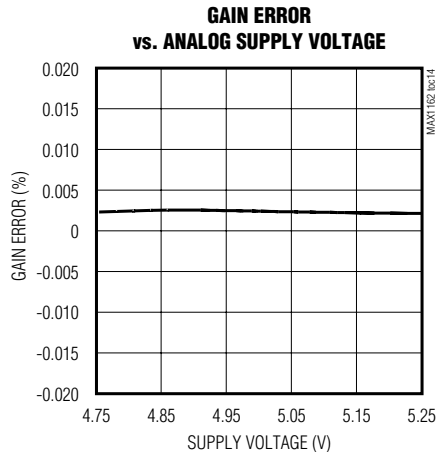
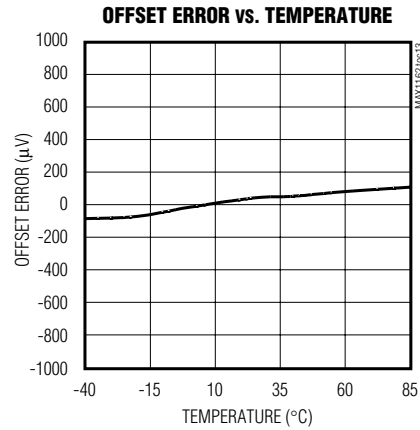
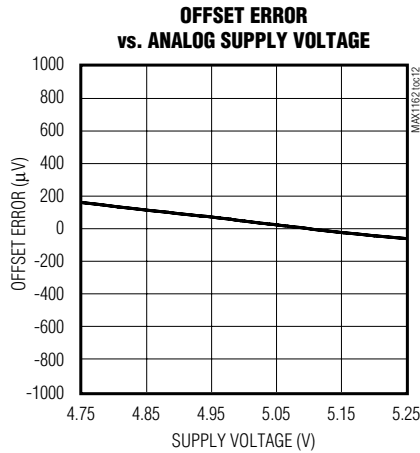
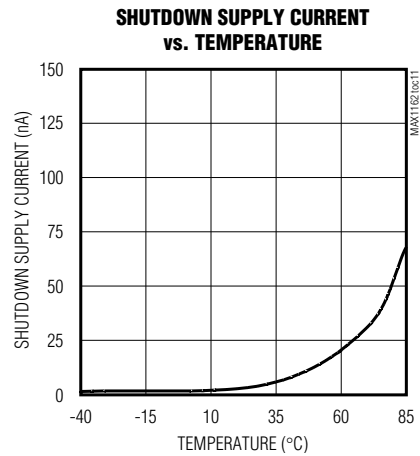
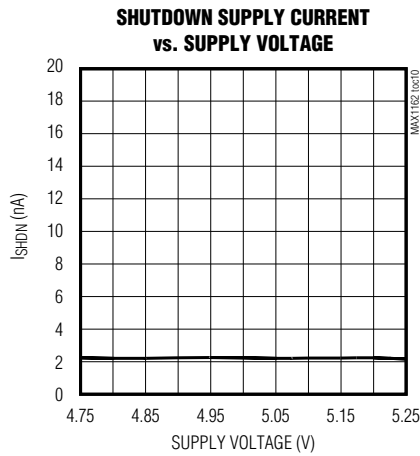
(AVDD = DVDD = +5V, fSCLK = 4.8MHz, CLOAD = 50pF, CREF = 4.7 $\mu$ F, VREF = +4.096V, TA = +25°C, unless otherwise noted.)



# 16-Bit, +5V, 200ksp/s ADC with 10µA Shutdown

## Typical Operating Characteristics (continued)

(AVDD = DVDD = +5V, fSCLK = 4.8MHz, CLOAD = 50pF, CREF = 4.7µF, VREF = +4.096V, TA = +25°C, unless otherwise noted.)



# 16-Bit, +5V, 200ksps ADC with 10µA Shutdown

## Pin Description

PIN	NAME	FUNCTION
1	REF	External Reference Voltage Input. Sets the analog voltage range. Bypass to AGND with a 4.7µF capacitor.
2	AVDD	Analog +5V Supply Voltage. Bypass to AGND (pin 3) with a 0.1µF capacitor.
3, 9	AGND	Analog Ground. Connect pins 3 and 9 together. Place star ground at pin 3.
4	$\overline{CS}$	Active-Low Chip-Select Input. Forcing $\overline{CS}$ high places the MAX1162 in shutdown with a typical current of 0.1µA. A high-to-low transition on $\overline{CS}$ activates normal operating mode and initiates a conversion.
5	SCLK	Serial Clock Input. SCLK drives the conversion process and clocks out data at data rates up to 4.8MHz.
6	DOUT	Serial Data Output. Data changes state on SCLK's falling edge. DOUT is high impedance when $\overline{CS}$ is high.
7	DGND	Digital Ground
8	DVDD	Digital Supply Voltage. Bypass to DGND with a 0.1µF capacitor.
10	AIN	Analog Input

## Detailed Description

The MAX1162 includes an input track-and-hold (T/H) and successive-approximation register (SAR) circuitry to convert an analog input signal to a digital 16-bit output. Figure 4 shows the MAX1162 in its simplest configuration. The serial interface requires only three digital lines (SCLK,  $\overline{CS}$ , and DOUT) and provides an easy interface to microprocessors (µPs).

The MAX1162 has two power modes: normal and shutdown. Driving  $\overline{CS}$  high places the MAX1162 in shutdown, reducing the supply current to 0.1µA (typ), while pulling  $\overline{CS}$  low places the MAX1162 in normal operating mode. Falling edges on  $\overline{CS}$  initiate conversions that are driven by SCLK. The conversion result is available at DOUT in unipolar serial format. The serial data stream consists of eight zeros followed by the data bits (MSB first). Figure 3 shows the interface timing diagram.

### Analog Input

Figure 5 illustrates the input sampling architecture of the ADC. The voltage applied at REF sets the full-scale input voltage.

### Track-and-Hold (T/H)

In track mode, the analog signal is acquired on the internal hold capacitor. In hold mode, the T/H switches open and the capacitive DAC samples the analog input.

During the acquisition, the analog input (AIN) charges capacitor  $C_{DAC}$ . The acquisition interval ends on the falling edge of the sixth clock cycle (Figure 6). At this instant, the T/H switches open. The retained charge on  $C_{DAC}$  represents a sample of the input.

In hold mode, the capacitive digital-to-analog converter (DAC) adjusts during the remainder of the conversion cycle to restore node ZERO to zero within the limits of 16-bit resolution. At the end of the conversion, force  $\overline{CS}$  high and then low to reset the input side of the  $C_{DAC}$  switches back to AIN, and charge  $C_{DAC}$  to the input signal again.

The time required for the T/H to acquire an input signal is a function of how quickly its input capacitance is charged. If the input signal's source impedance is high, the acquisition time lengthens and more time must be allowed between conversions. The acquisition time ( $t_{ACQ}$ ) is the maximum time the device takes to acquire the signal. Use the following formula to calculate acquisition time:

$$t_{ACQ} = 13(R_S + R_{IN}) \times 35pF$$

where  $R_{IN} = 800\Omega$ ,  $R_S$  = the input signal's source impedance, and  $t_{ACQ}$  is never less than 1.1µs. A source impedance less than 1kΩ does not significantly affect the ADC's performance.

To improve the input signal bandwidth under AC conditions, drive AIN with a wideband buffer (>4MHz) that can drive the ADC's input capacitance and settle quickly.

# 16-Bit, +5V, 200ksp/s ADC with 10µA Shutdown

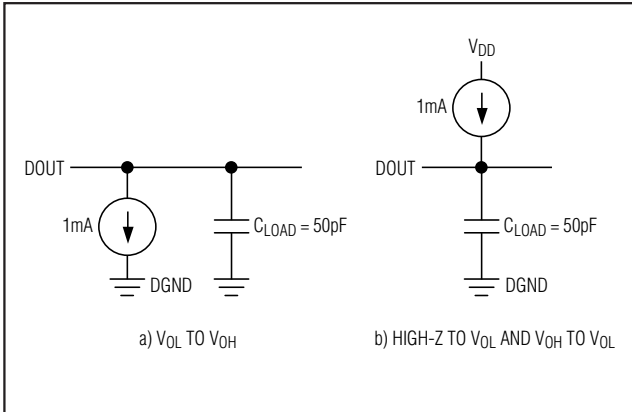


Figure 1. Load Circuits for DOUT Enable Time and SCLK to DOUT Delay Time

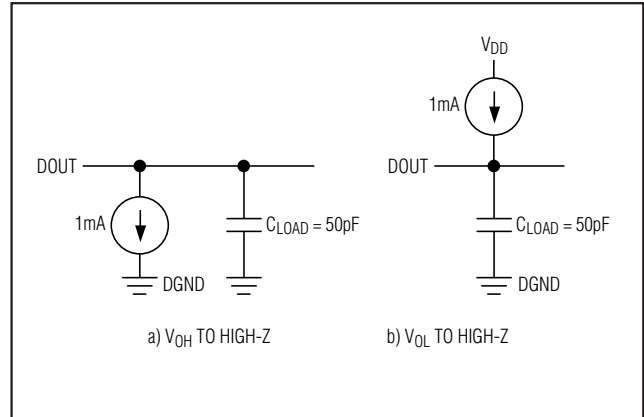


Figure 2. Load Circuits for DOUT Disable Time

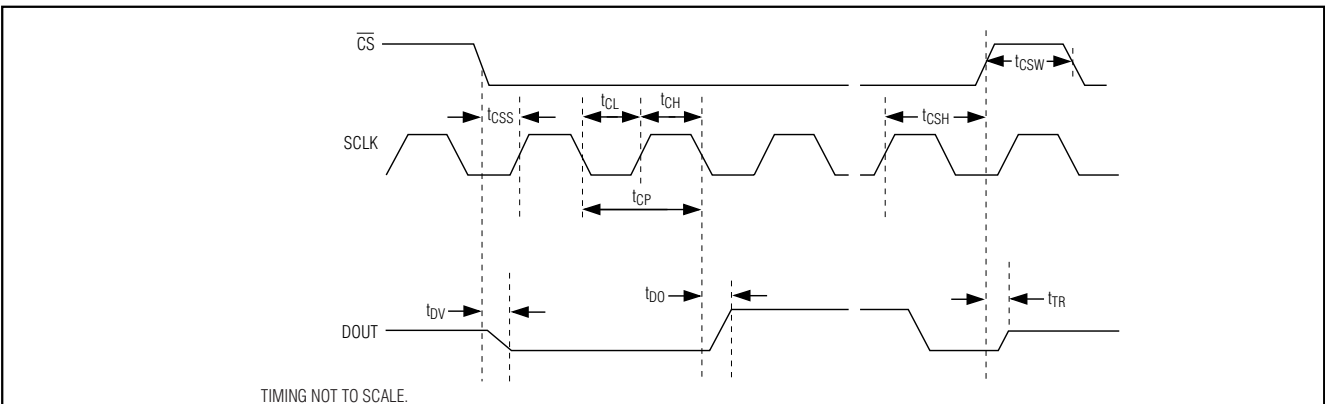


Figure 3. Detailed Serial Interface Timing

### Input Bandwidth

The ADC's input tracking circuitry has a 4MHz small-signal bandwidth, so it is possible to digitize high-speed transient events and measure periodic signals with bandwidths exceeding the ADC's sampling rate by using undersampling techniques. To avoid aliasing of unwanted high-frequency signals into the frequency band of interest, use anti-alias filtering.

### Analog Input Protection

Internal protection diodes, which clamp the analog input to AVDD or AGND, allow the input to swing from AGND - 0.3V to AVDD + 0.3V, without damaging the device.

If the analog input exceeds 300mV beyond the supplies, limit the input current to 10mA.

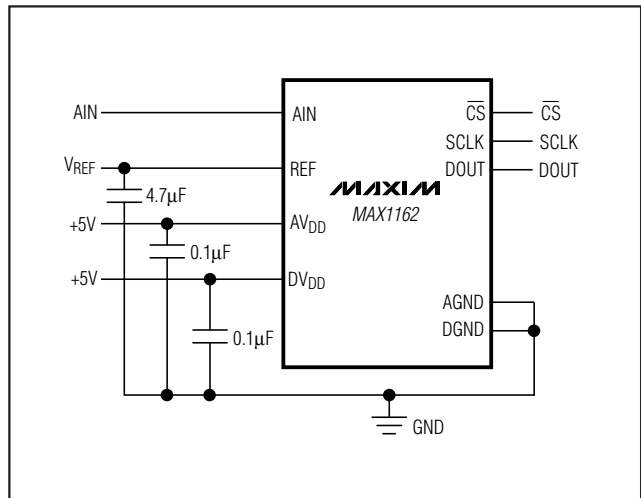


Figure 4. Typical Operating Circuit



# 16-Bit, +5V, 200ksp/s ADC with 10µA Shutdown

MAX1162

## Digital Interface

### Initialization after Power-Up and Starting a Conversion

The digital interface consists of two inputs, SCLK and CS, and one output, DOUT. A logic high on CS places the MAX1162 in shutdown (AutoShutdown) and places DOUT in a high-impedance state. A logic low on CS places the MAX1162 in the fully powered mode.

To start a conversion, pull CS low. A falling edge on CS initiates an acquisition. SCLK drives the A/D conversion and shifts out the conversion results (MSB first) at DOUT.

### Timing and Control

Conversion-start and data-read operations are controlled by the CS and SCLK digital inputs (Figures 6 and 7). Ensure that the duty cycle on SCLK is between 40% and 60% at 4.8MHz (the maximum clock frequency). For lower clock frequencies, ensure that the minimum high and low times are at least 65ns. Conversions with SCLK rates less than 100kHz can result in reduced accuracy due to leakage.

**Note: Coupling between SCLK and the analog inputs (AIN and REF) may result in an offset. Variations in frequency, duty cycle, or other aspects of the clock signal's shape result in changing offset.**

A CS falling edge initiates an acquisition sequence. The analog input is stored in the capacitive DAC, DOUT changes from high impedance to logic low, and the ADC begins to convert after the sixth clock cycle. SCLK drives the conversion process and shifts out the conversion result on DOUT.

SCLK begins shifting out the data (MSB first) after the falling edge of the 8th SCLK pulse. Twenty-four falling

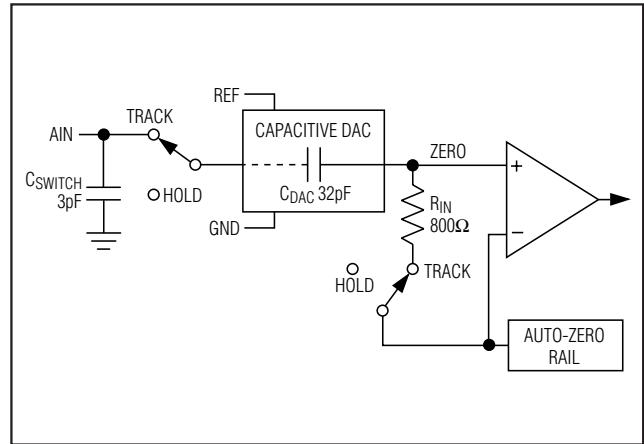


Figure 5. Equivalent Input Circuit

clock edges are needed to shift out the eight leading zeros and 16 data bits. Extra clock pulses occurring after the conversion result has been clocked out, and prior to the rising edge of CS, produce trailing zeros at DOUT and have no effect on the converter operation.

Force CS high after reading the conversion's LSB to reset the internal registers and place the MAX1162 in shutdown. For maximum throughput, force CS low again to initiate the next conversion immediately after the specified minimum time (t<sub>CSW</sub>).

**Note: Forcing CS high in the middle of a conversion immediately aborts the conversion and places the MAX1162 in shutdown.**

## Output Coding and Transfer Function

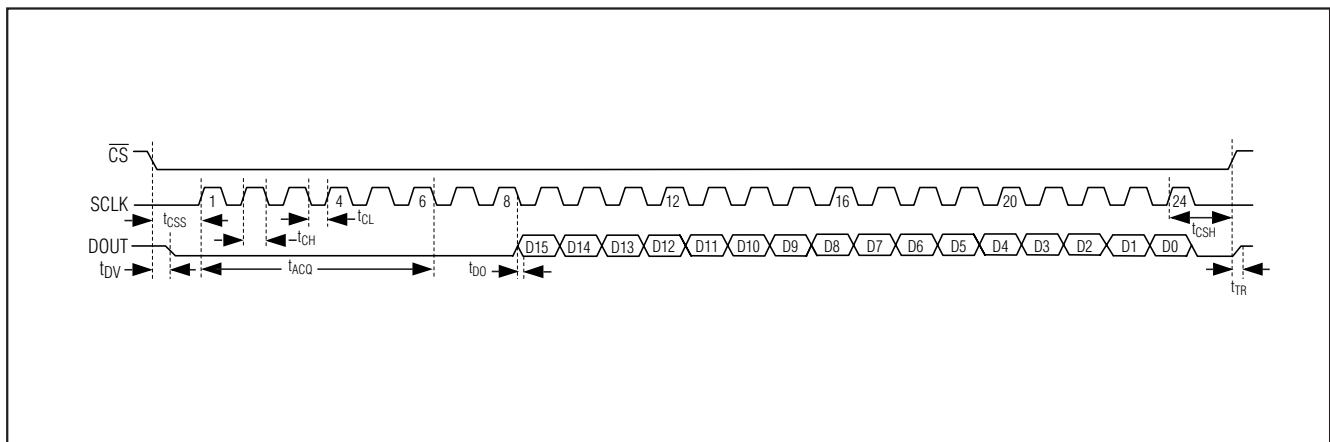


Figure 6. External Timing Diagram

# 16-Bit, +5V, 200ksps ADC with 10 $\mu$ A Shutdown

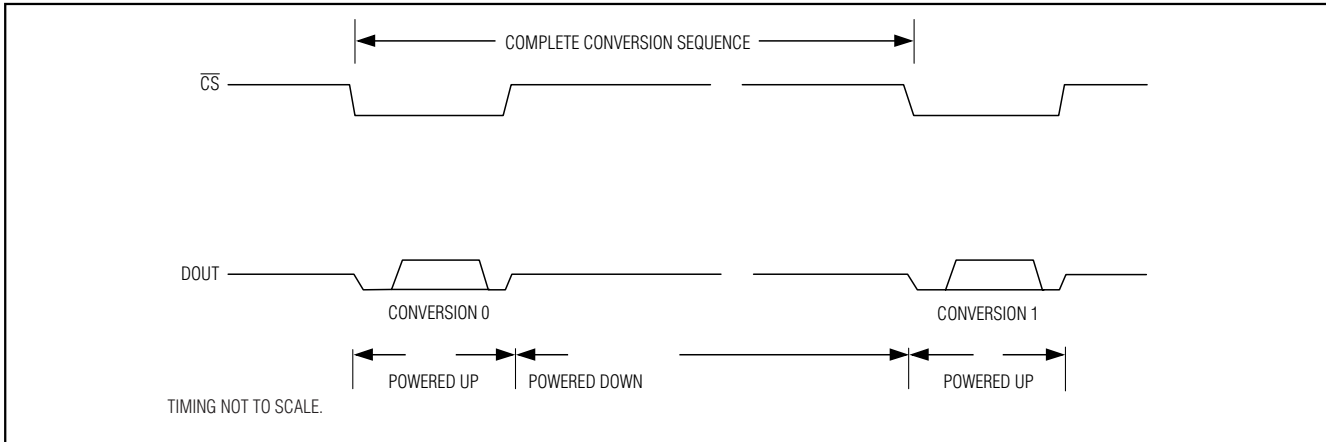


Figure 7. Shutdown Sequence

The data output from the MAX1162 is binary and Figure 8 depicts the nominal transfer function. Code transitions occur halfway between successive-integer LSB values ( $V_{REF} = 4.096V$  and  $1LSB = 63\mu V$  or  $4.096V/65536$ ).

## Applications Information

### External Reference

The MAX1162 requires an external reference with a +3.8V and  $AV_{DD}$  voltage range. Connect the external reference directly to REF. Bypass REF to AGND (pin 3) with a 4.7 $\mu F$  capacitor. When not using a low-ESR bypass capacitor, use a 0.1 $\mu F$  ceramic capacitor in parallel with the 4.7 $\mu F$  capacitor. Noise on the reference degrades conversion accuracy.

The input impedance at REF is 40k $\Omega$  for DC currents. During a conversion the external reference at REF must deliver 100 $\mu A$  of DC load current and have an output impedance of 10 $\Omega$  or less.

For optimal performance, buffer the reference through an op amp and bypass the REF input. Consider the MAX1162's equivalent input noise (38 $\mu V_{RMS}$ ) when choosing a reference.

### Input Buffer

Most applications require an input buffer amplifier to achieve 16-bit accuracy. If the input signal is multiplexed, switch the input channel immediately after acquisition, rather than near the end of or after a conversion (Figure 9). This allows the maximum time for the input buffer amplifier to respond to a large step change in the input signal. The input amplifier must have a slew rate of at least 2V/ $\mu s$  to complete the required output voltage change before the beginning of the acquisition time.

At the beginning of the acquisition, the internal sampling capacitor array connects to AIN (the amplifier output),

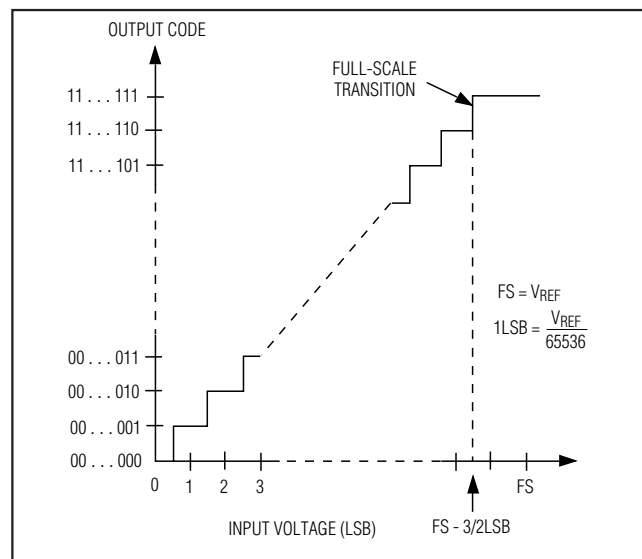


Figure 8. Unipolar Transfer Function, Full Scale (FS) =  $V_{REF}$ . Zero Scale (ZS) = GND

causing some output disturbance. Ensure that the sampled voltage has settled before the end of the acquisition time.

### Digital Noise

Digital noise can couple to AIN and REF. The conversion clock (SCLK) and other digital signals active during input acquisition contribute noise to the conversion result. Noise signals synchronous with the sampling interval result in an effective input offset. Asynchronous signals produce random noise on the input, whose high-frequency components can be aliased into the frequency band of interest. Minimize noise by presenting a low impedance (at the frequencies contained in the

# 16-Bit, +5V, 200ksp/s ADC with 10 $\mu$ A Shutdown

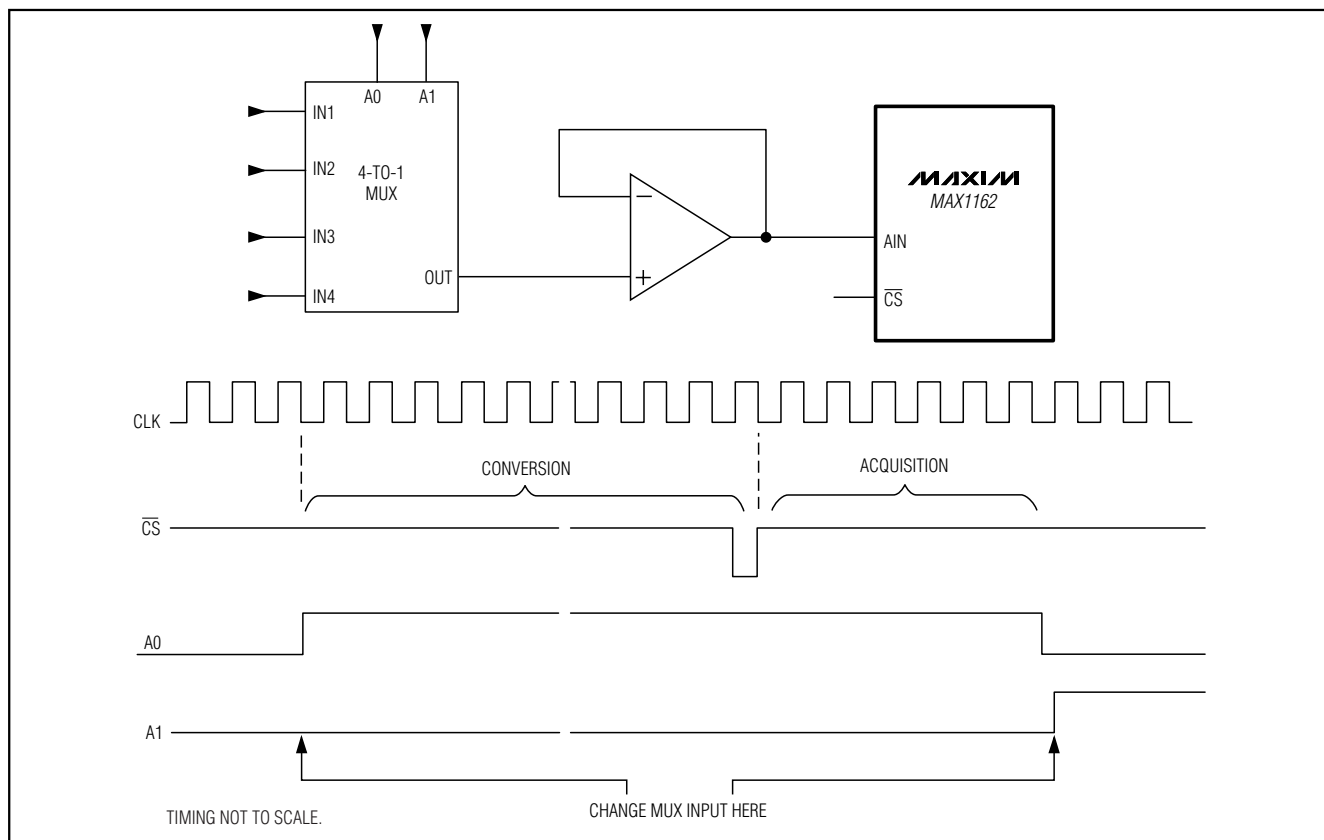


Figure 9. Change Multiplexer Input Near Beginning of Conversion to Allow Time for Slewing and Settling

noise signal) at the inputs. This requires bypassing AIN to AGND, or buffering the input with an amplifier that has a small-signal bandwidth of several MHz, or preferably both. AIN has 4MHz (typ) of bandwidth.

### Distortion

Avoid degrading dynamic performance by choosing an amplifier with distortion much less than the MAX1162's total harmonic distortion (THD = -102dB at 1kHz) at frequencies of interest. If the chosen amplifier has insufficient common-mode rejection, which results in degraded THD performance, use the inverting configuration (positive input grounded) to eliminate errors from this source. Low temperature-coefficient, gain-setting resistors reduce linearity errors caused by resistance changes due to self-heating. To reduce linearity errors due to finite amplifier gain, use amplifier circuits with sufficient loop gain at the frequencies of interest.

### DC Accuracy

To improve DC accuracy, choose a buffer with an offset much less than the MAX1162's offset (1mV (max) for +5V supply), or whose offset can be trimmed while maintaining stability over the required temperature range.

### Serial Interfaces

The MAX1162's interface is fully compatible with SPI, QSPI, and MICROWIRE standard serial interfaces.

If a serial interface is available, establish the CPU's serial interface as master, so that the CPU generates the serial clock for the MAX1162. Select a clock frequency between 100kHz and 4.8MHz:

- 1) Use a general-purpose I/O line on the CPU to pull  $\overline{CS}$  low.
- 2) Activate SCLK for a minimum of 24 clock cycles. The serial data stream of eight leading zeros followed by the MSB of the conversion result begins at the falling edge of  $\overline{CS}$ . DOUT transitions on SCLK's falling edge and the output is available in MSB-first

# 16-Bit, +5V, 200ksp/s ADC with 10µA Shutdown

format. Observe the SCLK to DOUT valid timing characteristic. Clock data into the µP on SCLK's rising edge.

- 3) Pull  $\overline{CS}$  high at or after the 24th falling clock edge. If  $\overline{CS}$  remains low, trailing zeros are clocked out after the least significant bit (D0 = LSB).
- 4) With  $\overline{CS}$  high, wait at least 50ns ( $t_{CSW}$ ) before starting a new conversion by pulling  $\overline{CS}$  low. A conversion can be aborted by pulling  $\overline{CS}$  high before the conversion ends. Wait at least 50ns before starting a new conversion.

Data can be output in three 8-bit sequences or continuously. The bytes contain the results of the conversion padded with eight leading zeros before the MSB. If the serial clock has not been idled after the LSB (D0) and  $\overline{CS}$  has been kept low, DOUT sends trailing zeros.

## SPI and MICROWIRE Interfaces

When using the SPI (Figure 10a) or MICROWIRE (Figure 10b) interfaces, set CPOL = 0 and CPHA = 0. Conversion begins with a falling edge on  $\overline{CS}$  (Figure 10c). Three consecutive 8-bit readings are necessary to obtain the entire 16-bit result from the ADC. DOUT data transitions on the serial clock's falling edge. The first 8-bit data stream contains all leading zeros. The second 8-bit data stream contains the MSB through D8. The third 8-bit data stream contains D7 through D0.

## QSPI Interface

Using the high-speed QSPI interface with CPOL = 0 and CPHA = 0, the MAX1162 supports a maximum fSCLK of 4.8MHz. Figure 11a shows the MAX1162 connected to a QSPI master and Figure 11b shows the associated interface timing.

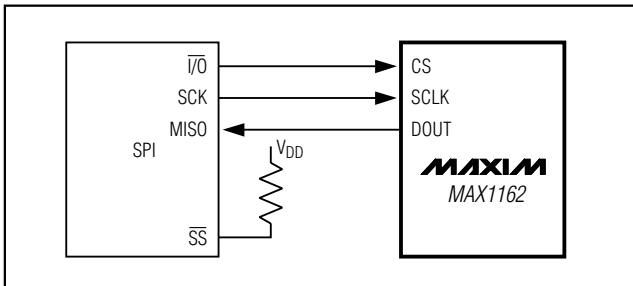


Figure 10a. SPI Connections

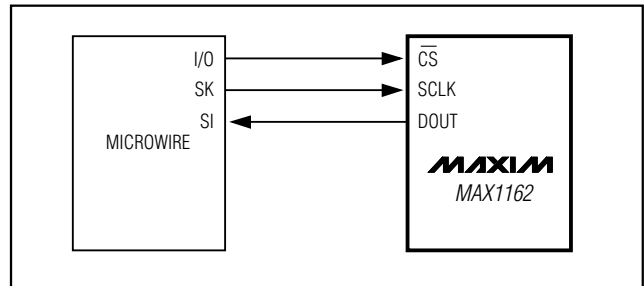


Figure 10b. MICROWIRE Connections

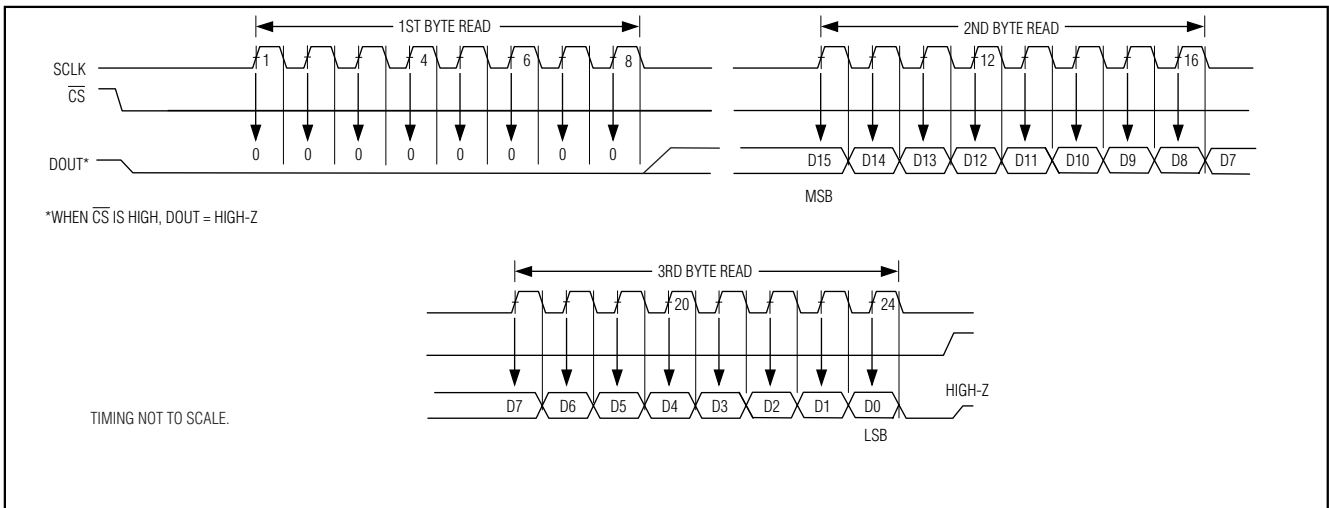


Figure 10c. SPI/MICROWIRE Interface Timing Sequence (CPOL = CPHA = 0)

# 16-Bit, +5V, 200ksp/s ADC with 10µA Shutdown

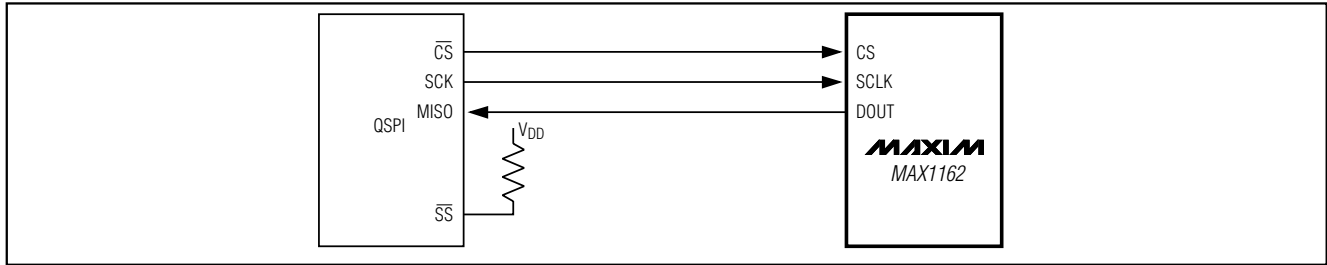


Figure 11a. QSPI Connections

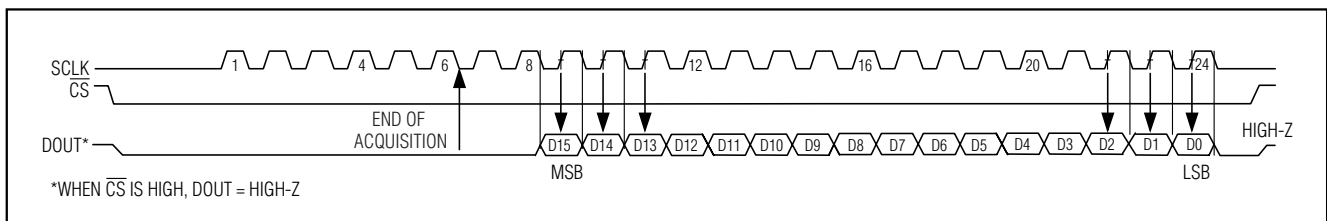


Figure 11b. QSPI Interface Timing Sequence (CPOL = CPHA = 0)

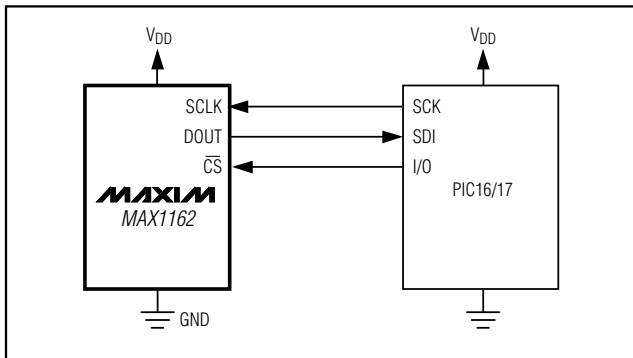


Figure 12a. SPI Interface Connection for a PIC16/PIC17

## PIC16 with SSP Module and PIC17 Interface

The MAX1162 is compatible with a PIC16/PIC17 microcontroller ( $\mu\text{C}$ ) using the synchronous serial-port (SSP) module.

To establish SPI communication, connect the controller as shown in Figure 12a. Configure the PIC16/PIC17 as system master, by initializing its synchronous serial-port control register (SSPCON) and synchronous serial-port status register (SSPSTAT) to the bit patterns shown in Tables 1 and 2.

In SPI mode, the PIC16/PIC17  $\mu\text{C}$  allows 8 bits of data to be synchronously transmitted and received simulta-

Table 1. Detailed SSPCON Register Contents

CONTROL BIT		MAX1162 SETTINGS	SYNCHRONOUS SERIAL-PORT CONTROL REGISTER (SSPCON)
WCOL	BIT7	X	Write Collision Detect Bit
SSPOV	BIT6	X	Receive Overflow Detect Bit
SSPEN	BIT5	1	Synchronous Serial-Port Enable Bit: 0: Disables serial port and configures these pins as I/O port pins. 1: Enables serial port and configures SCK, SDO, and SCI pins as serial port pins.
CKP	BIT4	0	Clock Polarity Select Bit. CKP = 0 for SPI master mode selection.
SSPM3	BIT3	0	Synchronous Serial-Port Mode Select Bit. Sets SPI master mode and selects $f_{\text{CLK}} = f_{\text{OSC}} / 16$ .
SSPM2	BIT2	0	
SSPM1	BIT1	0	
SSPM0	BIT0	1	

X = Don't care.

# 16-Bit, +5V, 200ksp/s ADC with 10µA Shutdown

**Table 2. Detailed SSPSTAT Register Contents**

CONTROL BIT		MAX1162 SETTINGS	SYNCHRONOUS SERIAL-PORT CONTROL REGISTER (SSPSTAT)
SMP	BIT7	0	SPI Data Input Sample Phase. Input data is sampled at the middle of the data output time.
CKE	BIT6	1	SPI Clock Edge Select Bit. Data is transmitted on the rising edge of the serial clock.
D/A	BIT5	X	Data Address Bit
P	BIT4	X	Stop Bit
S	BIT3	X	Start Bit
R/W	BIT2	X	Read/Write Bit Information
UA	BIT1	X	Update Address
BF	BIT0	X	Buffer Full Status Bit

X = Don't care.

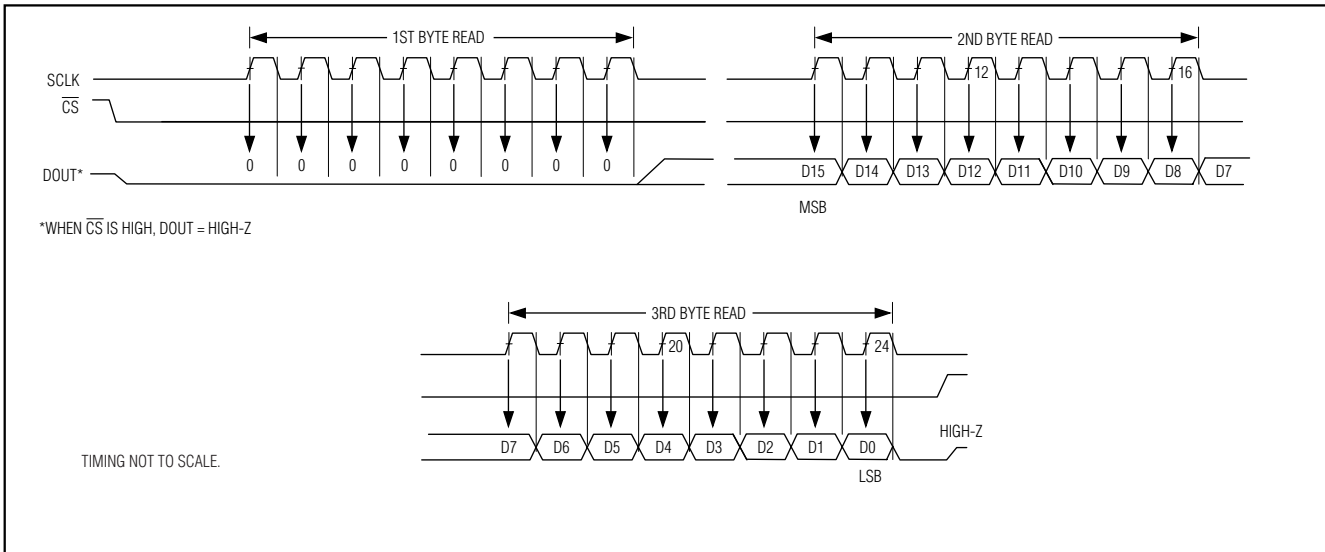


Figure 12b. SPI Interface Timing with PIC16/PIC17 in Master Mode (CKE = 1, CKP = 0, SMP = 0, SSPM3 - SSPM0 = 0001)

neously. Three consecutive 8-bit readings (Figure 12b) are necessary to obtain the entire 16-bit result from the ADC. DOUT data transitions on the serial clock's falling edge and is clocked into the µC on SCLK's rising edge. The first 8-bit data stream contains all zeros. The second 8-bit data stream contains the MSB through D8. The third 8-bit data stream contains bits D7 through D0.

### Definitions

#### Integral Nonlinearity

Integral nonlinearity (INL) is the deviation of the values on an actual transfer function from a straight line. This straight line can be either a best-fit straight line fit or a line drawn between the endpoints of the transfer func-

tion, once offset and gain errors have been nulled. The static linearity parameters for the MAX1162 are measured using the endpoint method.

#### Differential Nonlinearity

Differential nonlinearity (DNL) is the difference between an actual step width and the ideal value of 1LSB. A DNL error specification of 1LSB guarantees no missing codes and a monotonic transfer function.

#### Aperture Definitions

Aperture jitter ( $t_{AJ}$ ) is the sample-to-sample variation in the time between samples. Aperture delay ( $t_{AD}$ ) is the time between the falling edge of the sampling clock and the instant when the actual sample is taken.

# 16-Bit, +5V, 200ksps ADC with 10µA Shutdown

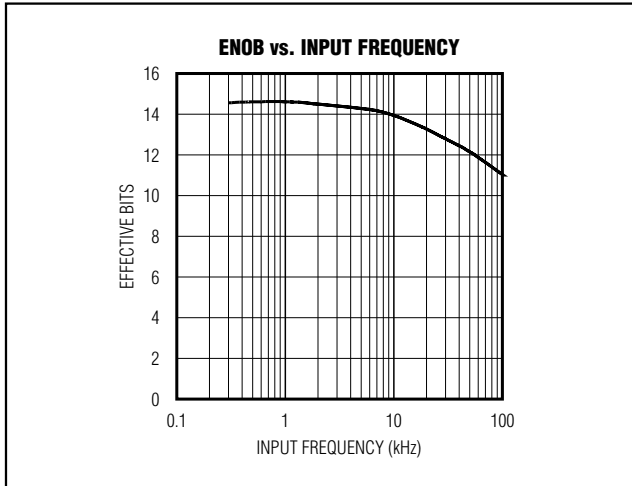


Figure 13. Effective Number of Bits vs. Input Frequency

### Signal-to-Noise Ratio

For a waveform perfectly reconstructed from digital samples, signal-to-noise ratio (SNR) is the ratio of the full-scale analog input (RMS value) to the RMS quantization error (residual error). The ideal, theoretical minimum analog-to-digital noise is caused by quantization noise error only and results directly from the ADCs resolution (N bits):

$$SNR = (6.02 \times N + 1.76)dB$$

In reality, there are other noise sources besides quantization noise: thermal noise, reference noise, clock jitter, etc. SNR is computed by taking the ratio of the RMS signal to the RMS noise, which includes all spectral components minus the fundamental, the first five harmonics, and the DC offset.

### Signal-to-Noise Plus Distortion

Signal-to-noise plus distortion (SINAD) is the ratio of the fundamental input frequency's RMS amplitude to the RMS equivalent of all the other ADC output signals, excluding the DC offset.

$$SINAD(dB) = 20 \times \log \left[ \frac{Signal_{RMS}}{(Noise + Distortion)_{RMS}} \right]$$

### Effective Number of Bits

Effective number of bits (ENOB) indicate the global accuracy of an ADC at a specific input frequency and sampling rate. An ideal ADC error consists of quantization noise only. With an input range equal to the full-scale range of the ADC, calculate the effective number of bits as follows:

$$ENOB = (SINAD - 1.76) / 6.02$$

Figure 13 shows the effective number of bits as a function of the MAX1162's input frequency.

### Total Harmonic Distortion

Total harmonic distortion (THD) is the ratio of the RMS sum of the first five harmonics of the input signal to the fundamental itself. This is expressed as:

$$THD = 20 \times \log \left[ \frac{\sqrt{V_2^2 + V_3^2 + V_4^2 + V_5^2}}{V_1} \right]$$

where  $V_1$  is the fundamental amplitude and  $V_2$  through  $V_5$  are the 2nd- through 5th-order harmonics.

### Spurious-Free Dynamic Range

Spurious-free dynamic range (SFDR) is the ratio of the RMS amplitude of the fundamental (maximum signal component) to the RMS value of the next largest frequency component.

### Supplies, Layout, Grounding, and Bypassing

Use PC boards with separate analog and digital ground planes. Do not use wire-wrap boards. Connect the two ground planes together at the MAX1162 (pin 3). Isolate the digital supply from the analog with a low-value resistor (10Ω) or ferrite bead when the analog and digital supplies come from the same source (Figure 14).

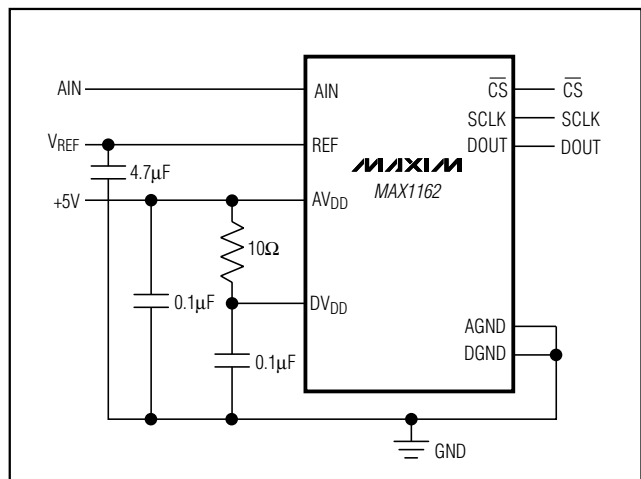


Figure 14. Powering AVDD and DVDD from a Single Supply

## 16-Bit, +5V, 200ksps ADC with 10 $\mu$ A Shutdown

Constraints on sequencing the power supplies and inputs are as follows:

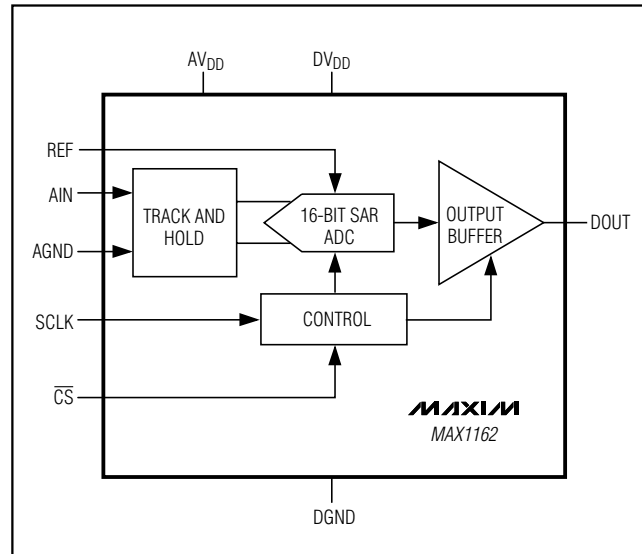
- Apply AGND before DGND.
- Apply AIN and REF after AV<sub>DD</sub> and AGND are present.
- DV<sub>DD</sub> is independent of the supply sequencing.

Ensure that digital return currents do not pass through the analog ground and that return-current paths are low impedance. A 5mA current flowing through a PC board ground trace impedance of only 0.05 $\Omega$  creates an error voltage of about 250 $\mu$ V, 4LSB error with a +4V full-scale system.

The board layout should ensure that digital and analog signal lines are kept separate. Do not run analog and digital (especially the SCLK and DOUT) lines parallel to one another. If one must cross another, do so at right angles.

The ADC's high-speed comparator is sensitive to high-frequency noise on the AV<sub>DD</sub> power supply. Bypass an excessively noisy supply to the analog ground plane with a 0.1 $\mu$ F capacitor in parallel with a 1 $\mu$ F to 10 $\mu$ F low-ESR capacitor. Keep capacitor leads short for best supply-noise rejection.

### Functional Diagram



### Chip Information

TRANSISTOR COUNT: 12,100

PROCESS: BiCMOS

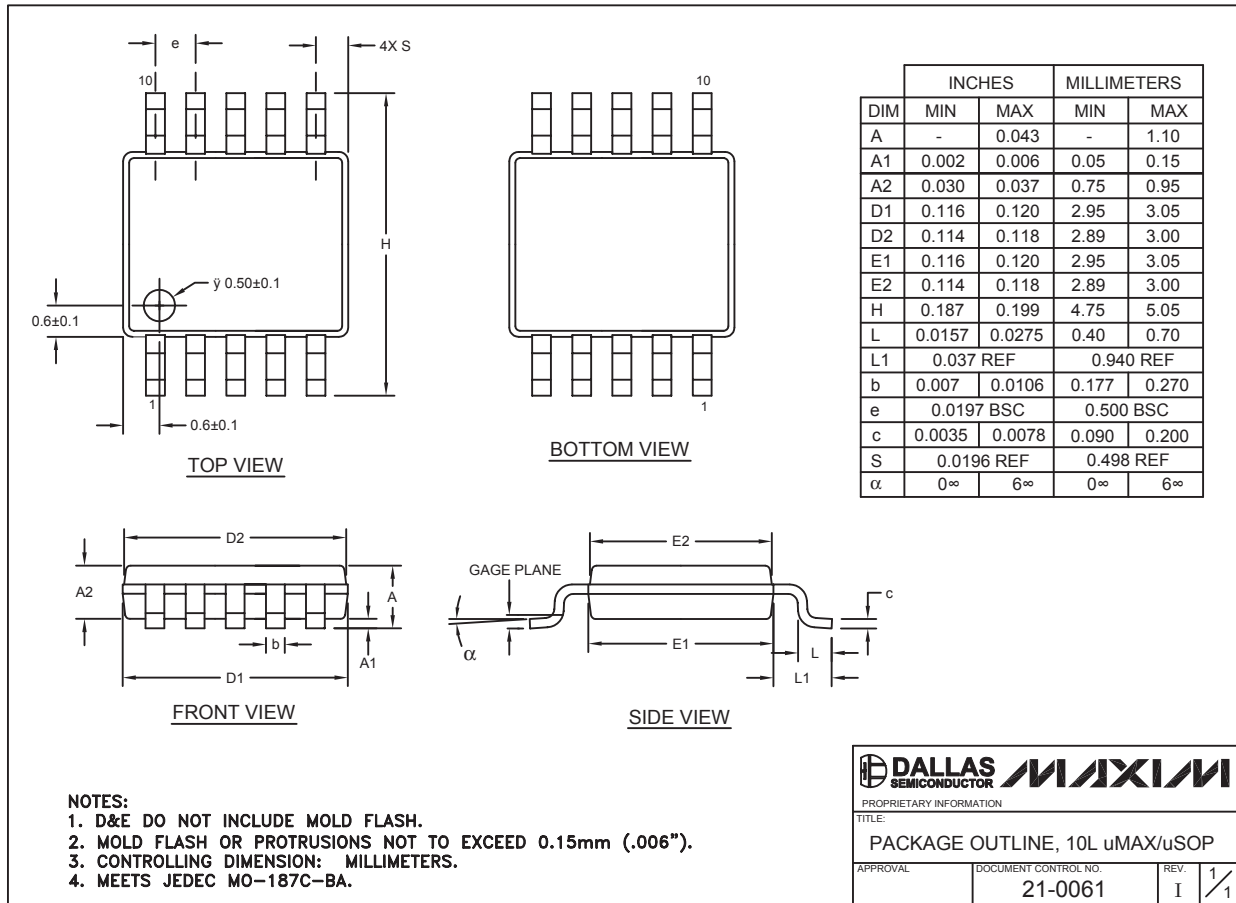


# 16-Bit, +5V, 200ksp/s ADC with 10µA Shutdown

## Package Information

(The package drawing(s) in this data sheet may not reflect the most current specifications. For the latest package outline information, go to [www.maxim-ic.com/packages](http://www.maxim-ic.com/packages).)

**MAX1162**



Note: Contact factory for DFN package outline.

Maxim cannot assume responsibility for use of any circuitry other than circuitry entirely embodied in a Maxim product. No circuit patent licenses are implied. Maxim reserves the right to change the circuitry and specifications without notice at any time.

Maxim Integrated Products, 120 San Gabriel Drive, Sunnyvale, CA 94086 408-737-7600 17