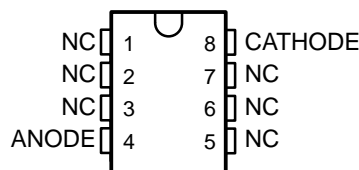


LM185-2.5, LM285-2.5, LM385-2.5, LM385B-2.5, LM385Y-2.5 MICROPOWER VOLTAGE REFERENCES

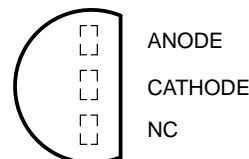
SLVS023D – JANUARY 1989 – REVISED OCTOBER 1995

- Operating Current Range . . . 20 μ A to 20 mA
- 1.5% and 3% Initial Voltage Tolerance
- Reference Impedance
 - LM185 . . . 0.6 Ω Max at 25°C
 - LM385 . . . 1 Ω Max at 25°C
 - All Devices . . . 1.5 Ω Max Over Full Temperature Range
- Very Low Power Consumption
- Applications:
 - Portable Meter References
 - Portable Test Instruments
 - Battery-Operated Systems
 - Current-Loop Instrumentation
 - Panel Meters
- Designed to be Interchangeable With National LM185-2.5, LM285-2.5, and LM385-2.5

D PACKAGE
(TOP VIEW)



LP PACKAGE
(TOP VIEW)



NC—No internal connection

symbol



description

These micropower two-terminal band-gap voltage references operate over a 20- μ A to 20-mA current range and feature exceptionally low dynamic impedance and good temperature stability. On-chip trimming provides tight voltage tolerance. The LM185-2.5 series band-gap reference has low noise and long-term stability.

The LM185-2.5 series design makes these devices exceptionally tolerant of capacitive loading and thus easier to use in most reference applications. The wide dynamic operating temperature range accommodates varying current supplies with excellent regulation.

The extremely low power drain of the LM185-2.5 series makes them useful for micropower circuitry. These voltage references can make portable meters, regulators, or general-purpose analog circuitry with battery life approaching shelf life. The wide operating current range allows them to replace older references with tighter tolerance parts.

The LM385-2.5 and LM385B-2.5 are characterized for operation from 0°C to 70°C. The LM285-2.5 is characterized for operation from –40°C to 85°C. The LM185-2.5 is characterized for operation over the full military temperature range of –55°C to 125°C.

AVAILABLE OPTIONS

T _A	V _Z TOLERANCE	PACKAGED DEVICES†		CHIP FORM (Y)
		SMALL OUTLINE (D)	PLASTIC (LP)	
0°C to 70°C	3%	LM385D-2.5	LM385LP-2.5	LM385Y-2.5
	1.5%	LM385BD-2.5	LM385BLP-2.5	
–40°C to 85°C	1.5%	LM285D-2.5	LM285LP-2.5	
–55°C to 125°C	1.5%	LM185D-2.5	LM185LP-2.5	

† For ordering purposes, the decimal point in the part number must be replaced with a hyphen (i.e., show the -2.5 suffix as “-2-5”).

The D package is available taped and reeled. Add the suffix R to the device type (e.g., LM385DR-2-5).

PRODUCTION DATA information is current as of publication date. Products conform to specifications per the terms of Texas Instruments standard warranty. Production processing does not necessarily include testing of all parameters.

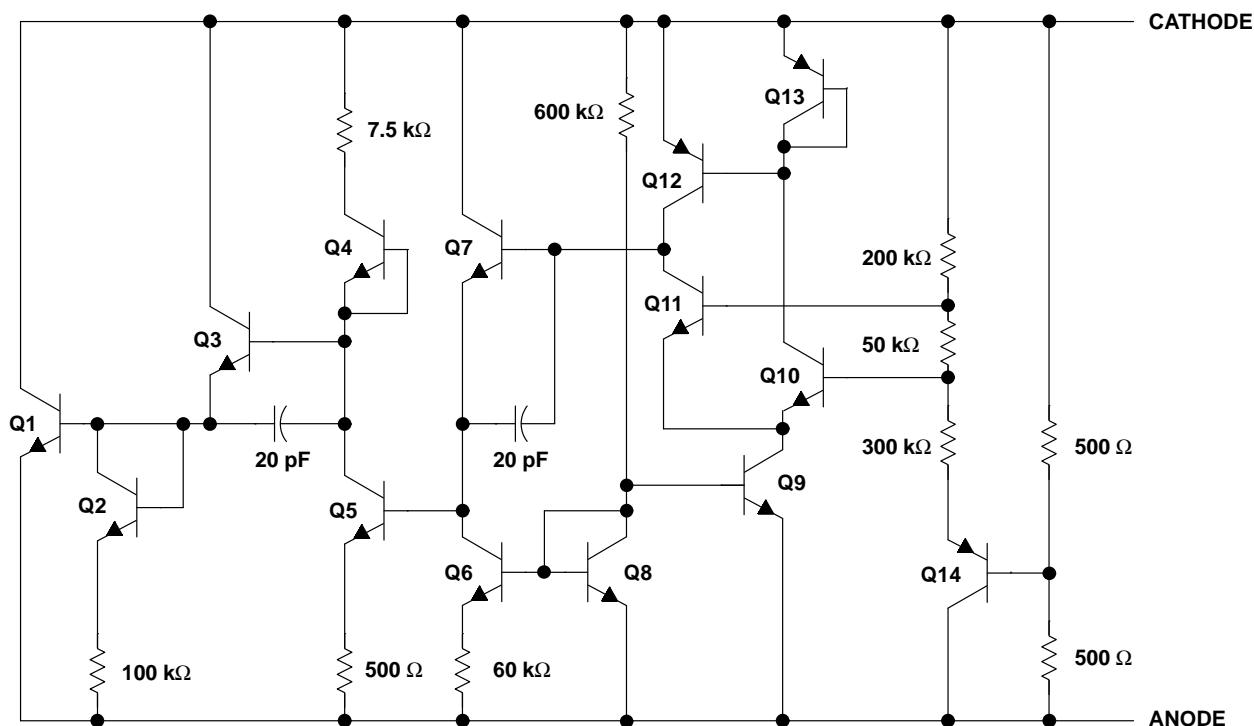


Copyright © 1995, Texas Instruments Incorporated

LM185-2.5, LM285-2.5, LM385-2.5, LM385B-2.5, LM385Y-2.5 MICROPOWER VOLTAGE REFERENCES

SLVS023D – JANUARY 1989 – REVISED OCTOBER 1995

schematic



NOTE A: All component values shown are nominal.

absolute maximum ratings over operating free-air temperature range†

Reverse current, I_R	30 mA
Forward current, I_F	10 mA
Operating free-air temperature range, T_A : LM185-2.5	-55°C to 125°C
LM285-2.5	-40°C to 85°C
LM385-2.5, LM385B-2.5	0°C to 70°C
Storage temperature range, T_{stg}	-65°C to 150°C
Lead temperature 1,6 mm (1/16 inch) from cases for 10 seconds	260°C

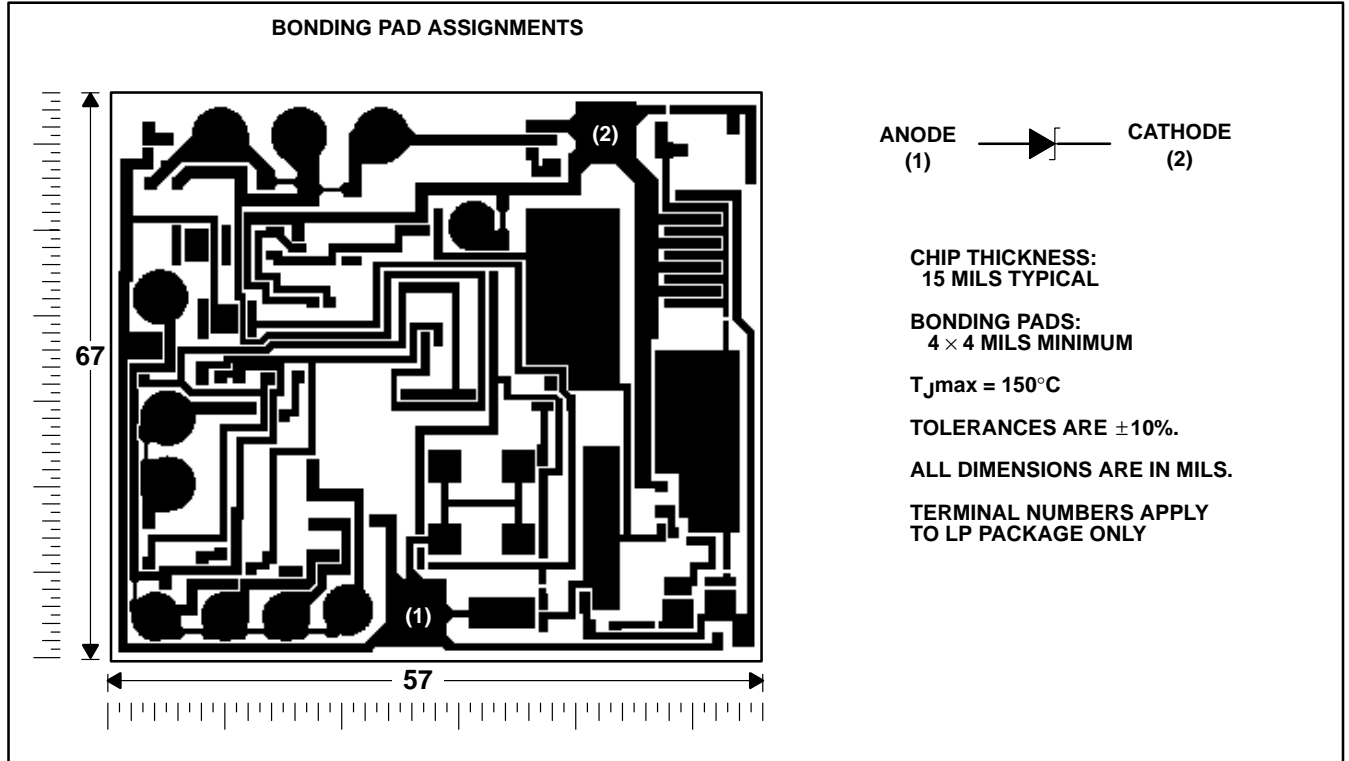
† Stresses beyond those listed under "absolute maximum ratings" may cause permanent damage to the device. These are stress ratings only, and functional operation of the device at these or any other conditions beyond those indicated under "recommended operating conditions" is not implied. Exposure to absolute-maximum-rated conditions for extended periods may affect device reliability.

recommended operating conditions

	MIN	MAX	UNIT
Reference current, I_Z	0.02	20	mA
Operating free-air temperature range, T_A	LM185-2.5	-55	125
	LM285-2.5	-40	85
	LM385-2.5, LM385B-2.5	0	70

LM385Y-2.5 chip information

This chip, when properly assembled, displays characteristics similar to the LM385-2.5 (see electrical tables). Thermal compression or ultrasonic bonding can be used on the doped aluminum bonding pads. The chip can be mounted with conductive epoxy or a gold-silicon preform.



LM185-2.5, LM285-2.5, LM385B-2.5, LM385Y-2.5 MICROPOWER VOLTAGE REFERENCES

SLVS023D – JANUARY 1989 – REVISED OCTOBER 1995

electrical characteristics at specified free-air temperature

PARAMETER	TEST CONDITIONS	T _A †	LM185-2.5 LM285-2.5		LM385-2.5		LM385B-2.5		UNIT			
			MIN	TYP	MAX	MIN	TYP	MAX		MIN	TYP	MAX
V _Z	Reference voltage	25°C	2.462	2.5	2.538	2.425	2.5	2.575	2.462	2.5	2.538	V
α _{VZ}	Average temperature coefficient of reference voltage ‡	25°C	±20		±20		±20		±20		ppm/°C	
ΔV _Z	Change in reference voltage with current	25°C	1		2		2		2		mV	
		Full range	1.5		2		2		2			
		25°C	10		20		20		20			
		Full range	30		30		30		30			
ΔV _Z /Δt	Long-term change in reference voltage	25°C	±20		±20		±20		±20		ppm/khr	
I _{Z(min)}	Minimum reference current	Full range	8		20		8		20		μA	
Z _Z	Reference impedance	25°C	0.2		0.6		0.4		1		Ω	
		Full range	1.5		1.5		1.5		1.5			
V _n	Broadband noise voltage	25°C	120		120		120		120		μV	

† Full range is 0°C to 70°C for the LM385-2.5 and LM385B-2.5, -40°C to 85°C for the LM285-2.5, and -55°C to 125°C for the LM185-2.5.

‡ The average temperature coefficient of reference voltage is defined as the total change in reference voltage divided by the specified temperature range.

LM185-2.5, LM285-2.5, LM385-2.5, LM385B-2.5, LM385Y-2.5 MICROPOWER VOLTAGE REFERENCES

SLVS023D – JANUARY 1989 – REVISED OCTOBER 1995

electrical characteristics at $T_A = 25^\circ\text{C}$

PARAMETER	TEST CONDITIONS	LM385Y-2.5			UNIT
		MIN	TYP	MAX	
V_Z Reference voltage	$I_Z = 20\ \mu\text{A to } 20\ \text{mA}$	2.462	2.5	2.575	V
α_{VZ} Average temperature coefficient of reference voltage [†]	$I_Z = 20\ \mu\text{A to } 20\ \text{mA}$	±20			ppm/°C
$\Delta V_Z/\Delta t$ Long-term change in reference voltage	$I_Z = 100\ \mu\text{A}$	±20			ppm/khr
z_Z Reference impedance	$I_Z = 100\ \mu\text{A}$	0.4	1		Ω
V_n Broadband noise voltage	$I_Z = 100\ \mu\text{A},$ $f = 10\ \text{Hz to } 10\ \text{kHz}$	120			μV

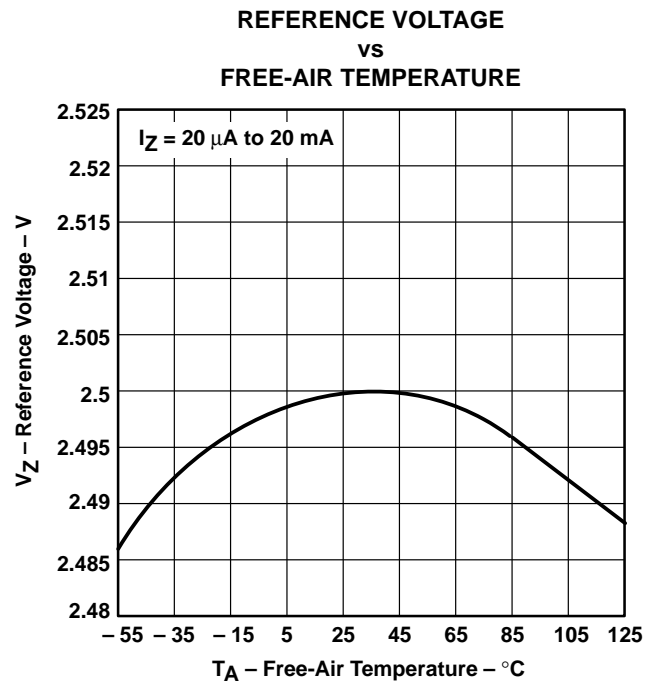
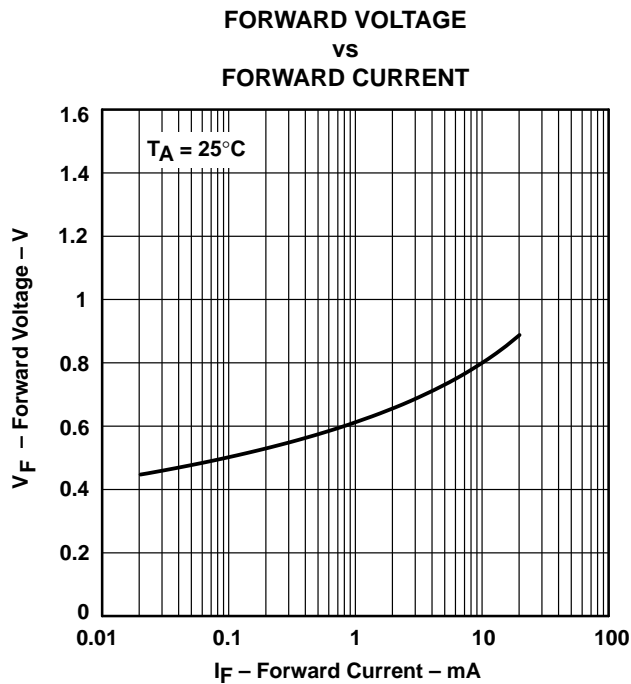
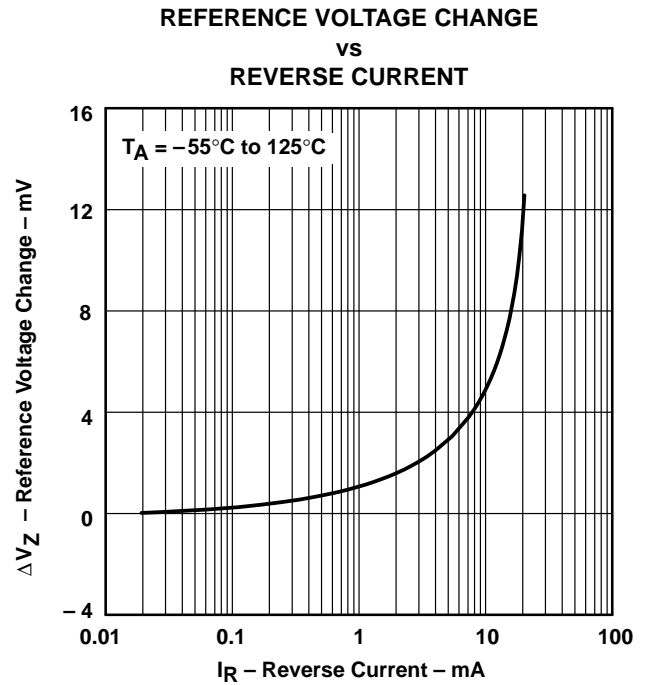
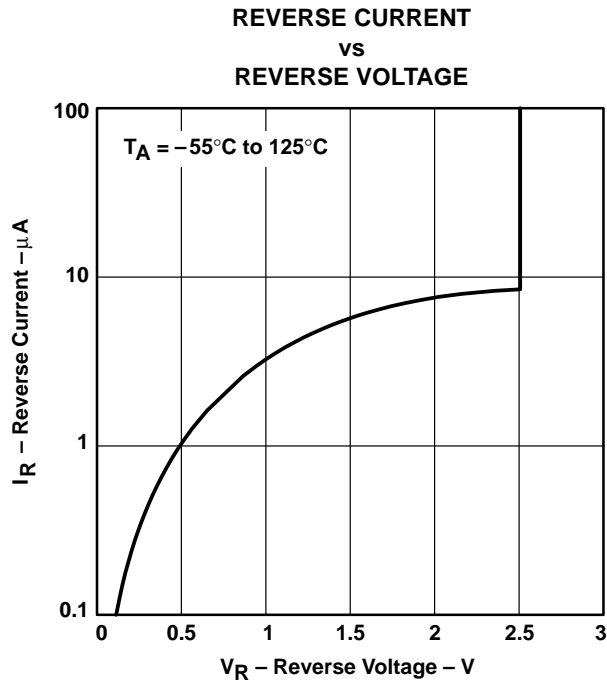
[†] The average temperature coefficient of reference voltage is defined as the total change in reference voltage divided by the specified temperature range.



LM185-2.5, LM285-2.5, LM385-2.5, LM385B-2.5, LM385Y-2.5 MICROPOWER VOLTAGE REFERENCES

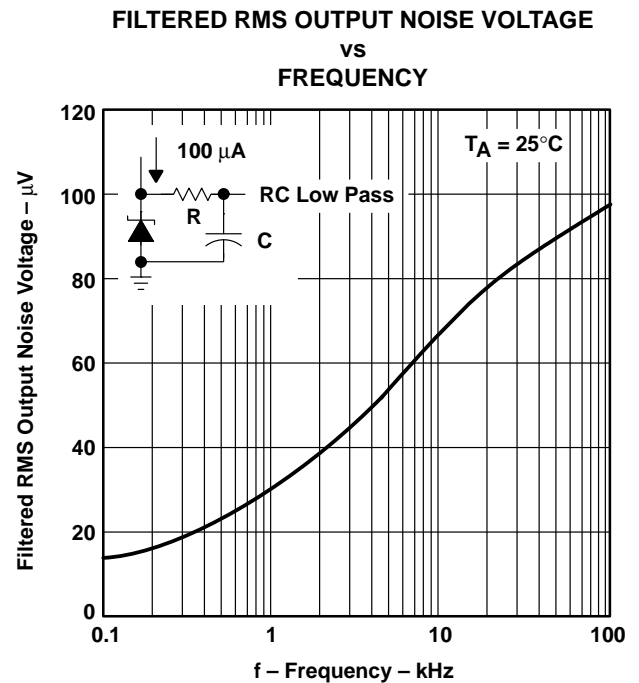
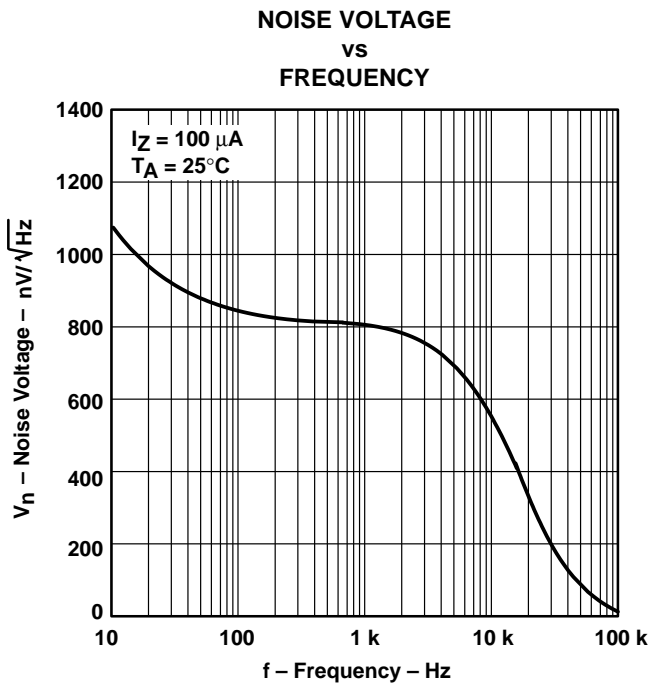
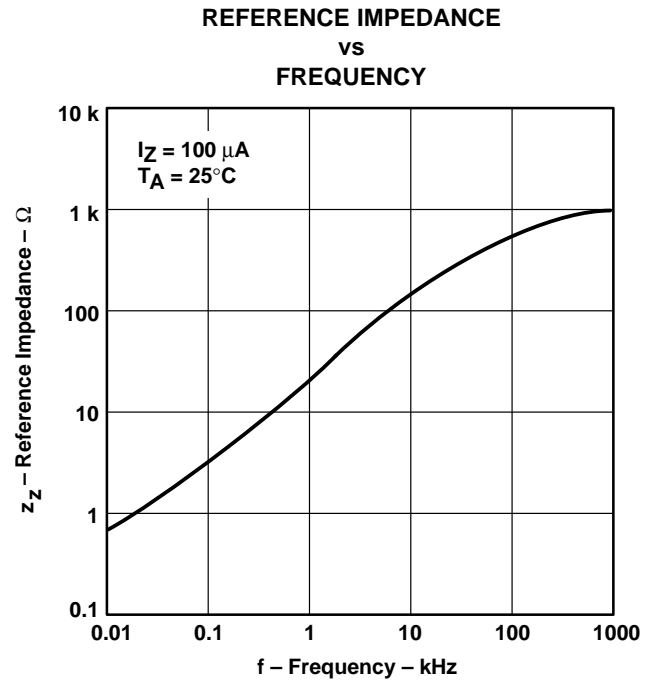
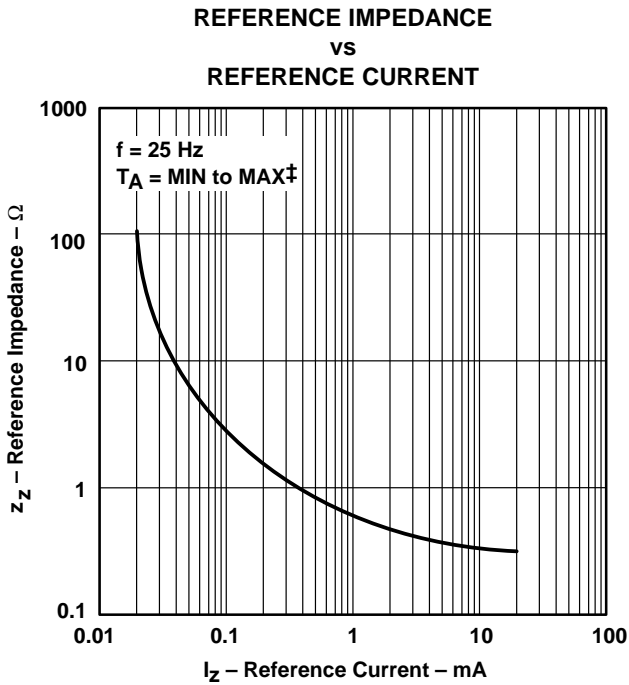
SLVS023D – JANUARY 1989 – REVISED OCTOBER 1995

TYPICAL CHARACTERISTICS†



† Data at high and low temperatures are applicable only within the rated operating free-air temperature ranges of the various devices.

TYPICAL CHARACTERISTICS†



† Data at high and low temperatures are applicable only within the rated operating free-air temperature ranges of the various devices.
‡ For conditions shown as MIN or MAX, use the appropriate value specified under recommended operating conditions.

LM185-2.5, LM285-2.5, LM385-2.5, LM385B-2.5, LM385Y-2.5 MICROPOWER VOLTAGE REFERENCES

SLVS023D – JANUARY 1989 – REVISED OCTOBER 1995

TYPICAL CHARACTERISTICS†

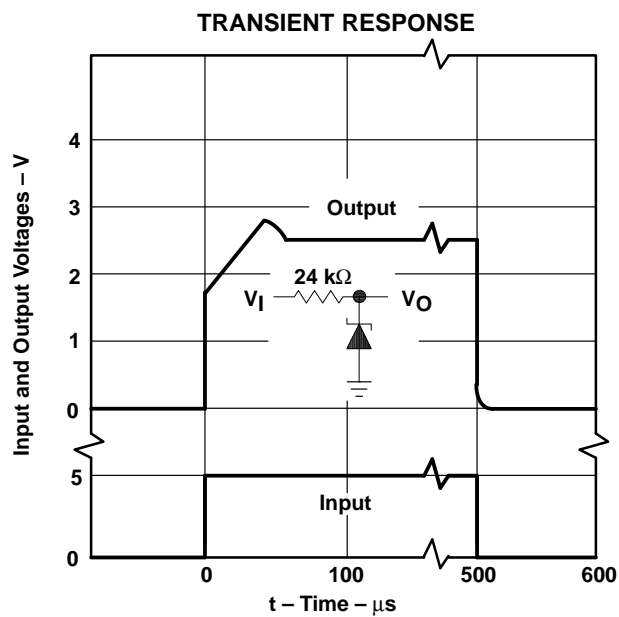
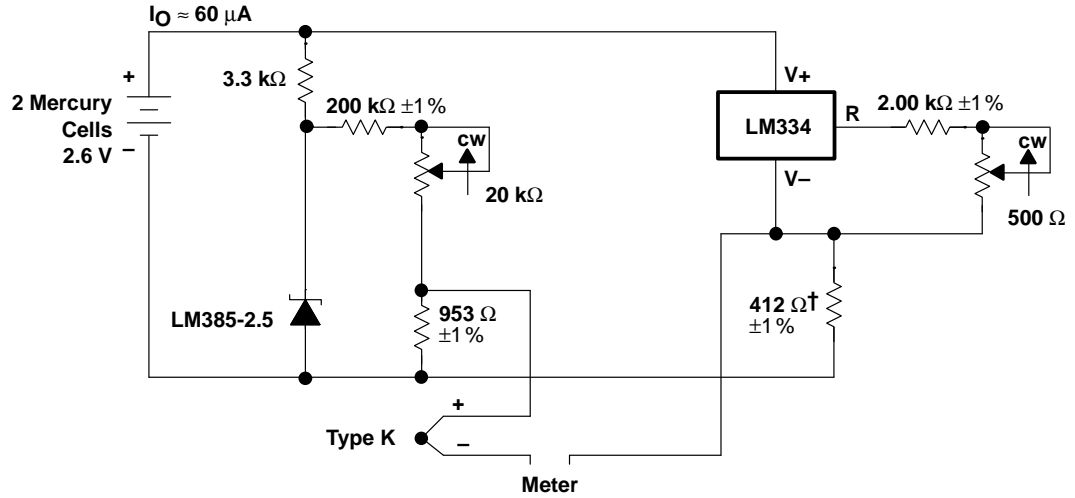


Figure 9

† Data at high and low temperatures are applicable only within the rated operating free-air temperature ranges of the various devices.

APPLICATION INFORMATION



†Adjust for 12.17 mV at 25°C across 412 Ω

Figure 10. Thermocouple Cold-Junction Compensator

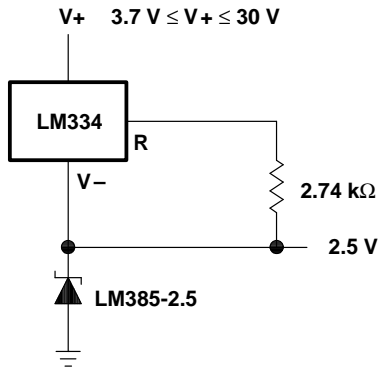


Figure 11. Operation Over a Wide Supply Range

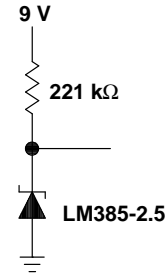


Figure 12. Reference From a 9-V Battery

IMPORTANT NOTICE

Texas Instruments (TI) reserves the right to make changes to its products or to discontinue any semiconductor product or service without notice, and advises its customers to obtain the latest version of relevant information to verify, before placing orders, that the information being relied on is current.

TI warrants performance of its semiconductor products and related software to the specifications applicable at the time of sale in accordance with TI's standard warranty. Testing and other quality control techniques are utilized to the extent TI deems necessary to support this warranty. Specific testing of all parameters of each device is not necessarily performed, except those mandated by government requirements.

Certain applications using semiconductor products may involve potential risks of death, personal injury, or severe property or environmental damage ("Critical Applications").

TI SEMICONDUCTOR PRODUCTS ARE NOT DESIGNED, INTENDED, AUTHORIZED, OR WARRANTED TO BE SUITABLE FOR USE IN LIFE-SUPPORT APPLICATIONS, DEVICES OR SYSTEMS OR OTHER CRITICAL APPLICATIONS.

Inclusion of TI products in such applications is understood to be fully at the risk of the customer. Use of TI products in such applications requires the written approval of an appropriate TI officer. Questions concerning potential risk applications should be directed to TI through a local SC sales office.

In order to minimize risks associated with the customer's applications, adequate design and operating safeguards should be provided by the customer to minimize inherent or procedural hazards.

TI assumes no liability for applications assistance, customer product design, software performance, or infringement of patents or services described herein. Nor does TI warrant or represent that any license, either express or implied, is granted under any patent right, copyright, mask work right, or other intellectual property right of TI covering or relating to any combination, machine, or process in which such semiconductor products or services might be or are used.