

# CD40192BM/CD40192BC Synchronous 4-Bit Up/Down Decade Counter

# CD40193BM/CD40193BC Synchronous 4-Bit Up/Down Binary Counter

## General Description

These up/down counters are monolithic complementary MOS (CMOS) integrated circuits. The CD40192BM and CD40192BC are BCD counters, while the CD40193BM and CD40193BC are binary counters.

Counting up and counting down is performed by two count inputs, one being held high while the other is clocked. The outputs change on the positive-going transition of this clock.

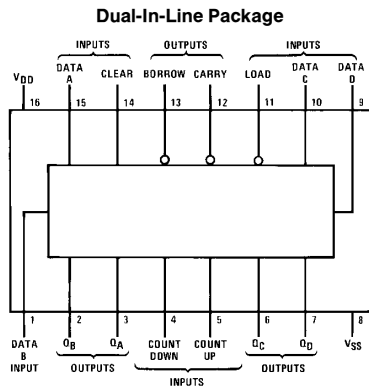
These counters feature preset inputs that are enabled when load is a logical "0" and a clear which forces all outputs to "0" when it is at logical "1". The counters also have carry and borrow outputs so that they can be cascaded using no external circuitry.

All inputs are protected against damage due to static discharge by clamps to  $V_{DD}$  and  $V_{SS}$ .

## Features

- Wide supply voltage range 3V to 15V
- High noise immunity 0.45  $V_{DD}$  (typ.)
- Low power TTL compatibility Fan out of 2 driving 74L or 1 driving 74LS
- Carry and borrow outputs for easy expansion to N-bit by cascading
- Asynchronous clear
- Equivalent to MM54C192/MM74C192 and MM54C193/MM74C193

## Connection Diagram

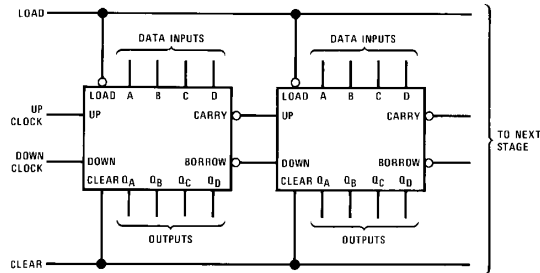


Order Number CD40192B or CD40193

TL/F/5988-1

Top View

## Cascading Packages



TL/F/5988-2

CD40192BM/CD40192BC Synchronous 4-Bit Up/Down Decade Counter  
CD40193BM/CD40193BC Synchronous 4-Bit Up/Down Binary Counter

**Absolute Maximum Ratings** (Notes 1 & 2)

If Military/Aerospace specified devices are required, please contact the National Semiconductor Sales Office/Distributors for availability and specifications.

DC Supply Voltage ( $V_{DD}$ )	-0.5 to +18 $V_{DC}$
Input Voltage ( $V_{IN}$ )	-0.5 to $V_{DD}$ + 0.5 $V_{DC}$
Storage Temperature Range ( $T_S$ )	-65°C to +150°C
Power Dissipation ( $P_D$ )	
Dual-In-Line	700 mW
Small Outline	500 mW
Lead Temperature ( $T_L$ )	
(Soldering, 10 seconds)	260°C

**Recommended Operating Conditions** (Note 2)

DC Supply Voltage ( $V_{DD}$ )	3 to 15 $V_{DC}$
Input Voltage ( $V_{IN}$ )	0 to $V_{DD}$ $V_{DC}$
Operating Temperature Range ( $T_A$ )	
CD40192BM, CD40193BM	-55°C to +125°C
CD40192BC, CD40193BC	-40°C to +85°C

**DC Electrical Characteristics** CD40192BM/CD40193BM (Note 2)

Symbol	Parameter	Conditions	-55°C		+25°C			+125°C		Units
			Min	Max	Min	Typ	Max	Min	Max	
$I_{DD}$	Quiescent Device Current	$V_{DD} = 5V, V_{IN} = V_{DD}$ or $V_{SS}$		5			5		150	$\mu A$
		$V_{DD} = 10V, V_{IN} = V_{DD}$ or $V_{SS}$		10			10		300	$\mu A$
		$V_{DD} = 15V, V_{IN} = V_{DD}$ or $V_{SS}$		20			20		600	$\mu A$
$V_{OL}$	Low Level Output Voltage	$V_{DD} = 5V$		0.05			0.05		0.05	V
		$V_{DD} = 10V$		0.05			0.05		0.05	V
		$V_{DD} = 15V$		0.05			0.05		0.05	V
$V_{OH}$	High Level Output Voltage	$V_{DD} = 5V$	4.95		4.95			4.95		V
		$V_{DD} = 10V$	9.95		9.95			9.95		V
		$V_{DD} = 15V$	14.95		14.95			14.95		V
$V_{IL}$	Low Level Input Voltage	$V_{DD} = 5V, V_O = 0.5V$ or 4.5V		1.5			1.5		1.5	V
		$V_{DD} = 10V, V_O = 1V$ or 9V		3.0			3.0		3.0	V
		$V_{DD} = 15V, V_O = 1.5V$ or 13.5V		4.0			4.0		4.0	V
$V_{IH}$	High Level Input Voltage	$V_{DD} = 5V, V_O = 0.5V$ or 4.5V	3.5		3.5			3.5		V
		$V_{DD} = 10V, V_O = 1V$ or 9V	7.0		7.0			7.0		V
		$V_{DD} = 15V, V_O = 1.5V$ or 13.5V	11.0		11.0			11.0		V
$I_{OL}$	Low Level Output Current (Note 3)	$V_{DD} = 5V, V_O = 0.4V$	0.64		0.51	0.88		0.36		mA
		$V_{DD} = 10V, V_O = 0.5V$	1.6		1.3	2.25		0.9		mA
		$V_{DD} = 15V, V_O = 1.5V$	4.2		3.4	8.8		2.4		mA
$I_{OH}$	High Level Output Current (Note 3)	$V_{DD} = 5V, V_O = 4.6V$	-0.64		-0.51	-0.88		-0.36		mA
		$V_{DD} = 10V, V_O = 9.5V$	-1.6		-1.3	-2.25		-0.9		mA
		$V_{DD} = 15V, V_O = 13.5V$	-4.2		-3.4	-8.8		-2.4		mA
$I_{IN}$	Input Current	$V_{DD} = 15V, V_{IN} = 0V$		-0.1		$-10^{-5}$	-0.1		-1.0	$\mu A$
		$V_{DD} = 15V, V_{IN} = 15V$		0.1		$10^{-5}$	0.1		1.0	$\mu A$

**DC Electrical Characteristics** CD40192BC/CD40193BC (Note 2)

Symbol	Parameter	Conditions	-40°C		+25°C			+85°C		Units
			Min	Max	Min	Typ	Max	Min	Max	
$I_{DD}$	Quiescent Device Current	$V_{DD} = 5V, V_{IN} = V_{DD}$ or $V_{SS}$		20			20		150	$\mu A$
		$V_{DD} = 10V, V_{IN} = V_{DD}$ or $V_{SS}$		40			40		300	$\mu A$
		$V_{DD} = 15V, V_{IN} = V_{DD}$ or $V_{SS}$		80			80		600	$\mu A$
$V_{OL}$	Low Level Output Voltage	$V_{DD} = 5V$		0.05			0.05		0.05	V
		$V_{DD} = 10V$		0.05			0.05		0.05	V
		$V_{DD} = 15V$		0.05			0.05		0.05	V
$V_{OH}$	High Level Output Voltage	$V_{DD} = 5V$	4.95		4.95			4.95		V
		$V_{DD} = 10V$	9.95		9.95			9.95		V
		$V_{DD} = 15V$	14.95		14.95			14.95		V
$V_{IL}$	Low Level Input Voltage	$V_{DD} = 5V, V_O = 0.5V$ or 4.5V		1.5			1.5		1.5	V
		$V_{DD} = 10V, V_O = 1V$ or 9V		3.0			3.0		3.0	V
		$V_{DD} = 15V, V_O = 1.5V$ or 13.5V		4.0			4.0		4.0	V
$V_{IH}$	High Level Input Voltage	$V_{DD} = 5V, V_O = 0.5V$ or 4.5V	3.5		3.5			3.5		V
		$V_{DD} = 10V, V_O = 1V$ or 9V	7.0		7.0			7.0		V
		$V_{DD} = 15V, V_O = 1.5V$ or 13.5V	11.0		11.0			11.0		V
$I_{OL}$	Low Level Output Current (Note 3)	$V_{DD} = 5V, V_O = 0.4V$	0.52		0.44	0.88		0.36		mA
		$V_{DD} = 10V, V_O = 0.5V$	1.3		1.1	2.25		0.9		mA
		$V_{DD} = 15V, V_O = 1.5V$	3.6		3.0	8.8		2.4		mA

## DC Electrical Characteristics CD40192BC/CD40193BC (Note 2) (Continued)

Symbol	Parameter	Conditions	-40°C		+25°C			+85°C		Units
			Min	Max	Min	Typ	Max	Min	Max	
I <sub>OH</sub>	High Level Output Current (Note 3)	V <sub>DD</sub> = 5V, V <sub>O</sub> = 4.6V	-0.52		-0.44	-0.88		-0.36		mA mA mA
		V <sub>DD</sub> = 10V, V <sub>O</sub> = 9.5V	-1.3		-1.1	-2.25		-0.9		
		V <sub>DD</sub> = 15V, V <sub>O</sub> = 13.5V	-3.6		-3.0	-8.8		-2.4		
I <sub>IN</sub>	Input Current	V <sub>DD</sub> = 15V, V <sub>IN</sub> = 0V		-0.3		-10 <sup>-5</sup>	-0.3		-1.0	μA
		V <sub>DD</sub> = 15V, V <sub>IN</sub> = 15V		0.3		10 <sup>-5</sup>	0.3		1.0	μA

## AC Electrical Characteristics\*

T<sub>A</sub> = 25°C, C<sub>L</sub> = 50 pF, R<sub>L</sub> = 200 kΩ, input t<sub>r</sub> = t<sub>f</sub> = 20 ns, unless otherwise specified.

Symbol	Parameter	Conditions	Min	Typ	Max	Units
t <sub>PHL</sub> or t <sub>PLH</sub>	Propagation Delay Time from Count Up or Count Down to Q	V <sub>DD</sub> = 5V		250	400	ns
		V <sub>DD</sub> = 10V		100	160	ns
		V <sub>DD</sub> = 15V		80	130	ns
t <sub>PHL</sub> or t <sub>PLH</sub>	Propagation Delay Time from Count Up to Carry	V <sub>DD</sub> = 5V		120	200	ns
		V <sub>DD</sub> = 10V		50	80	ns
		V <sub>DD</sub> = 15V		40	65	ns
t <sub>PHL</sub> or t <sub>PLH</sub>	Propagation Delay Time from Count Down to Borrow	V <sub>DD</sub> = 5V		120	200	ns
		V <sub>DD</sub> = 10V		50	80	ns
		V <sub>DD</sub> = 15V		40	65	ns
t <sub>SU</sub>	Time Prior to Load That Data Must Be Present	V <sub>DD</sub> = 5V		100	160	ns
		V <sub>DD</sub> = 10V		30	50	ns
		V <sub>DD</sub> = 15V		25	40	ns
t <sub>PHL</sub>	Propagation Delay Time from Clear to Q	V <sub>DD</sub> = 5V		130	220	ns
		V <sub>DD</sub> = 10V		60	100	ns
		V <sub>DD</sub> = 15V		50	80	ns
t <sub>PLH</sub> or t <sub>PHL</sub>	Propagation Delay Time from Load to Q	V <sub>DD</sub> = 5V		300	480	ns
		V <sub>DD</sub> = 10V		120	190	ns
		V <sub>DD</sub> = 15V		95	150	ns
t <sub>TLH</sub> or t <sub>THL</sub>	Output Transition Time	V <sub>DD</sub> = 5V		100	200	ns
		V <sub>DD</sub> = 10V		50	100	ns
		V <sub>DD</sub> = 15V		40	80	ns
f <sub>CL</sub>	Maximum Count Frequency	V <sub>DD</sub> = 5V	2.5	4		MHz
		V <sub>DD</sub> = 10V	6	10		MHz
		V <sub>DD</sub> = 15V	7.5	12.5		MHz
t <sub>rCL</sub> or t <sub>fCL</sub>	Maximum Count Rise or Fall Time	V <sub>DD</sub> = 5V	15			μs
		V <sub>DD</sub> = 10V	5			μs
		V <sub>DD</sub> = 15V	1			μs
t <sub>WH</sub> , t <sub>WL</sub>	Minimum Count Pulse Width	V <sub>DD</sub> = 5V		120	200	ns
		V <sub>DD</sub> = 10V		35	80	ns
		V <sub>DD</sub> = 15V		28	65	ns
t <sub>WH</sub>	Minimum Clear Pulse Width	V <sub>DD</sub> = 5V		300	480	ns
		V <sub>DD</sub> = 10V		120	190	ns
		V <sub>DD</sub> = 15V		95	150	ns
t <sub>WL</sub>	Minimum Load Pulse Width	V <sub>DD</sub> = 5V		100	160	ns
		V <sub>DD</sub> = 10V		40	65	ns
		V <sub>DD</sub> = 15V		32	55	ns
C <sub>IN</sub>	Average Input Capacitance	Load and Data Inputs (A,B,C,D)		5	7.5	pF
		Count Up, Count Down and Clear		10	15	pF
C <sub>PD</sub>	Power Dissipation Capacity	(Note 4)		100		pF

\*AC Parameters are guaranteed by DC correlated testing.

**Note 1:** "Absolute Maximum Ratings" are those values beyond which the safety of the device cannot be guaranteed. They are not meant to imply that the devices should be operated at these limits. The table of "Recommended Operating Conditions" and "Electrical Characteristics" provides conditions for actual device operation.

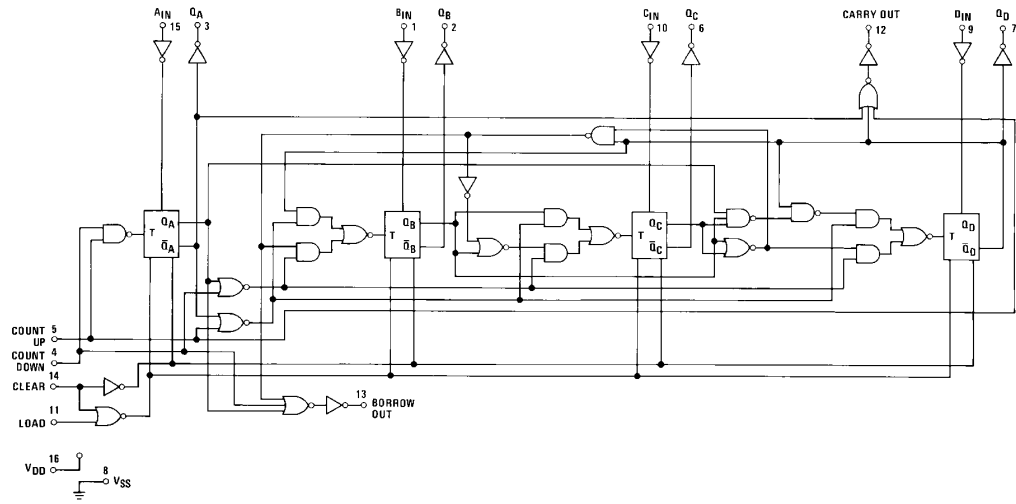
**Note 2:** V<sub>SS</sub> = 0V unless otherwise specified.

**Note 3:** I<sub>OH</sub> and I<sub>OL</sub> are tested one output at a time.

**Note 4:** C<sub>PD</sub> determines the no load AC power consumption of any CMOS device. For complete explanation, see 54C/74C Family Characteristics application note, AN-90.

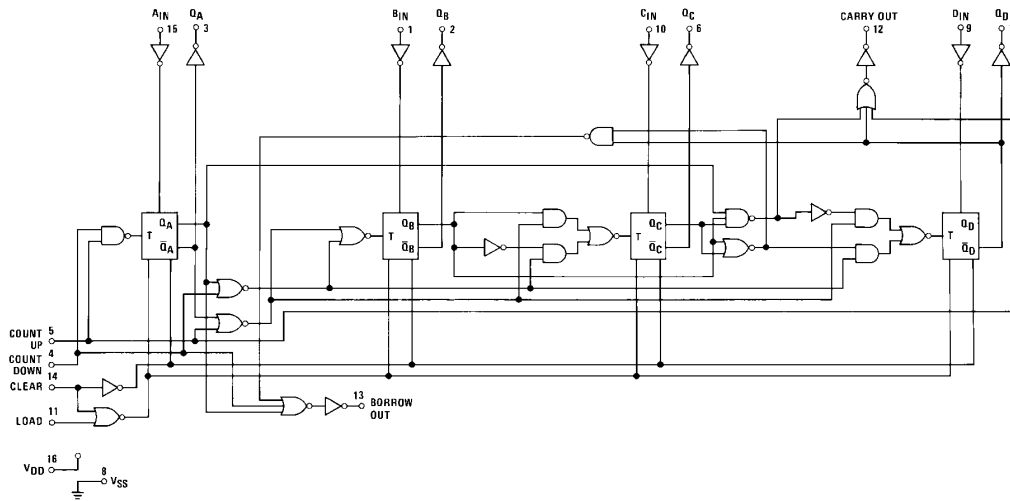
# Schematic Diagrams

## CD40192BM/CD40192BC Synchronous 4-Bit Up/Down Decade Counter



TL/F/5988-3

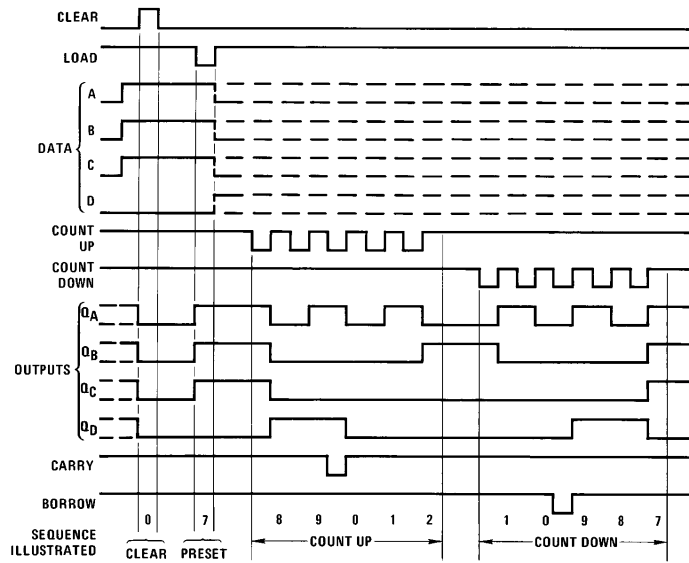
## CD40193BM/CD40193BC Synchronous 4-Bit Up/Down Binary Counter



TL/F/5988-4

# Timing Diagrams

CD40192BM/CD40192BC

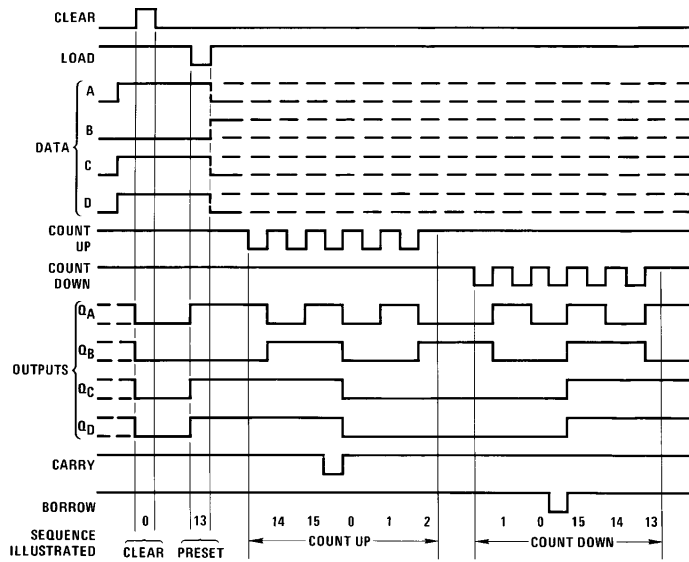


TL/F/5988-5

Sequence:

1. Clear outputs to zero.
2. Load (preset) to BCD seven.
3. Count up to eight, nine, carry, zero, one and two.
4. Count down to one, zero, borrow, nine, eight and seven.

CD40193BM/CD40193BC



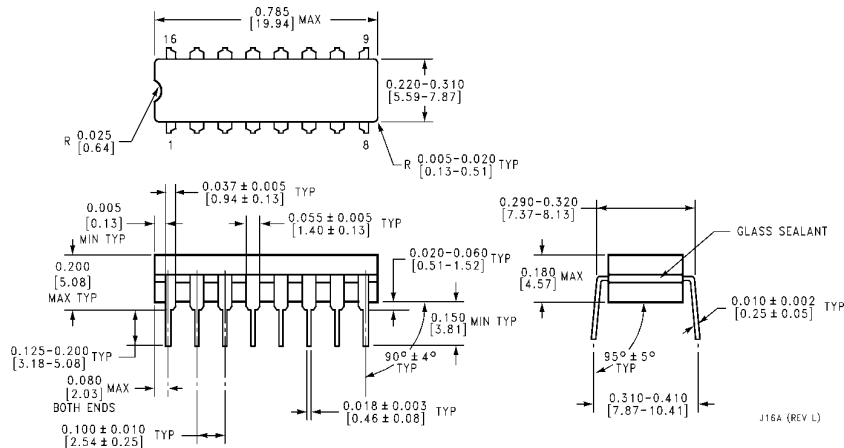
TL/F/5988-6

Sequence:

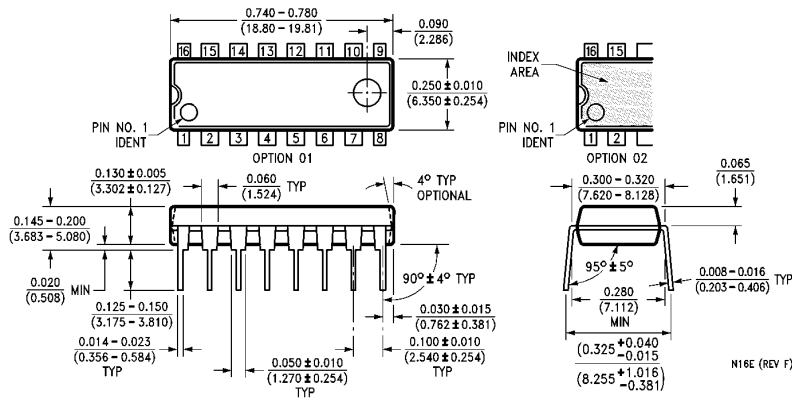
1. Clear outputs to zero.
2. Load (preset) to binary thirteen.
3. Count up to fourteen, fifteen, carry, zero, one and two.
4. Count down to one, zero, borrow, fifteen, fourteen and thirteen.

**CD40192BM/CD40192BC Synchronous 4-Bit Up/Down Decade Counter**  
**CD40193BM/CD40193BC Synchronous 4-Bit Up/Down Binary Counter**

**Physical Dimensions** inches (millimeters)



**Ceramic Dual-In-Line Package (J)**  
**Order Number CD40192BMJ, CD40192BCJ, CD40193BMJ or CD40193BCJ**  
**NS Package Number J16A**



**Molded Dual-In-Line Package (N)**  
**Order Number CD40192BMN, CD40192BCN, CD40193BMN or CD40193BCN**  
**NS Package Number N16E**

**LIFE SUPPORT POLICY**

NATIONAL'S PRODUCTS ARE NOT AUTHORIZED FOR USE AS CRITICAL COMPONENTS IN LIFE SUPPORT DEVICES OR SYSTEMS WITHOUT THE EXPRESS WRITTEN APPROVAL OF THE PRESIDENT OF NATIONAL SEMICONDUCTOR CORPORATION. As used herein:

1. Life support devices or systems are devices or systems which, (a) are intended for surgical implant into the body, or (b) support or sustain life, and whose failure to perform, when properly used in accordance with instructions for use provided in the labeling, can be reasonably expected to result in a significant injury to the user.
2. A critical component is any component of a life support device or system whose failure to perform can be reasonably expected to cause the failure of the life support device or system, or to affect its safety or effectiveness.



**National Semiconductor Corporation**  
 1111 West Bardin Road  
 Arlington, TX 76017  
 Tel: 1(800) 272-9959  
 Fax: 1(800) 737-7018

**National Semiconductor Europe**  
 Fax: (+49) 0-180-530 85 86  
 Email: cnjwge@tevm2.nsc.com  
 Deutsch Tel: (+49) 0-180-530 85 85  
 English Tel: (+49) 0-180-532 78 32  
 Français Tel: (+49) 0-180-532 93 58  
 Italiano Tel: (+49) 0-180-534 16 80

**National Semiconductor Hong Kong Ltd.**  
 19th Floor, Straight Block,  
 Ocean Centre, 5 Canton Rd.  
 Tsimshatsui, Kowloon  
 Hong Kong  
 Tel: (852) 2737-1600  
 Fax: (852) 2736-9960

**National Semiconductor Japan Ltd.**  
 Tel: 81-043-299-2309  
 Fax: 81-043-299-2408

National does not assume any responsibility for use of any circuitry described, no circuit patent licenses are implied and National reserves the right at any time without notice to change said circuitry and specifications.