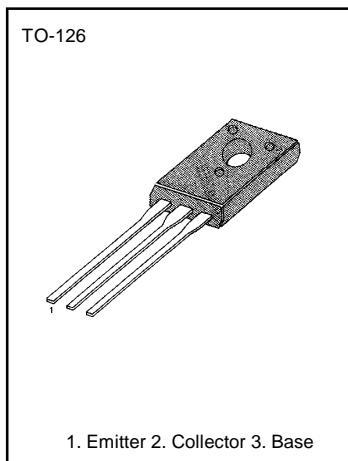


**HIGH COLLECTOR-EMITTER
SUSTAINING VOLTAGE
HIGH VOLTAGE GENERAL PURPOSE
APPLICATIONS
SUITABLE FOR TRANSFORMER**

Complement to KSE340

ABSOLUTE MAXIMUM RATINGS

Characteristic	Symbol	Rating	Unit
Collector- Base Voltage	V_{CB0}	-300	V
Collector-Emitter Voltage	V_{CEO}	-300	V
Emitter- Base Voltage	V_{EBO}	-5	V
Collector Current	I_C	-500	mA
Collector Dissipation ($T_c=25^\circ\text{C}$)	P_C	20	W
Junction Temperature	T_J	150	$^\circ\text{C}$
Storage Temperature	T_{STG}	-65 ~ 150	$^\circ\text{C}$



ELECTRICAL CHARACTERISTICS ($T_c=25^\circ\text{C}$)

Characteristic	Symbol	Test Condition	Min	Max	Unit
Collector Emitter Sustaining Voltage	$V_{CEO(sus)}$	$I_C = -1\text{mA}, I_B = 0$	-300		V
Collector Cutoff Current	I_{CB0}	$V_{CB} = -300\text{V}, I_E = 0$		-100	μA
Emitter Cutoff Current	I_{EBO}	$V_{BE} = -3\text{V}, I_C = 0$		-100	μA
DC Current Gain	h_{FE}	$V_{CE} = -10\text{V}, I_C = -50\text{mA}$	30	240	

