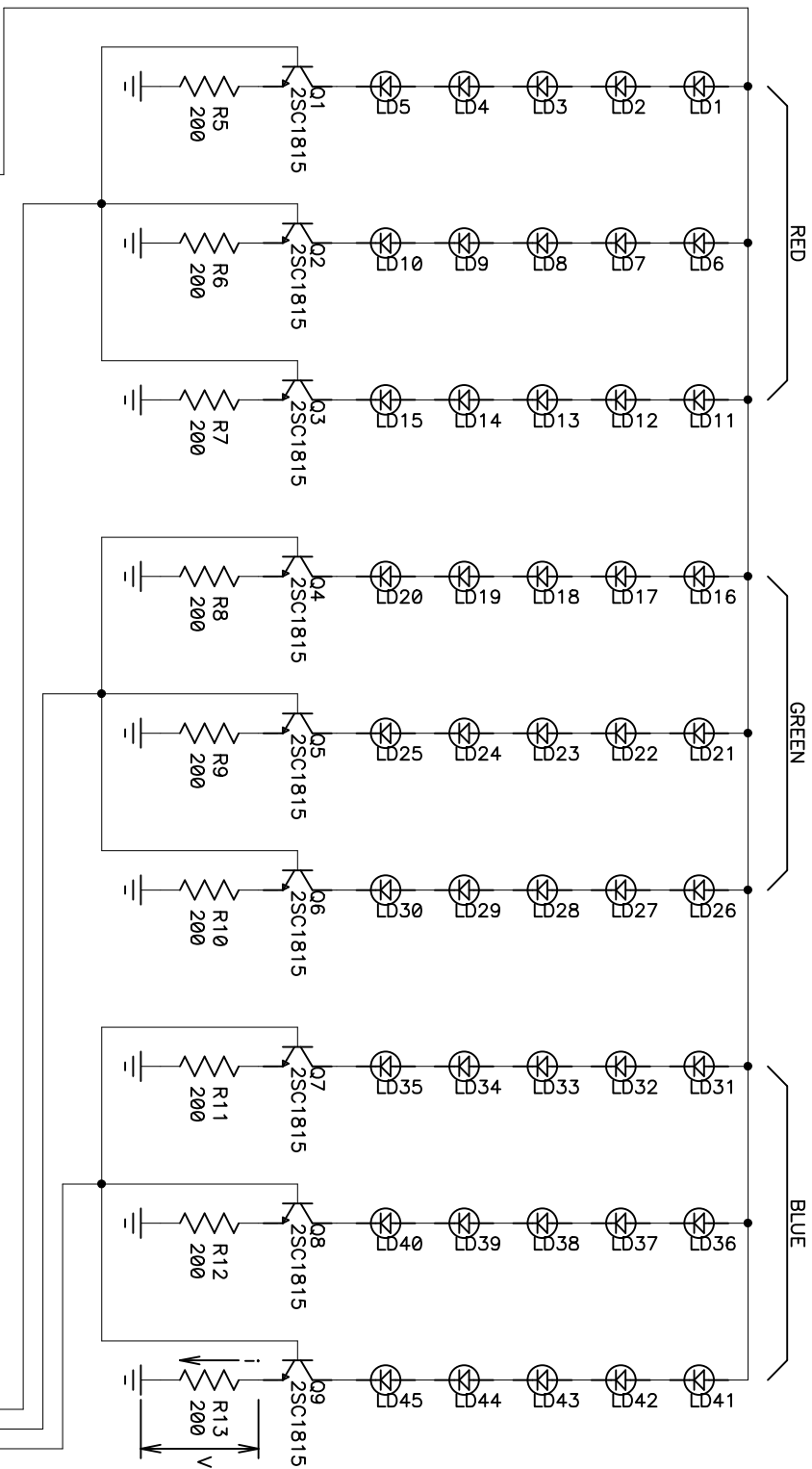


DMX512 PWM True Color LED LAMP Sample Schematic(Using BYDMX3P-30/SP Receiver Chip)

Net-Control(<http://www.net-control.co.kr>)

E-mail : moon@by.co.kr



$$i = V/R$$

$$V = 4.2$$

$$R = 200$$

$$i = 4.2/200 = 0.021$$

Max Led Current = 21 (mA)

