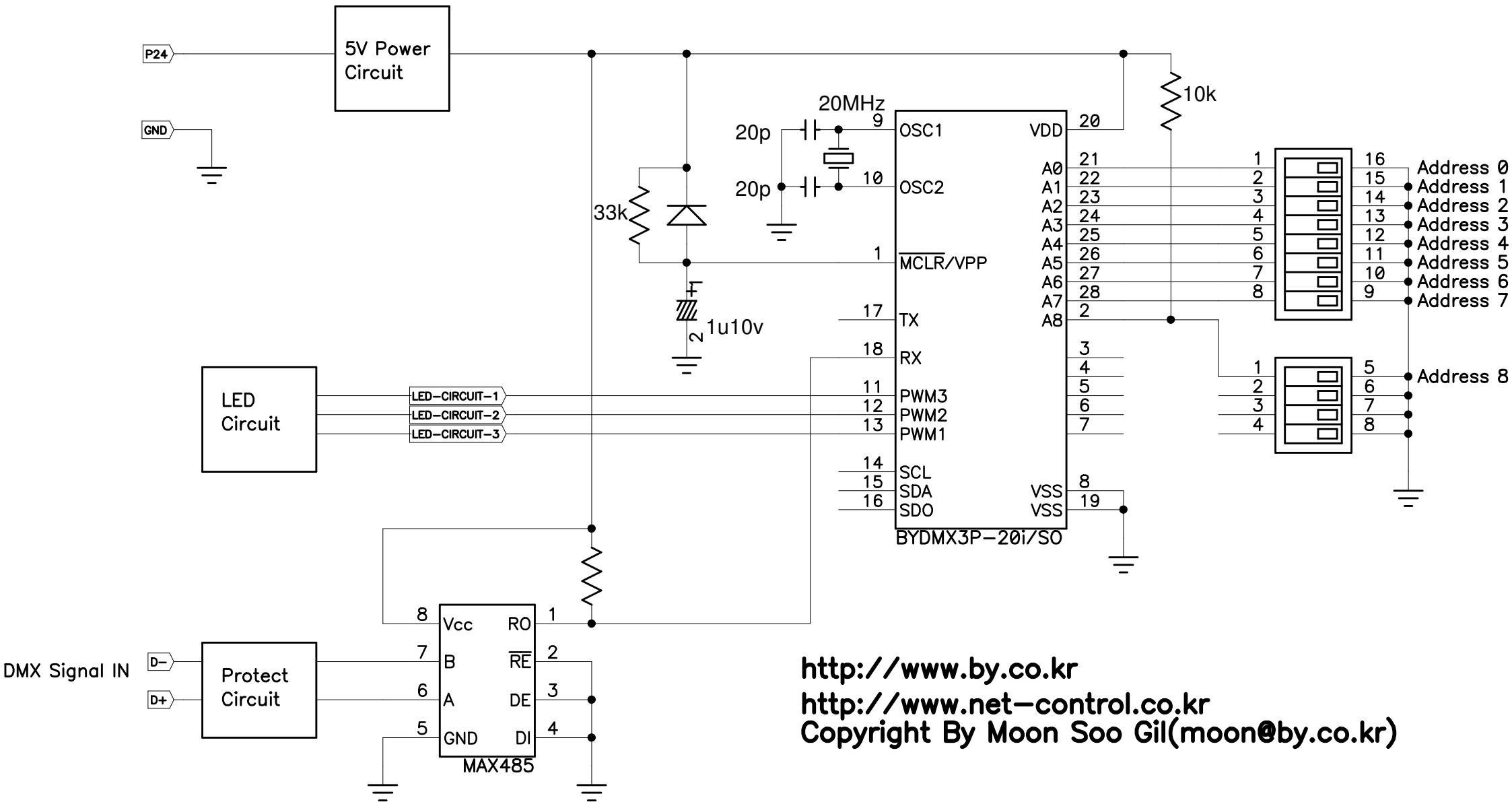


True Color DMX512 LED LAMP SAMPLE CIRCUIT

(Using "BYDMX3P-20/XX" DMX Receiver Chip)



<http://www.by.co.kr>

<http://www.net-control.co.kr>

Copyright By Moon Soo Gil(moon@by.co.kr)