

Lighting and Display Power Selection Guide

1Q 2006





Lighting and Display Power Solutions Tree

White LED and Xenon Camera Flash

TPS61059: Synchronous Boost Converter with Down-Mode High-Power White LED Driver

TPS65552A: Integrated Photo Flash Charger and IGBT Driver

White LED Backlight Drivers

TPS60230: Current-Regulated 125-mA Charge Pump for White LED Backlight in 3 mm x 3 mm QFN, Up to Five LEDs

TPS61061: 19-V, 400-mA Switch, 1-MHz Boost Converter with Brightness Control for White LED Power Supplies

TPS61042: 30-V, 500-mA Switch Boost Converter, QFN-8

OLED and TFT Display

TPS63700: Inverting DC/DC Converter, Generates Up to -15 V

TPS65110: Triple Charge Pump for LTPS LCD

TPS65120: Quad-Output Supply for Small Form Factor TFT Display in QFN-16, 3.3-V LDO, Auto-Seq

TPS65130: Adjustable, Dual Output, Positive and Negative 800-mA Switch Boost DC/DC, 4 mm x 4 mm QFN-24, for OLED, TFT, CCD

LCD Display Bias

TPS65160: Bias Power Supply for TV and Monitor TFT LCD Panels

TPS65150: Low-Input Voltage LCD Bias with VCOM Buffer, QFN-24

CCFL Backlighting

TPS68000: High-Efficiency Phase-Shift Full Bridge CCFL Controller

RGB LED Drivers

TLC5940: 16-Channel LED Driver with Dot Correction and Grayscale PWM Control, Integrated EEPROM, 4 mm x 4 mm QFN

TLC5923: 16-Channel LED Driver with Dot Correction and LED Open Detection





- **TLC5940**—16-Channel LED Driver with Dot Correction and PWM Grayscale
- **TLC5923**—16-Channel LED Driver with Dot Correction and LED Open Detection
- **TPS61060/1/2**—Constant Current LED Driver with Digital and PWM Brightness Control
- **TPS60230/1**—White LED Charge Pump Source with PWM Brightness Control
- **TPS61045**—28-V, 85% Efficiency Boost Converter for PMOLED Applications
- **TPS65130**—Positive and Negative 800-mA Switch Boost DC/DC OLED, TFT, CCD
- **TPS65120**—Quad-Output Supply for Small Form Factor TFT Display
- **TPS65160**—Bias Power Supply for TV and Monitor TFT LCD Panels
- **TPS6552A**—Integrated Photoflash Capacitor Charger and IGBT Driver
- **TPS61059**—White LED Flash Driver
- **TPS68000**—High-Efficiency Phase-Shift Full Bridge CCFL Controller

RGB LED Drivers	
TLC5940	4
TLC5923	4
White LED Drivers	
TPS61060, TPS61061, TPS61062	5
TPS60230, TPS60231	5
LCD and OLED Display Bias Power	
TPS61045	6
TPS65130	6
TPS65120	7
TPS65160	7
Camera Flash Solutions	
TPS6552A	8
TPS61059	8
CCFL Backlight Controllers	
TPS68000	9
Selection Tables	
RGB LED Drivers	10
White LED Drivers	10
LCD and OLED Display Bias Power	11
Camera Flash Solutions	11
Resources	
Worldwide Technical Support	11

www.ti.com/aaj-sgad



Download the current Analog Applications Journal (and past issues) to make your design challenges easier.



16-Channel Driver with Dot Correction and PWM Grayscale TLC5940

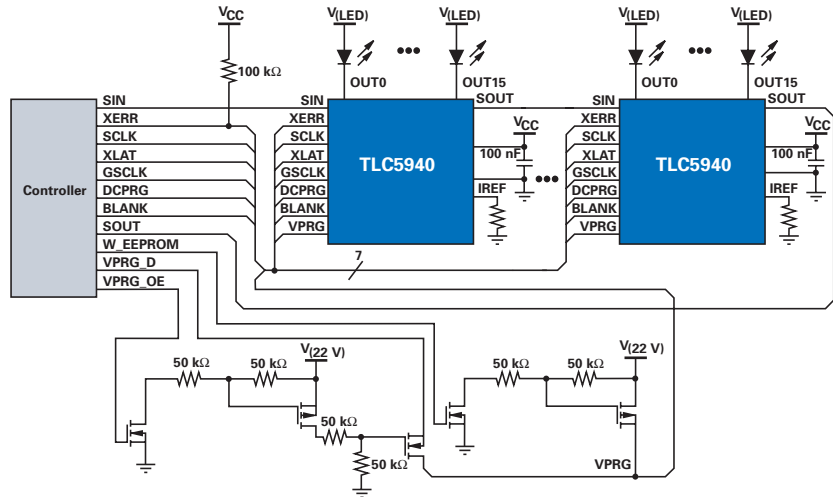
Get samples, datasheets and EVMs at: www.ti.com/sc/device/TLC5940

Key Features

- 16 channels
- 12-bit (4096 steps) PWM grayscale
- 6-bit (64 steps) dot correction
- 3.0-V to 5.5-V input voltage range
- 120-mA constant current/channel
- 30-MHz transfer rate
- Chip-to-chip accuracy: 2.7% typ
- Channel-to-channel accuracy: 1% typ
- Integrated EEPROM

Applications

- Mono-color, multi-color, full-color LED displays
- LED signboards
- Display backlighting



Cascading connection of TLC5940 devices connected to a controller building a basic module of an LED display system.

16-Channel Driver with Dot Correction and LED Open Detection TLC5923

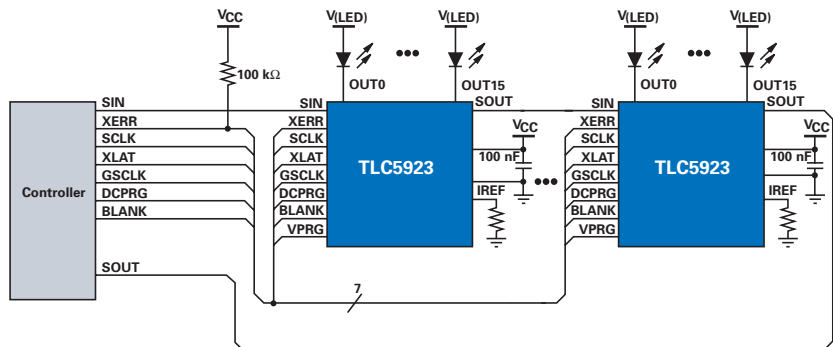
Get samples and datasheets at: www.ti.com/sc/device/TLC5923

Key Features

- 16 channels
- 7-bit (128 steps) dot correction
- 3.0-V to 5.5-V input voltage range
- Channel voltage up to 17-V input
- 80-mA constant current/channel
- Chip-to-chip accuracy: 4% typ
- Channel-to-channel accuracy: 1% typ
- Two built-in error flags (LED open and thermal error)
- Controlled in-rush current

Applications

- Mono-color, multi-color, full color LED displays
- LED signboards
- Alphanumeric displays



An example application with TLC5923 devices connected to a controller. The maximum number of cascaded devices depends on application system and data transfer rate.



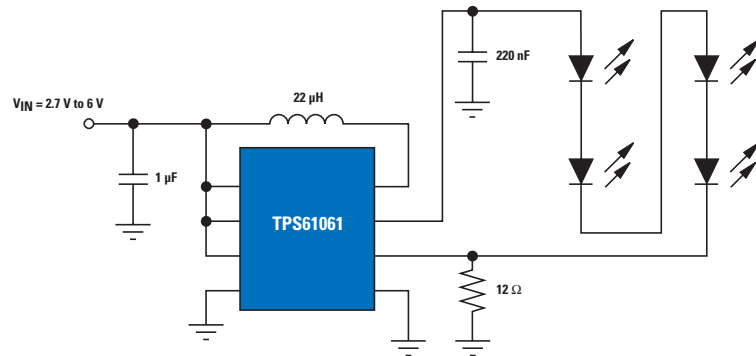
Constant Current LED Driver with Digital and PWM Brightness Control

TPS61060, TPS61061, TPS61062

Get samples, datasheets and EVMs at: www.ti.com/sc/device/PARTnumber
(Replace **PARTnumber** with **TPS61060**, **TPS61061** or **TPS61062**)

Key Features

- LED driver with integrated over-voltage protection
- 2.7-V to 6-V input voltage range
- TPS61060 powers up to three LEDs
- TPS61061 powers up to four LEDs
- TPS61062 powers up to five LEDs
- PWM brightness control on enable
- Digital brightness control on ILED
- 1-MHz fixed switching frequency
- 400-mA internal power MOSFET switch
- LEDs disconnected during shutdown
- Operates with small output capacitors down to 220 nF



TPS61061 powering four white LEDs.

Applications

- Cellular phones
- PDAs, pocket PCs and smart phones
- Digital still cameras
- 3.3-V to 5-V point-of-load

Additional Devices

- TPS61040/1/2/3

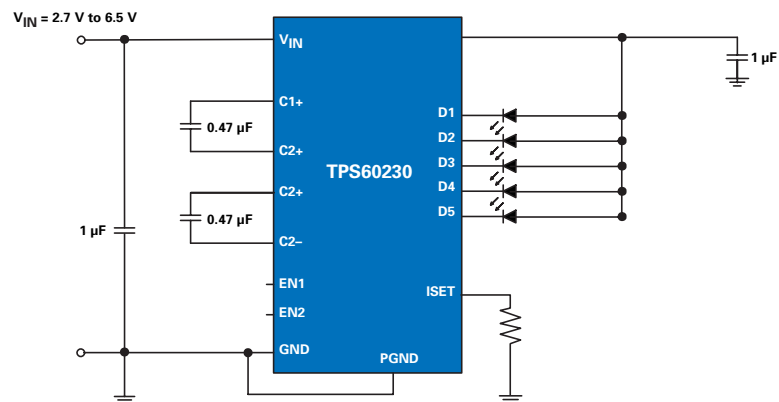
White LED Charge Pump Current Source with PWM Brightness Control

TPS60230, TPS60231

Get samples, datasheets and EVMs at: www.ti.com/sc/device/PARTnumber
(Replace **PARTnumber** with **TPS60230** or **TPS60231**)

Key Features

- Regulated output current with 0.4% matching over temperature
- Drives up to five LEDs at 25 mA each (TPS60230)
- Drives up to three LEDs at 25 mA each (TPS60231)
- LED brightness control through PWM control signal
- High efficiency by fractional conversion with 1x and 1.5x modes
- 1-MHz switching frequency
- 2.7-V to 6.5-V operating input voltage range
- Internal softstart limits in-rush current
- Low input ripple and low EMI
- Overcurrent and overtemperature protected
- Undervoltage lockout with hysteresis
- Packaging: ultra-small 3 mm x 3 mm QFN



TPS60230 powering five LEDs.

Applications

- White LED backlight for color displays in cell phones, smart phones, PDAs, pocket PCs, digital cameras and camcorders
- Key backlight



28-V, 85% Efficiency Boost Converter for LCD Applications in QFN-8 TPS61045

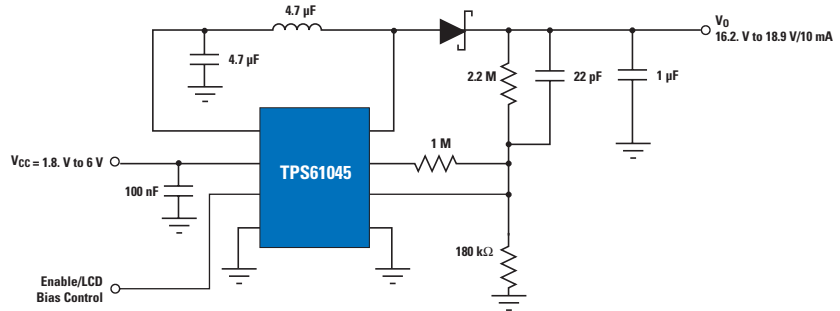
Get samples, datasheets, EVMs and app reports at: www.ti.com/sc/device/TPS61045

Key Features

- Input voltage range: 1.8 V to 6.0 V
- Output voltage: up to 28 V, digitally adjustable
- Output current: 20 mA
- Quiescent current: 0.04 mA (typ)
- Switching frequency: 1 MHz (max)
- Package: 3 mm x 3 mm QFN

Applications

- LCD bias supply for small to medium form factors
- OLED display power supply in PDAs, cell phones, smart phones



Typical application with digital adjusted output voltage.

Additional Devices

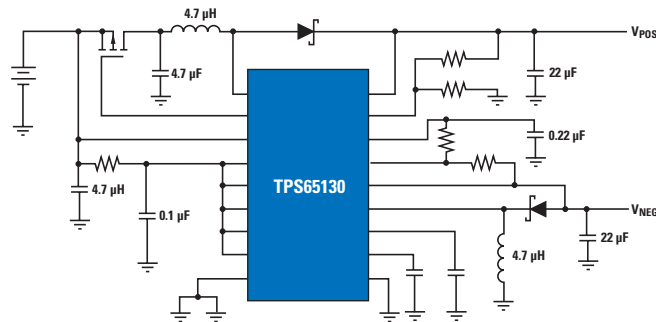
- TPS61040/1

Positive and Negative 800-mA Switch Boost DC/DC for OLED, TFT, CCD TPS65130

Get samples, datasheets and EVMs at: www.ti.com/sc/device/TPS65130

Key Features

- Dual adjustable output voltages up to +15 V and down to -15 V
- 800-mA typical switch current limit at boost and inverter main switches at TPS65130
- 2-A typical switch current limit at boost and inverter main switches at TPS65131
- Power-save mode for high-efficiency at low load currents
- Independent enable inputs for power-up and power-down sequencing
- Control output for external PFET to support completely disconnecting the battery
- 2.7-V to 5.5-V input voltage range
- Minimum 1.25-MHz fixed frequency PWM operation
- Overvoltage protection on both outputs
- Packaging: small 4 mm x 4 mm QFN-24 (RGE)



Typical application diagram.

Applications

- Small to medium size OLED displays
- (TFT) LCD and CCD bias supply
- PDAs, pocket PCs, smartphones, digital cameras and camcorders

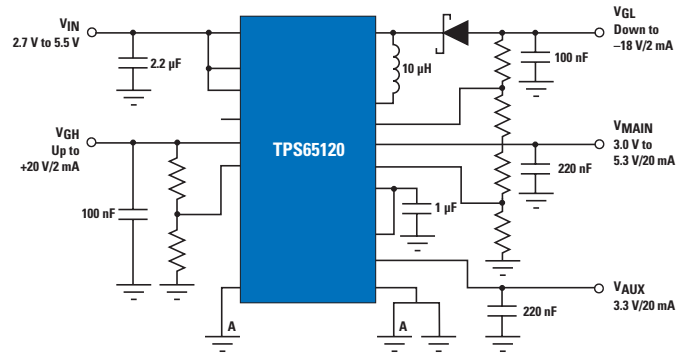


Quad-Output Supply for Small Form Factor TFT Display TPS65120

Get samples, datasheets and EVMs at: www.ti.com/sc/device/TPS65120

Key Features

- Main Output, V_{MAIN}
 - Adjustable voltage, 3.0 V to 5.6 V/25 mA
 - Post-regulated for low ripple (5 mV_{PP})
 - ±0.8% typical accuracy positive output, V_{GH}
 - Adjustable voltage up to 20 V/2 mA
 - ±3% typical accuracy negative output, V_{GL}
 - Adjustable voltage down to -18 V/2 mA
 - ±3% typical accuracy
- Auxiliary 1.8-V/3.3-V linear regulator
- Automatic or programmable power sequencing
- 2.5-V to 5.5-V input voltage range
- Output short circuit protected
- Packaging: 16-pin QFN (3 x 3 x 0.9 mm)



Typical application diagram.

Applications

- Cell phones
- Smart phones
- PDAs
- Pocket PCs
- Portable DVDs
- Digital still cameras (DSCs)
- Camcorders
- Portable GPSs
- Car navigation systems
- Handheld instruments

Bias Power Supply for TV and Monitor TFT LCD Panels TPS65160

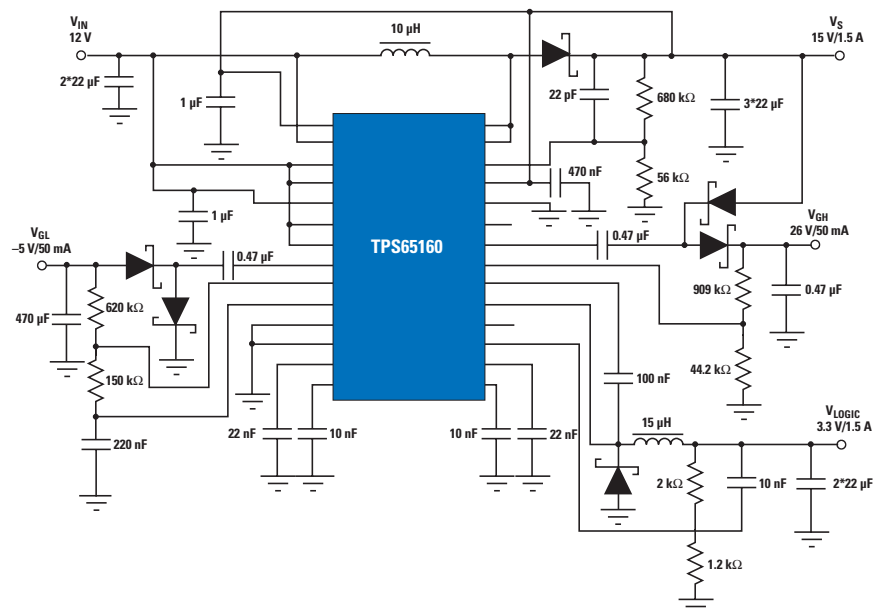
Get samples and datasheets at: www.ti.com/sc/device/TPS65160

Key Features

- Input voltage range: 8 V to 14 V
- Number of regulated outputs: 4
- Boost converter, buck converter, negative and positive charge pump
- Output voltage: up to 20 V
- Adjustable sequencing
- Switching frequency: 500 kHz or 750 kHz
- Package: HTSSOP-28

Applications

- TFT LCD display for monitor and LCD TV



Positive-charge pump doubler running from the output V_S ($SUP = V_S$) required when higher V_{GH} voltages are needed.



Integrated Photoflash Capacitor Charger and IGBT Driver TPS65552A

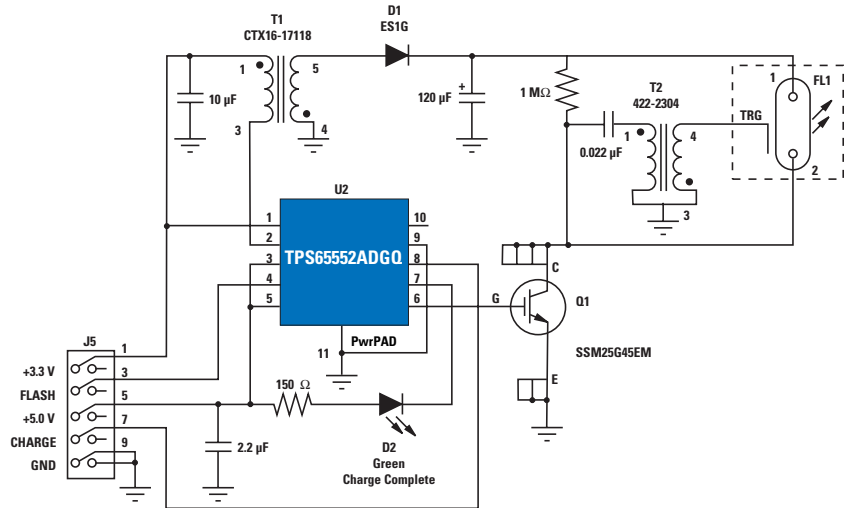
Get samples, datasheets, EVMs and app reports at: www.ti.com/sc/device/TPS65552A

Key Features

- Highly integrated solution to reduce components
- Integrated IGBT driver
- High efficiency
- Programmable peak current, 0.95 A to 1.8 A
- Input voltage of 1.8 V to 12 V
- Optimized control loop for fast charge time
- Sensing all trigger from primary side
- Packaging: 10-pin MSOP and 16-pin QFN

Applications

- Digital still cameras (DSCs)
- Optical film cameras
- Mobile phones with cameras
- PDAs with cameras



TPS65552A application circuit.

High-Power White LED Flash Driver TPS61059

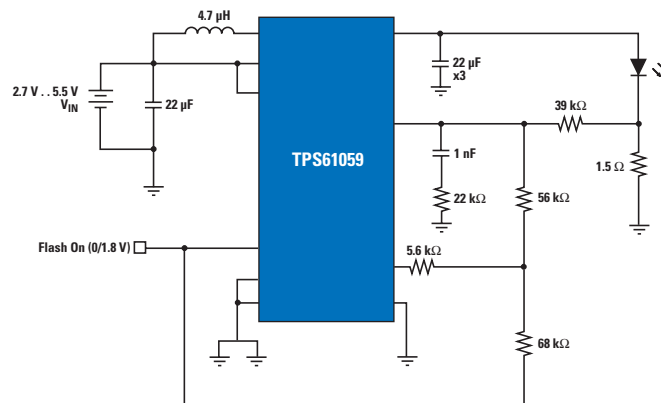
Get samples and datasheets at: www.ti.com/sc/device/TPS61059

Key Features

- 80% efficient synchronous boost converter
- Input voltage range: 2.7 V to 5.5 V
- Fixed frequency 650-kHz operation
- LED disconnect during shutdown
- Open/shorted LED protection
- Internal softstart
- Overtemperature protection
- Low shutdown current: 0.1 μ A
- Output current: 500 mA (TPS61058), 800 mA (TPS61059)
- Packaging: small 3 mm x 3 mm QFN

Applications

- Torch/camera white LED supply for cell phones, smart phones, and PDAs
- General lighting applications



800-mA single LED flashlight application.

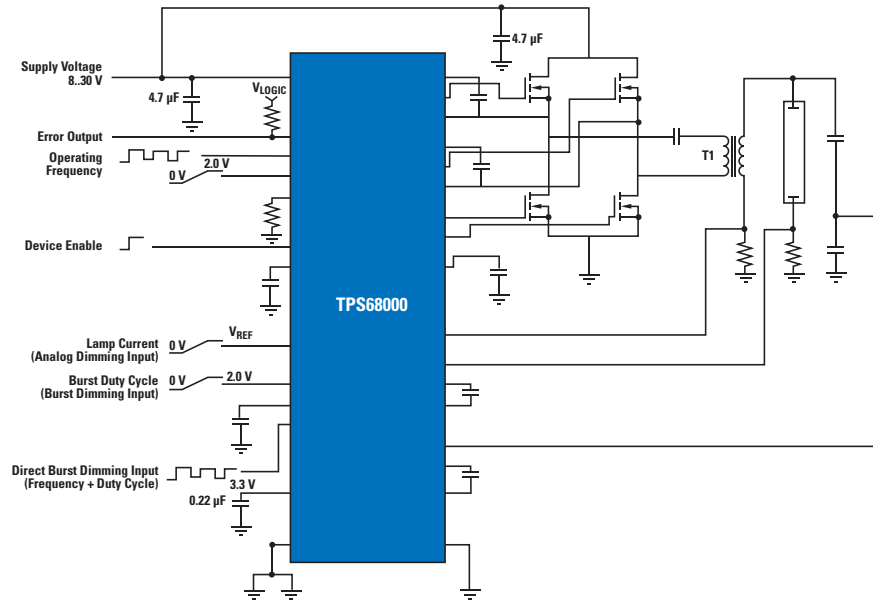


High-Efficiency Phase Shift Full Bridge CCFL Controller TPS68000

Get samples and datasheets at: www.ti.com/sc/device/TPS68000

Key Features

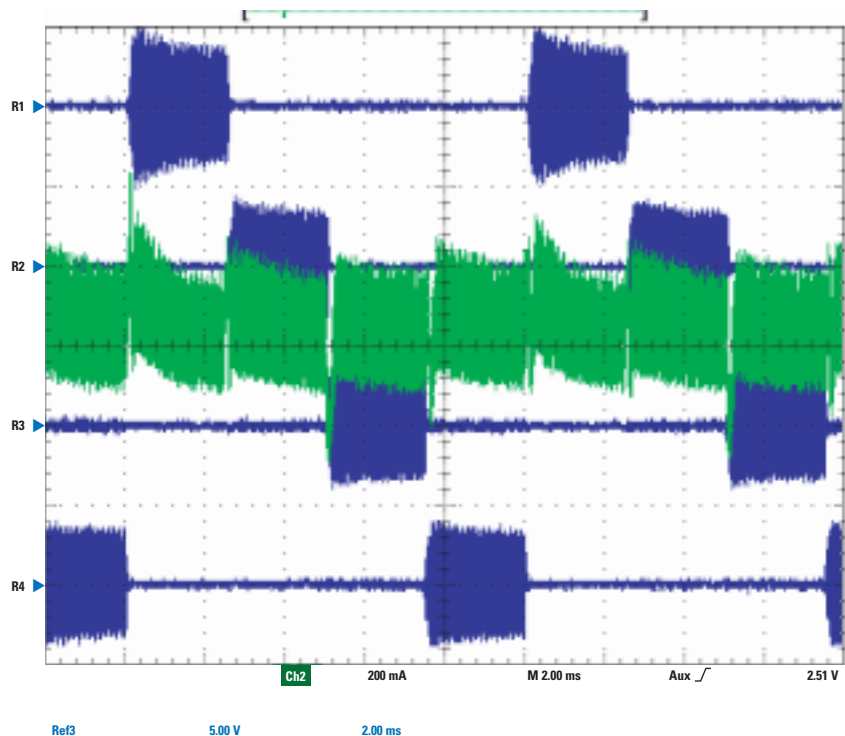
- 8-V to 30-V input voltage range
- Full bridge topology with integrated gate drives for 4-NMOS switches
- Synchronizable constant frequency operation
- Programmable phase delays of operating frequency for master slave operation
- Lamp-voltage and lamp-current regulation
- Analog and burst dimming
- Configurable distributed burst dimming in multiple controller applications
- Programmable voltage regulation timeout for startup and fault conditions
- Open-lamp and short-circuit protection
- Internal overtemperature protection
- Undervoltage lockout
- Packaging: 30-pin TSSOP



TPS68000 application circuit for single lamp.

Applications

- CCFL backlight power supplies for desktop monitors and LCD TVs
- CCFL backlight power supplies for notebooks



The Distributed Dimming™ capability of the TPS68000 provides uniform lighting across display panels while reducing power line noise and image distortion.



RGB LED Drivers

Device	Data Input (Bits)	Output Count (Bits)	Input Voltage Range (V)	Output Current Drive (mA)	Channel-to-Channel Accuracy (typ) (%)	Data Transfer Rate (MHz)	Brightness Adjustment (Steps)	Dot Correction (Steps)	PWM Grayscale (Steps)	EEPROM	OVM ¹	LOD ²	TEF ³	WDT ⁴	TSD ⁵	Price ⁶
TLC5904	8-bit parallel	8, 16	4.5 to 5.5	120	±4	15	32	—	256	—	Yes	Yes	No	Yes	Yes	3.70
TLC5905	1	8, 16	4.5 to 5.5	120	±4	15	32	—	256	—	Yes	Yes	No	Yes	Yes	2.85
TLC5911	7, 10	16	4.5 to 5.5	80	±4	20	64	128	1024	—	No	Yes	No	Yes	Yes	4.50
TLC5930	1	12	3.0 to 3.6	40	±1	20	64	256	1024	—	Yes	Yes	Yes	No	No	4.15
TLC5920	1	16	4.5 to 5.5	30	±6	10	—	—	—	—	No	No	No	No	No	1.10
TLC5921	1	16	4.5 to 5.5	80	±1	20	—	—	—	—	No	Yes	No	No	Yes	1.25
TLC5922	1	16	3.0 to 5.5	80	±1	30	—	128	—	—	No	No	Yes	No	No	1.35
TLC5923	1	16	3.0 to 5.5	80	±1	30	—	128	—	—	No	Yes	Yes	No	No	1.90
TLC5940	1	16	3.0 to 5.5	120	±1	30	—	64	4096	Yes	No	Yes	Yes	No	No	1.90
TLC5941	1	16	3.0 to 5.5	80	±1	30	—	64	4096	—	No	Yes	Yes	No	No	1.65

¹Output voltage monitoring.

²LED open detection.

³Thermal error flag.

⁴Watchdog timer.

⁵Thermal shutdown.

⁶Suggested resale price in U.S. dollars in quantities of 1,000.

New devices are listed in **bold red**.

White LED Drivers

Device	V _{IN} (V)	Type	Number of LEDs ¹	LED Configuration	Switch Current Limit (typ) (mA)	Current Regulation	Over-Voltage Protection (min) (V)	Synchronous	Output Capacitor	Load-Disconnect During Shutdown	Dimming ²	Peak Efficiency ³ (%)	Quiescent Current (typ) (mA)	Shutdown Current (typ) (µA)	Package(s)	Price ⁴
TPS61041	1.8 to 6.0	Inductive	4	Series	250	No	No	No	1 µF	No	Yes	85	0.028	0.1	SOT-23	0.75
TPS61040	1.8 to 6.0	Inductive	6	Series	400	No	No	No	1 µF	No	Yes	86	0.028	0.1	SOT-23	0.95
TPS61043	1.8 to 6.0	Inductive	4	Series	400	Yes	17	No	100 nF	Yes	Yes	85	0.038	0.1	QFN-8	0.99
TPS61042	1.8 to 6.0	Inductive	6	Series	500	Yes	28	No	100 nF	Yes	Yes	85	0.038	0.1	QFN-8	1.20
TPS61060	2.7 to 6.0	Inductive	3	Series	400	Yes	14	Yes	220 pF	Yes	Yes	83	—	1	QFN-8/WCSP-8	1.35
TPS61061	2.7 to 6.0	Inductive	4	Series	400	Yes	18	Yes	220 pF	Yes	Yes	82	—	1	QFN-8/WCSP-8	1.35
TPS61062	2.7 to 6.0	Inductive	5	Series	400	Yes	22	Yes	220 pF	Yes	Yes	81	—	1	QFN-8/WCSP-8	1.35
TPS61020	0.9 to 5.5	Inductive	1	Series	1500	Yes	Optional	Yes	2.2 µF	Yes	Flash	90	0.025	0.1	QFN-10	1.40
REG71050	3.2 to 5.5	Charge pump	3	Parallel	—	No	—	—	2.2 µF	—	Yes	70	0.065	0.01	SOT-23	0.65
TPS60231	2.7 to 6.5	Charge pump	3	Parallel	—	Yes	—	—	1 µF	—	Yes	85	0.200	0.1	QFN-16	0.95
TPS60230	2.7 to 6.5	Charge pump	5	Parallel	—	Yes	—	—	1 µF	—	Yes	85	0.200	0.1	QFN-16	1.50
TPS61058	2.7 to 5.5	Inductive	1	Series	800	Yes	6.1	Yes	22 µF	Yes	Yes	92	5.5	0.1	QFN-10	0.85
TPS61059	2.7 to 5.5	Inductive	1	Series	500	Yes	6.1	Yes	22 µF	Yes	Yes	92	5.5	0.1	QFN-10	0.95

¹More LEDs can be driven in parallel string configuration.

²May be via ENABLE pin, CONTROL pin or analog feedback network.

³Depends on LED current, input voltage, number of LEDs, ILED pin.

⁴Suggested resale price in U.S. dollars in quantities of 1,000.

New devices are listed in **bold red**.



LCD and OLED Display Bias Power

Device	V _{IN} (V)	Charger	No. of Regulator Outputs	DC/DC Converter	DC/DC Controller	Charge Pump	LDO	LDO Controller	Communication Interface	Quiescent Current (mA)	Shutdown Current (µA)	Description	Package(s)	Price ¹
Integrated Power Management for TFT/TFD LCD and OLED Displays														
TPS61045	1.8 to 6.0	—	1	1	—	—	—	—	—	0.035	1	Digitally adjustable, small form factor LCD and passive-matrix OLED bias supply	QFN-8	1.35
TPS63700	2.7 to 5.5	—	1	1	—	—	—	—	—	0.2	1	Inverting DC/DC converter with 200-mA output current and up to -15-V output voltage	SON-10	2.35
TPS65110/1	2.4 to 5.5	—	3	—	3	—	—	—	—	0.05	1	High-accuracy, small form factor, inductor-less LTPS LCD bias supply with low ripple	QFN-24	1.70
TPS65120/1/3/4	2.5 to 5.5	—	4	1	—	2	—	—	—	0.14	0.1	High-accuracy, small form factor, LTPS and a-Si LCD bias supply, sequencing	QFN-16	1.75
TPS65130/1	2.7 to 5.5	—	2	2	—	—	—	—	—	0.5	0.2	Positive/negative small form factor OLED, TFT and CCD bias supply, dual rail	QFN-24	2.95
TPS65100/5	2.7 to 5.8	—	4	1	—	1	—	1	—	3.5	1	High-accuracy, large form factor TFT LCD bias supply w/ vcom buffer, sequencing	QFN/TSSOP-24	2.30
TPS65140/5	2.7 to 5.8	—	4	1	—	1	—	1	—	3.5	1	High-accuracy, large form factor TFT LCD bias supply w/ Power Good, sequencing	QFN/TSSOP-24	2.00
TPS65150	1.8 to 6	—	3	1	—	2	—	—	—	—	—	High-accuracy, large form factor TFT LCD bias supply w/ flicker compensation, sequencing	QFN/TSSOP-24	2.40
TPS65160	8 to 14	—	4	2	—	2	—	—	—	—	—	LCD TV/Monitor TFT display bias supply w/ protection, softstart, sequencing	TSSOP-28	2.60

¹Suggested resale price in U.S. dollars in quantities of 1,000.

New devices are listed in bold red.
Preview devices are listed in bold blue.

Camera Flash Solutions

Device	Input Voltage (V)	V _{CC} (V)	Programmable Peak Current (A)	Power Switch (V)	IGBT Driver	Protection			Packaging	Price ¹
						Max On Time	Over-Voltage Shutdown	Thermal Monitor		
TPS6552A	1.8 to 12	5	0.95 to 1.8	50	Yes	Yes	Yes	Yes	10-pin MSOP, 16-pin QFN	1.90

¹Suggested resale price in U.S. dollars in quantities of 1,000.

New devices are listed in bold red.

TI Worldwide Technical Support

Internet

TI Semiconductor Product Information Center Home Page
support.ti.com

TI Semiconductor KnowledgeBase Home Page
support.ti.com/sc/knowledgebase

Product Information Centers

Americas

Phone +1(972) 644-5580
 Fax +1(972)927-6377
 Internet support.ti.com/sc/pic/americas.htm

Europe, Middle East, and Africa

Phone

Belgium (English)	+32 (0) 27 45 54 32
Finland (English)	+358 (0) 9 25173948
France	+33 (0) 1 30 70 11 64
Germany	+49 (0) 8161 80 33 11
Israel (English)	1800 949 0107
Italy	800 79 11 37
Netherlands (English)	+31 (0) 546 87 95 45
Russia	+7 (0) 95 363 4824
Spain	+34 902 35 40 28
Sweden (English)	+46 (0) 8587 555 22
United Kingdom	+44 (0) 1604 66 33 99

Fax +49 (0) 8161 80 2045
 Internet support.ti.com/sc/pic/euro.htm

Japan

Fax

International	+81-3-3344-5317
Domestic	0120-81-0036

Internet

International	support.ti.com/sc/pic/japan.htm
Domestic	www.tij.co.jp/pic

Asia

Phone

International	+886-2-23786800
Domestic	Toll Free Number
Australia	1-800-999-084
China	800-820-8682
Hong Kong	800-96-5941
India	+91-80-51381665 (Toll)
Indonesia	001-803-8861-1006
Korea	080-551-2804
Malaysia	1-800-80-3973
New Zealand	0800-446-934
Philippines	1-800-765-7404
Singapore	800-886-1028
Taiwan	0800-006800
Thailand	001-800-886-0010

Fax 886-2-2378-6808
 Email tiasia@ti.com or ti-china@ti.com
 Internet support.ti.com/sc/pic/asia.htm

Safe Harbor Statement

This publication may contain forward-looking statements that involve a number of risks and uncertainties. These "forward-looking statements" are intended to qualify for the safe harbor from liability established by the Private Securities Litigation Reform Act of 1995. These forward-looking statements generally can be identified by phrases such as "TI or its management believes," "expects," "anticipates," "foresees," "forecasts," "estimates" or other words or phrases of similar import. Similarly, such statements herein that describe the company's products, business strategy, outlook, objectives, plans, intentions or goals also are forward-looking statements. All such forward-looking statements are subject to certain risks and uncertainties that could cause actual results to differ materially from those in forward-looking statements. Please refer to TI's most recent Form 10-K for more information on the risks and uncertainties that could materially affect future results of operations. We disclaim any intention or obligation to update any forward-looking statements as a result of developments occurring after the date of this publication.

Cover: The photos of Nathan Shaffer are courtesy of Rachel and Brian Shaffer.

© 2005 Texas Instruments Incorporated

Technology for Innovators and the black/red banner are trademarks of Texas Instruments. All other trademarks are the property of their respective owners.

Printed in U.S.A. by The Jarvis Press, Dallas, Texas, on recycled paper

Important Notice: The products and services of Texas Instruments Incorporated and its subsidiaries described herein are sold subject to TI's standard terms and conditions of sale. Customers are advised to obtain the most current and complete information about TI products and services before placing orders. TI assumes no liability for applications assistance, customer's applications or product designs, software performance, or infringement of patents. The publication of information regarding any other company's products or services does not constitute TI's approval, warranty or endorsement thereof.

Information at Your Fingertips

www.ti.com/analoglit

TI has a full line of Power Management literature to help in your design process:

- *Power Management Selection Guide*
- *Fusion Digital Power™ Control Solutions*
- *Plug-In Power Product Selector Guide*
- *Portable Power Management Sine On*
- *System Power Management Sine On*
- *Reference Design Cookbook*



Texas Instruments Incorporated
14950 FAA Blvd.
Ft. Worth, Texas 76155-9950

Address service requested

PRSR STD
U.S. POSTAGE
PAID
DALLAS, TEXAS
PERMIT NO. 2758

IMPORTANT NOTICE

Texas Instruments Incorporated and its subsidiaries (TI) reserve the right to make corrections, modifications, enhancements, improvements, and other changes to its products and services at any time and to discontinue any product or service without notice. Customers should obtain the latest relevant information before placing orders and should verify that such information is current and complete. All products are sold subject to TI's terms and conditions of sale supplied at the time of order acknowledgment.

TI warrants performance of its hardware products to the specifications applicable at the time of sale in accordance with TI's standard warranty. Testing and other quality control techniques are used to the extent TI deems necessary to support this warranty. Except where mandated by government requirements, testing of all parameters of each product is not necessarily performed.

TI assumes no liability for applications assistance or customer product design. Customers are responsible for their products and applications using TI components. To minimize the risks associated with customer products and applications, customers should provide adequate design and operating safeguards.

TI does not warrant or represent that any license, either express or implied, is granted under any TI patent right, copyright, mask work right, or other TI intellectual property right relating to any combination, machine, or process in which TI products or services are used. Information published by TI regarding third-party products or services does not constitute a license from TI to use such products or services or a warranty or endorsement thereof. Use of such information may require a license from a third party under the patents or other intellectual property of the third party, or a license from TI under the patents or other intellectual property of TI.

Reproduction of information in TI data books or data sheets is permissible only if reproduction is without alteration and is accompanied by all associated warranties, conditions, limitations, and notices. Reproduction of this information with alteration is an unfair and deceptive business practice. TI is not responsible or liable for such altered documentation.

Resale of TI products or services with statements different from or beyond the parameters stated by TI for that product or service voids all express and any implied warranties for the associated TI product or service and is an unfair and deceptive business practice. TI is not responsible or liable for any such statements.

Following are URLs where you can obtain information on other Texas Instruments products and application solutions:

Products		Applications	
Amplifiers	amplifier.ti.com	Audio	www.ti.com/audio
Data Converters	dataconverter.ti.com	Automotive	www.ti.com/automotive
DSP	dsp.ti.com	Broadband	www.ti.com/broadband
Interface	interface.ti.com	Digital Control	www.ti.com/digitalcontrol
Logic	logic.ti.com	Military	www.ti.com/military
Power Mgmt	power.ti.com	Optical Networking	www.ti.com/opticalnetwork
Microcontrollers	microcontroller.ti.com	Security	www.ti.com/security
		Telephony	www.ti.com/telephony
		Video & Imaging	www.ti.com/video
		Wireless	www.ti.com/wireless

Mailing Address: Texas Instruments
Post Office Box 655303 Dallas, Texas 75265