

Features

- HID Profile in ROM eliminates need for external Flash
- Integrated 8 x 19 scanning keyboard matrix with customisable keys
- Includes optical sensor interface code
- Provides extended battery life through enhanced silicon design and code implementation
- Mouse includes five programmable buttons and a scroll wheel
- Bluetooth Category A and v1.1 qualified
- HID devices are pre-paired in HID Proxy mode
- Minimum external components means low cost

General Description

CSR has developed **BlueCore™2-HID**, a single chip Bluetooth® wireless technology radio and baseband that enables engineers to create Human Interface Device (HID) designs. BlueCore2-HID is flexible enough to allow the same chip to be used for either a mouse or a keyboard. CSR utilises a combination of low current consumption silicon design with a high level of optimised code to create a chip that promotes extended battery life.

BlueCore2-HID is fully compliant with Bluetooth v1.1 protocol specification. It leverages Bluetooth Qualification Body (BQB) conformance testing into products.

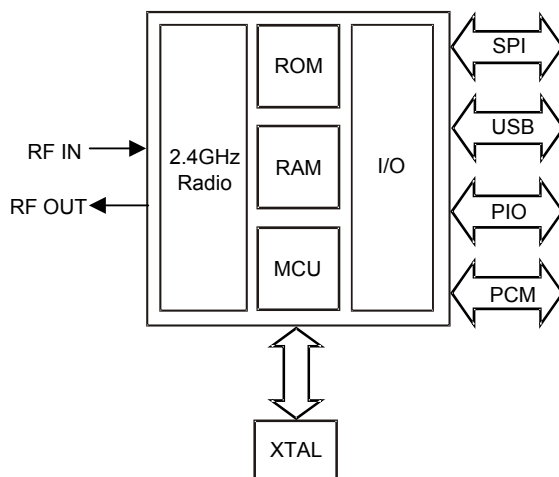


Figure 1: BlueCore2-HID System Architecture

BlueCore™2-HID

Single Chip Bluetooth® Device for HID Implementations

Data Sheet

BC213143A08

October 2003

Applications

- Mice
- Keyboards

Optical Sensors Supported

BlueCore2-HID supports the following optical sensor:

- ADNS-2030

User Configuration PS Keys

- Number of buttons
- Scroll wheel
- Keyboard mapping
- Special function keys
- Power management
- Status LED
- Battery monitor
- Power modes
- Choice of optical sensor
- Initiate Reconnect
- HID descriptors
- Customer specific VID/PID

These PS Keys are set once during development and are identical for every keyboard of the same type.

Module Specific PS Keys

- Unique Bluetooth address
- Crystal trim and frequency
- Power settings
- Fixed Pin

These PS Keys are set during production and are different for each individual keyboard.

Ordering Information

Interface Version	Package		Order Number
	Size	Shipment Method	
UART and USB	10mm x 10mm x 1.4 mm 96-ball LFBGA RF PnG	Tape and Reel	BC213143A08-BN-E4

To contact a CSR representative, send e-mail to sales@csr.com or go to www.csr.com/contacts.htm.

CSR U.S.
1651 N. Collins Blvd.
Suite 210
Richardson
TX75080
Tel: +1 (972) 238 2300
Fax: +1 (972) 231 1440
e-mail: sales@csr.com

CSR UK
Cambridge Science Park
Milton Road
Cambridge, CB4 0WH
United Kingdom
Tel: +44 (0) 1223 692 000
Fax: +44 (0) 1223 692 001
e-mail: sales@csr.com

CSR Denmark
Novi Science Park
Niels Jernes Vej 10
9220 Aalborg East
Denmark
Tel: +45 72 200 380
Fax: +45 96 354 599
e-mail: sales@csr.com

CSR Japan
CSR KK
Kojimachi KS Square 9F
5-3-3 Kojimachi
Chiyoda-ku, Tokyo
102-0083 Japan
Tel: +81 (0)3 5276 2911
Fax: +81 (0)3 5276 2915e-mail:
sales@csr.com

CSR Singapore
Blk 5, Ang Mo Kio
Industrial Park 2A,
AMK Tech II, #07-08
Singapore 567760
Tel: +65 6484 2212
Fax: +65 6484 2219
e-mail: sales@csr.com

CSR Korea
#104-404, Kukje Sanjang Apt
Shinlim 10-Dong, Kwanal-Ku
Seoul 151-767
Korea
e-mail: sales@csr.com

Bluetooth® and the Bluetooth logos are trademarks owned by Bluetooth SIG, Inc. and are licensed to CSR. **BlueCore™** is a trademark of CSR.

All other product, service and company names are trademarks, registered trademarks or service marks of their respective owners.

CSR's products are not authorised for use in life-support or safety-critical applications.