

Product Name : BlueSEM-CI Bluetooth V1.1 Module
Product ID : BTMZ7311A0

1. Features

- Bluetooth Spec. v1.1 Compliant
- Class 1 Level Output Power Available (Max. 20dBm)
- Firmware Upgrade Support
- Piconet Support : Up to 7 Slaves
- Nominal Supply voltage(Vcc, PA_Vcc) : 3.3 V
- Wide Supply Voltage Range 3V to 3.4V
- UART, USB, PCM Interface Available
- Low Power Consumption
- Built-in Flash Memory : 4Mbit or 8Mbit
- Competitive Size : 26X14X2.0(mm)



2. Applications

PCs, Mobile Phones, PDAs, Digital Camera, Printers, FAX, Headset, Other Peripheral Devices

3. Major Specifications

3.1 Radio

| Features | Unit | Bluetooth Specification | Module characteristic |
|---------------------------|------|-------------------------|-----------------------|
| Operating frequency range | MHz | 2402 ~ 2480 | 2402 ~ 2480 |
| Channel Bandwidth | MHz | 1 | 1 |
| Transmit power level | dBm | +20(Max) | +20(Max) |
| Frequency accuracy | KHz | +/- 75 | +/- 25 |
| Receiver sensitivity | dBm | -70 | -84(typ.) |

3.2 Baseband Operating frequency range

| | |
|----------------------|------------------|
| I/O Interface | UART/PCM/USB/SPI |
|----------------------|------------------|

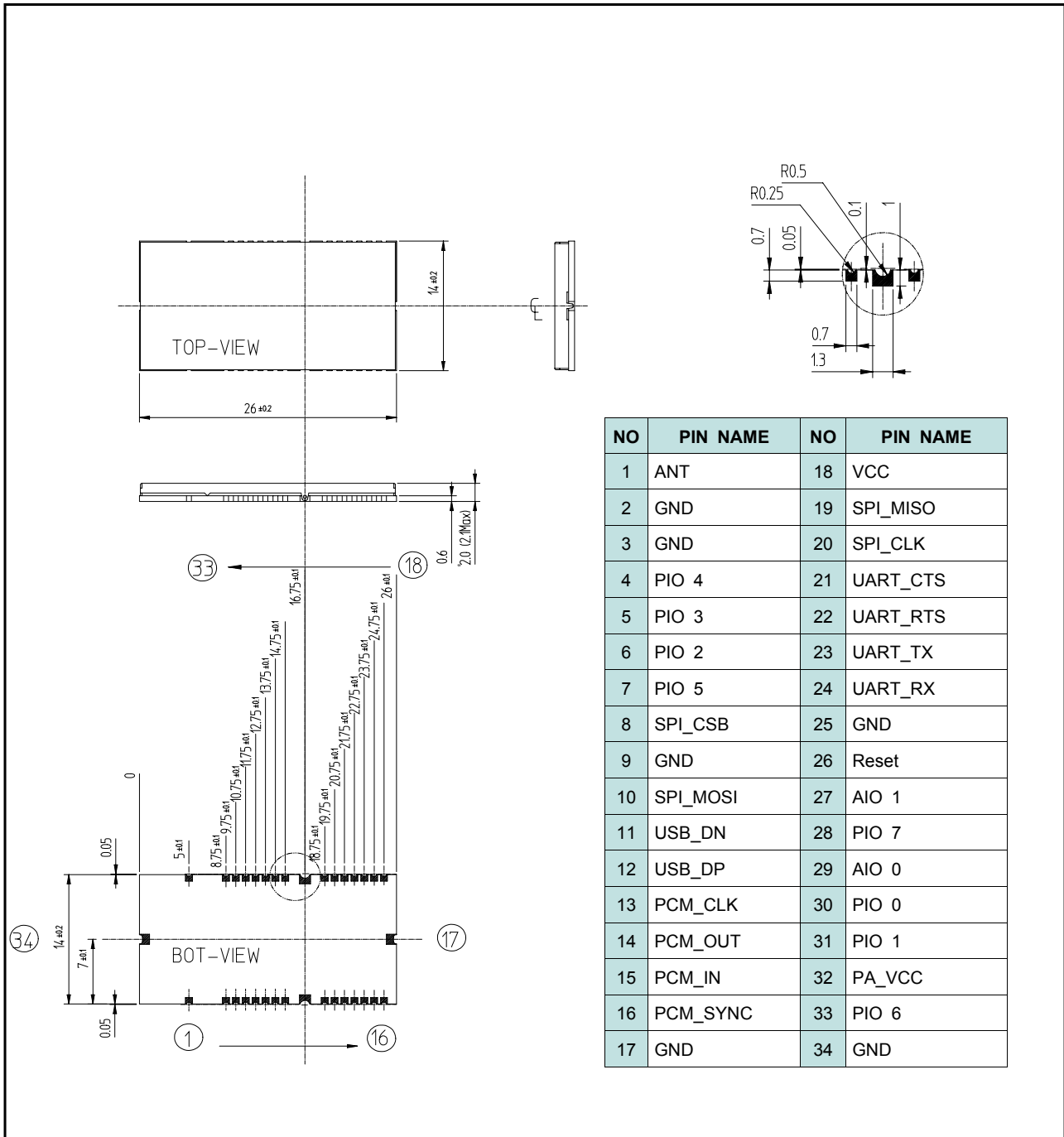
3.3 Surrounding

| | |
|--------------------|---|
| Temperature | -20 to 75 (in operating) / -40 to 85 (in storage) |
| Humidity | 95% Non-condensing |

3.4 Physical Dimension

| | |
|-------------|----------------|
| Size | 26X14X2.0 (mm) |
|-------------|----------------|

4. Physical Dimension



5. Block diagram

