

DS75176B/DS75176BT Multipoint RS-485/RS-422 Transceivers

General Description

The DS75176B is a high speed differential TRI-STATE® bus/line transceiver designed to meet the requirements of EIA standard RS485 with extended common mode range (+12V to -7V), for multipoint data transmission. In addition, it is compatible with RS-422.

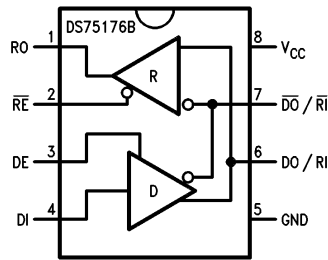
The driver and receiver outputs feature TRI-STATE capability, for the driver outputs over the entire common mode range of +12V to -7V. Bus contention or fault situations that cause excessive power dissipation within the device are handled by a thermal shutdown circuit, which forces the driver outputs into the high impedance state.

DC specifications are guaranteed over the 0 to 70°C temperature and 4.75V to 5.25V supply voltage range.

Features

- Meets EIA standard RS485 for multipoint bus transmission and is compatible with RS-422.
- Small Outline (SO) Package option available for minimum board space.
- 22 ns driver propagation delays.
- Single +5V supply.
- -7V to +12V bus common mode range permits $\pm 7V$ ground difference between devices on the bus.
- Thermal shutdown protection.
- High impedance to bus with driver in TRI-STATE or with power off, over the entire common mode range allows the unused devices on the bus to be powered down.
- Pin out compatible with DS3695/A and SN75176A/B.
- Combined impedance of a driver output and receiver input is less than one RS485 unit load, allowing up to 32 transceivers on the bus.
- 70 mV typical receiver hysteresis.

Connection and Logic Diagram



TL/F/8759-1

Top View

Order Number DS75176BN, DS75176BTN, DS75176BM or DS75176BTM
See NS Package Number N08E or M08A

Absolute Maximum Ratings (Note 1)

If Military/Aerospace specified devices are required, please contact the National Semiconductor Sales Office/Distributors for availability and specifications.

Supply Voltage, V_{CC}	7V
Control Input Voltages	7V
Driver Input Voltage	7V
Driver Output Voltages	+15V/ -10V
Receiver Input Voltages (DS75176B)	+15V/ -10V
Receiver Output Voltage	5.5V
Continuous Power Dissipation @25°C	
for M Package	675 mW (Note 5)
for N Package	900 mW (Note 4)

Storage Temperature Range	-65°C to +150°C
Lead Temperature (Soldering, 4 seconds)	260°C

Recommended Operating Conditions

	Min	Max	Units
Supply Voltage, V_{CC}	4.75	5.25	V
Voltage at Any Bus Terminal (Separate or Common Mode)	-7	+12	V
Operating Free Air Temperature T_A			
DS75176B	0	+70	°C
DS75176BT	-40	+85	°C
Differential Input Voltage, VID (Note 6)	-12	+12	V

Electrical Characteristics (Notes 2 and 3)

0°C ≤ T_A ≤ 70°C, 4.75V < V_{CC} < 5.25V unless otherwise specified

Symbol	Parameter	Conditions	Min	Typ	Max	Units	
V_{OD1}	Differential Driver Output Voltage (Unloaded)	$I_O = 0$			5	V	
V_{OD2}	Differential Driver Output Voltage (with Load)	(Figure 1) $R = 50\Omega$; (RS-422) (Note 7)	2			V	
		$R = 27\Omega$; (RS-485)	1.5			V	
ΔV_{OD}	Change in Magnitude of Driver Differential Output Voltage For Complementary Output States	(Figure 1) $R = 27\Omega$			0.2	V	
V_{OC}	Driver Common Mode Output Voltage				3.0	V	
$\Delta V_{OC} $	Change in Magnitude of Driver Common Mode Output Voltage For Complementary Output States				0.2	V	
V_{IH}	Input High Voltage	DI, DE, RE, E	2			V	
V_{IL}	Input Low Voltage				0.8		
V_{CL}	Input Clamp Voltage		$I_{IN} = -18 \text{ mA}$			-1.5	
I_{IL}	Input Low Current		$V_{IL} = 0.4 \text{ V}$			-200	μA
I_{IH}	Input High Current		$V_{IH} = 2.4 \text{ V}$			20	μA
I_{IN}	Input Current		$V_{CC} = 0 \text{ V or } 5.25 \text{ V}$ $DE = 0 \text{ V}$			+1.0	mA
					-0.8	mA	
V_{TH}	Differential Input Threshold Voltage for Receiver	$-7 \text{ V} \leq V_{CM} \leq +12 \text{ V}$	-0.2		+0.2	V	
ΔV_{TH}	Receiver Input Hysteresis	$V_{CM} = 0 \text{ V}$		70		mV	
V_{OH}	Receiver Output High Voltage	$I_{OH} = -400 \mu\text{A}$	2.7			V	
V_{OL}	Output Low Voltage	RO $I_{OL} = 16 \text{ mA}$ (Note 7)			0.5	V	
I_{OZR}	OFF-State (High Impedance) Output Current at Receiver	$V_{CC} = \text{Max}$ $0.4 \text{ V} \leq V_O \leq 2.4 \text{ V}$			±20	μA	
R_{IN}	Receiver Input Resistance	$-7 \text{ V} \leq V_{CM} \leq +12 \text{ V}$	12			$\text{k}\Omega$	
I_{CC}	Supply Current	No Load (Note 7)			55	mA	
		Driver Outputs Enabled Driver Outputs Disabled			35	mA	

Electrical Characteristics (Notes 2 and 3)

$0^{\circ}\text{C} \leq T_A \leq 70^{\circ}\text{C}$, $4.75\text{V} < V_{\text{CC}} < 5.25\text{V}$ unless otherwise specified (Continued)

Symbol	Parameter	Conditions	Min	Typ	Max	Units
I_{OSD}	Driver Short-Circuit Output Current	$V_{\text{O}} = -7\text{V}$ (Note 7)			-250	mA
		$V_{\text{O}} = +12\text{V}$ (Note 7)			+250	mA
I_{OSR}	Receiver Short-Circuit Output Current	$V_{\text{O}} = 0\text{V}$	-15		-85	mA

Note 1: "Absolute Maximum Ratings" are those beyond which the safety of the device cannot be guaranteed. They are not meant to imply that the device should be operated at these limits. The tables of "Electrical Characteristics" provide conditions for actual device operation.

Note 2: All currents into device pins are positive; all currents out of device pins are negative. All voltages are referenced to device ground unless otherwise specified.

Note 3: All typicals are given for $V_{\text{CC}} = 5\text{V}$ and $T_A = 25^{\circ}\text{C}$.

Note 4: Derate linearly at $5.56\text{ mW}/^{\circ}\text{C}$ to 650 mW at 70°C .

Note 5: Derate linearly @ $6.11\text{ mW}/^{\circ}\text{C}$ to 400 mW at 70°C .

Note 6: Differential - Input/Output bus voltage is measured at the noninverting terminal A with respect to the inverting terminal B.

Note 7: All worst case parameters for which note 7 is applied, must be increased by 10% for DS75176BT. The other parameters remain valid for $-40^{\circ}\text{C} < T_A < +85^{\circ}\text{C}$.

Switching Characteristics $V_{\text{CC}} = 5.0\text{V}$, $T_A = 25^{\circ}\text{C}$

Symbol	Parameter	Conditions	Min	Typ	Max	Units
t_{PLH}	Driver Input to Output	$R_{\text{LDIFF}} = 60\Omega$ $C_{\text{L1}} = C_{\text{L2}} = 100\text{ pF}$		12	22	ns
t_{PHL}	Driver Input to Output			17	22	ns
t_{r}	Driver Rise Time	$R_{\text{LDIFF}} = 60\Omega$ $C_{\text{L1}} = C_{\text{L2}} = 100\text{ pF}$ (Figures 3 and 5)			18	ns
t_{f}	Driver Fall Time				18	ns
t_{ZH}	Driver Enable to Output High	$C_{\text{L}} = 100\text{ pF}$ (Figures 4 and 6) S1 Open		29	100	ns
t_{ZL}	Driver Enable to Output Low	$C_{\text{L}} = 100\text{ pF}$ (Figures 4 and 6) S2 Open		31	60	ns
t_{LZ}	Driver Disable Time from Low	$C_{\text{L}} = 15\text{ pF}$ (Figures 4 and 6) S2 Open		13	30	ns
t_{HZ}	Driver Disable Time from High	$C_{\text{L}} = 15\text{ pF}$ (Figures 4 and 6) S1 Open		19	200	ns
t_{PLH}	Receiver Input to Output	$C_{\text{L}} = 15\text{ pF}$ (Figures 2 and 7) S1 and S2 Closed		30	37	ns
t_{PHL}	Receiver Input to Output			32	37	ns
t_{ZL}	Receiver Enable to Output Low	$C_{\text{L}} = 15\text{ pF}$ (Figures 2 and 8) S2 Open		15	20	ns
t_{ZH}	Receiver Enable to Output High	$C_{\text{L}} = 15\text{ pF}$ (Figures 2 and 8) S1 Open		11	20	ns
t_{LZ}	Receiver Disable from Low	$C_{\text{L}} = 15\text{ pF}$ (Figures 2 and 8) S2 Open		28	32	ns
t_{HZ}	Receiver Disable from High	$C_{\text{L}} = 15\text{ pF}$ (Figures 2 and 8) S1 Open		13	35	ns

AC Test Circuits

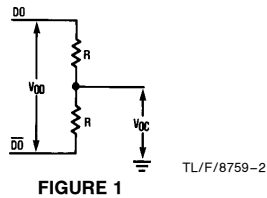
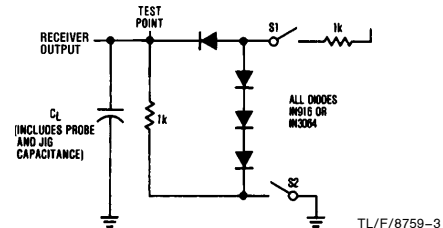


FIGURE 1



Note: S1 and S2 of load circuit are closed except as otherwise mentioned.

FIGURE 2

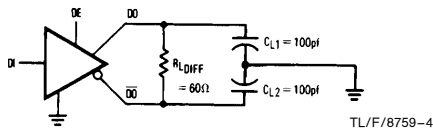
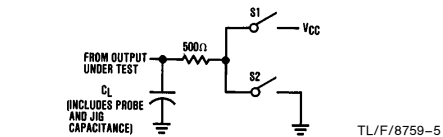


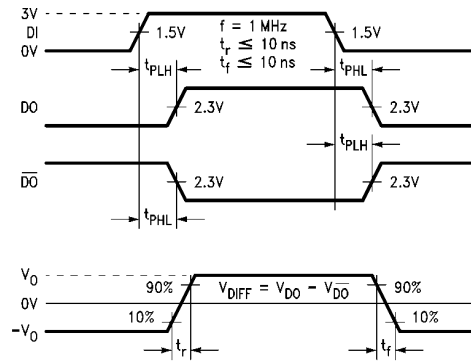
FIGURE 3



Note: Unless otherwise specified the switches are closed.

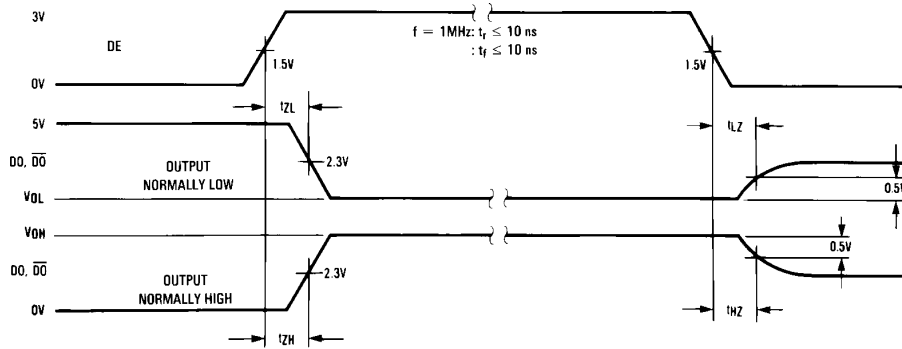
FIGURE 4

Switching Time Waveforms



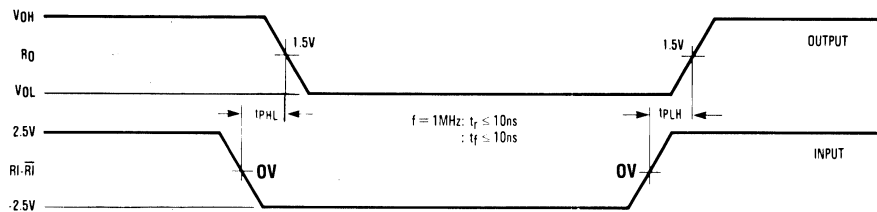
TL/F/8759-6

FIGURE 5. Driver Propagation Delays and Transition Times



TL/F/8759-7

FIGURE 6. Driver Enable and Disable Times



TL/F/8759-8

Note: Differential input voltage may be realized by grounding $\overline{R1}$ and pulsing $R1$ between +2.5V and -2.5V

FIGURE 7. Receiver Propagation Delays

Switching Time Waveforms (Continued)

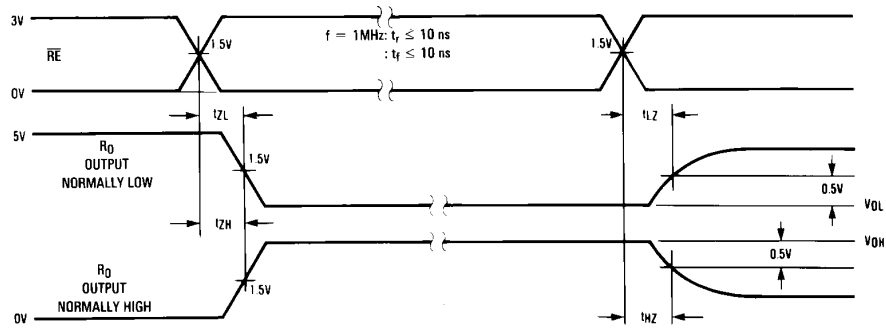


FIGURE 8. Receiver Enable and Disable Times

TL/F/8759-9

Function Tables

DS75176B Transmitting

Inputs			Line Condition	Outputs	
RE	DE	DI		DO	DO
X	1	1	No Fault	0	1
X	1	0	No Fault	1	0
X	0	X	X	Z	Z
X	1	X	Fault	Z	Z

DS75176B Receiving

Inputs			Outputs
RE	DE	RI-RI	RO
0	0	$\geq +0.2V$	1
0	0	$\leq -0.2V$	0
0	0	Inputs Open**	1
1	0	X	Z

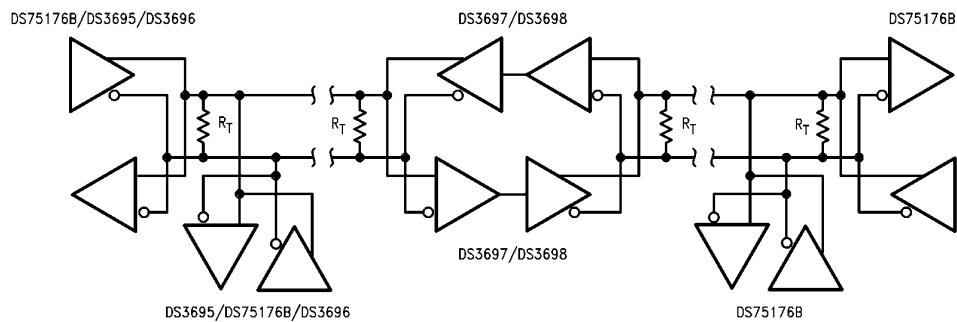
X — Don't care condition

Z — High impedance state

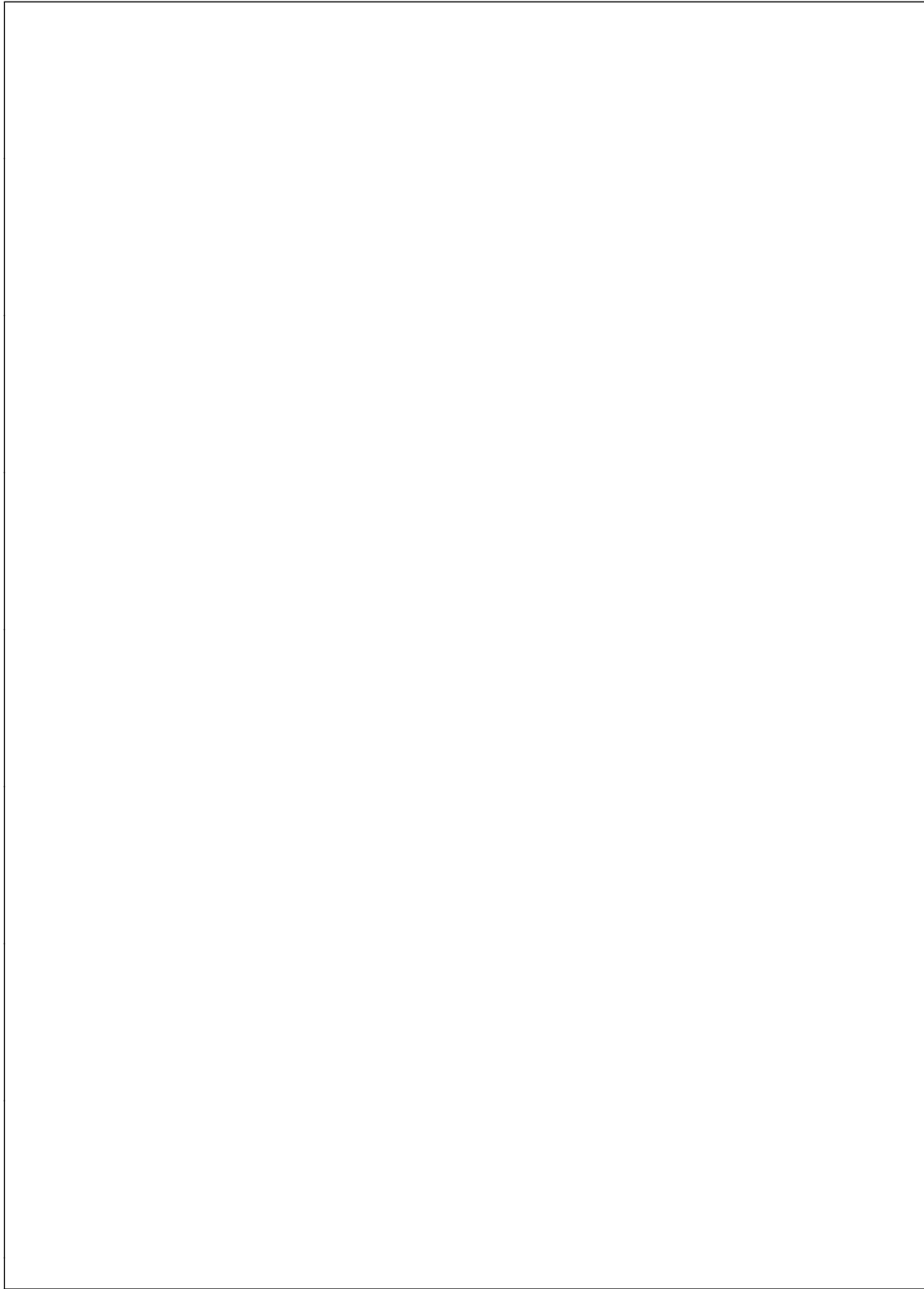
Fault — Improper line conditions causing excessive power dissipation in the driver, such as shorts or bus contention situations

**This is a fail safe condition

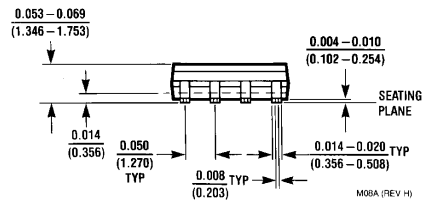
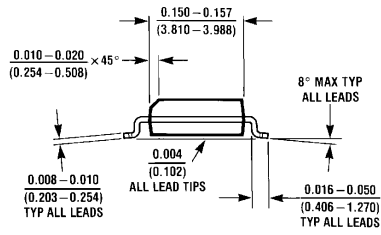
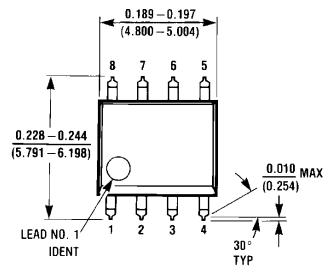
Typical Application



TL/F/8759-11



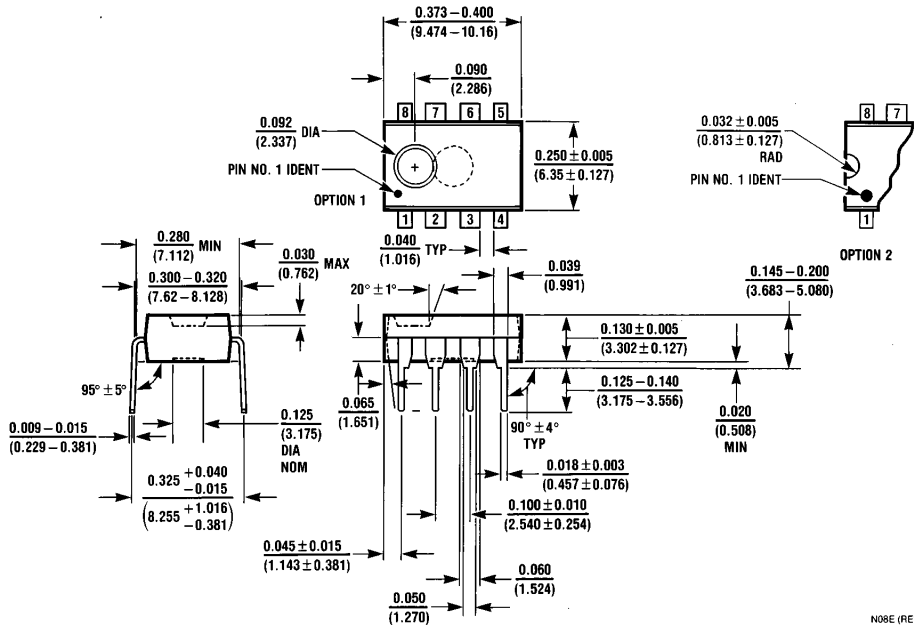
Physical Dimensions inches (millimeters)



Small Outline Package (M)
Order Number DS75176BM or DS75176BTM
NS Package Number M08A

Physical Dimensions inches (millimeters) (Continued)

Lit. # 103669



Molded Dual-In-Line Package (N)
Order Number DS75176BN or DS75176BTN
NS Package Number N08E

LIFE SUPPORT POLICY

NATIONAL'S PRODUCTS ARE NOT AUTHORIZED FOR USE AS CRITICAL COMPONENTS IN LIFE SUPPORT DEVICES OR SYSTEMS WITHOUT THE EXPRESS WRITTEN APPROVAL OF THE PRESIDENT OF NATIONAL SEMICONDUCTOR CORPORATION. As used herein:

1. Life support devices or systems are devices or systems which, (a) are intended for surgical implant into the body, or (b) support or sustain life, and whose failure to perform, when properly used in accordance with instructions for use provided in the labeling, can be reasonably expected to result in a significant injury to the user.
2. A critical component is any component of a life support device or system whose failure to perform can be reasonably expected to cause the failure of the life support device or system, or to affect its safety or effectiveness.



National Semiconductor Corporation
 1111 West Bardin Road
 Arlington, TX 76017
 Tel: 1(800) 272-9959
 Fax: 1(800) 737-7018

<http://www.national.com>

National Semiconductor Europe

Fax: +49 (0) 180-530 85 86
 Email: europe.support@nsc.com
 Deutsch Tel: +49 (0) 180-530 85 85
 English Tel: +49 (0) 180-532 78 32
 Français Tel: +49 (0) 180-532 93 58
 Italiano Tel: +49 (0) 180-534 16 80

National Semiconductor Hong Kong Ltd.

19th Floor, Straight Block,
 Ocean Centre, 5 Canton Rd.
 Tsimshatsui, Kowloon
 Hong Kong
 Tel: (852) 2737-1600
 Fax: (852) 2736-9960

National Semiconductor Japan Ltd.

Tel: 81-043-299-2308
 Fax: 81-043-299-2408

National does not assume any responsibility for use of any circuitry described, no circuit patent licenses are implied and National reserves the right at any time without notice to change said circuitry and specifications.