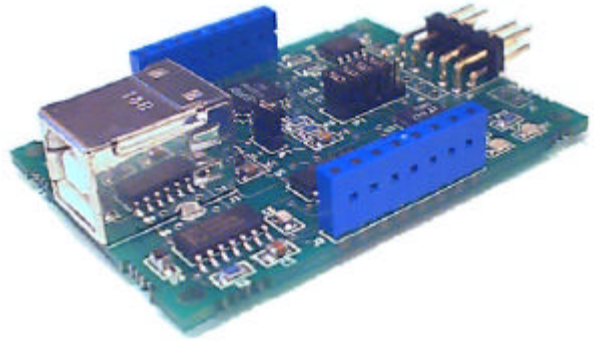


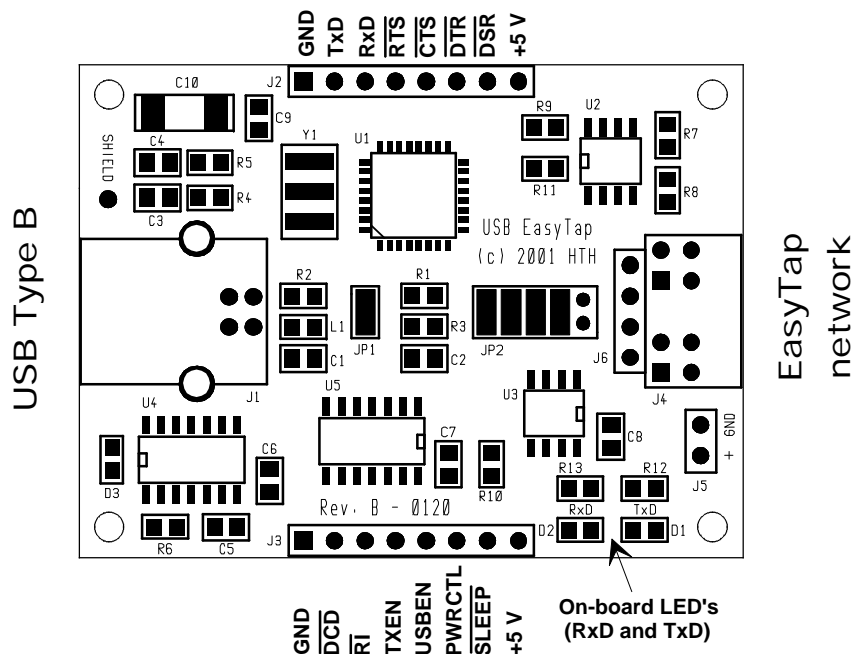
## USB interfacing without aspirins!



The **USB EasyTap** module is a generic USB < > serial converter and provides a painless way to get your project interfaced to the otherwise complex USB port on your PC. No need to worry about writing your own device drivers since they are included. It can be used in several different ways depending on your needs. By adding a standard TTL < > RS-232 level converter it works like a high speed USB < > RS-232 adapter (with or without hardware handshaking) and you can use it to interface any legacy RS-232 product.

If your need is to interface a MCU (BASIC Stamp, AVR, PIC, SX, 8051, 68HC11 etc.) to the USB port you can do this directly without using any TTL < > RS-232 level converter and therefore skip the added costs (and space) for a level converter.

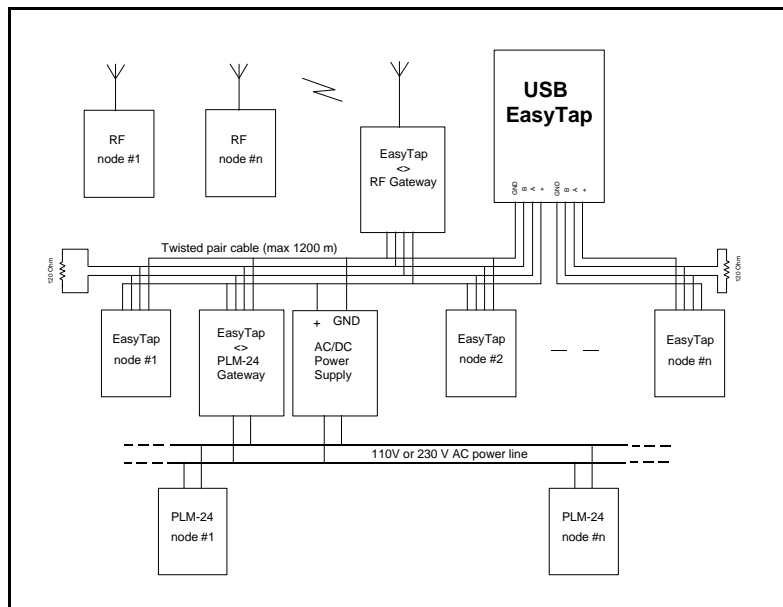
The third option you have is to use the integrated **EasyTap** network to build a multi master (or master-slave) control network connecting other network nodes via twisted pair cable up to 1200 meters (4000 ft) in a very cost effective way.



Whatever interfacing method you choose you communicate with your hardware just like it was connected via a standard high speed serial port thanks to the included Virtual COM Port driver. This means that all your old tools (OCX's, Delphi components, LIB's etc.) and source code works just like before but your hardware is interfaced via the USB port.

# USB EasyTap™

So what is this **EasyTap** network thing? Technically speaking it's a RS-485 half-duplex network with a carrier detect. This allows you to build a multi master (or master-slave) control network connecting other network nodes via twisted pair cable up to 1200 meters (4000 ft) in a very cost effective way.



Left is an example on a network that connects several network nodes as well as using different media gateways and thanks to the gateways all network nodes are all part of the **same** network.

The **EasyTap** network is totally protocol independent. You can use our free **S.N.A.P** network protocol available at...

<http://www.hth.com/snap/>

or any other protocol you want!

Currently **USB EasyTap** only supports computers running Windows 98/ME/2K/XP but iMac and Linux drivers are planned (contact us for more information).

- Accessed as a standard COM port.
- Drivers for Win 98/ME/2000/XP included.
- Plug & Play - plug it directly into a USB port.
- Fully emulates a COM port with or without hardware handshake.
- Port address select able (COM1-COM256).
- No power supply required, powered by the USB port.
- All serial port and USB status signals available on pin headers.
- Support serial speeds 300 bps - 920 kbps.
- Onboard Rx/D and Tx/D status LED's.
- USB 1.1 specification compliant.
- Up to USB EasyTap's 127 can be connected to one USB port.
- Integrated EasyTap network (RS-485).
- Auto transmit control for EasyTap network.
- Comes with 3.5" disk and a Quick Start Guide.
- USB EasyTap module size 56 x 41 x 13 mm.

For more technical information and ordering information please visit our web-site at the URL given below or send e-mail to [info@hth.com](mailto:info@hth.com).

<http://www.hth.com/easytap/>