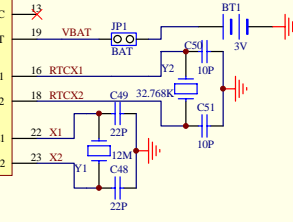
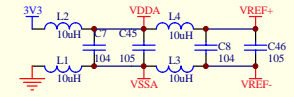
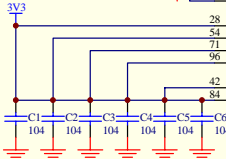
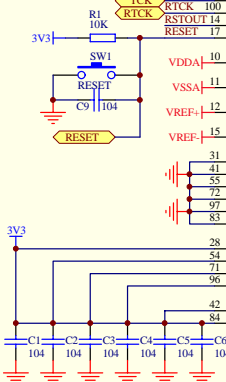
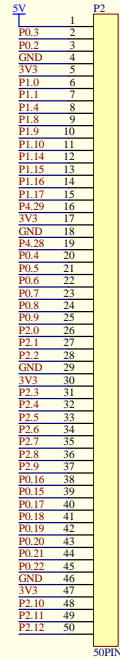
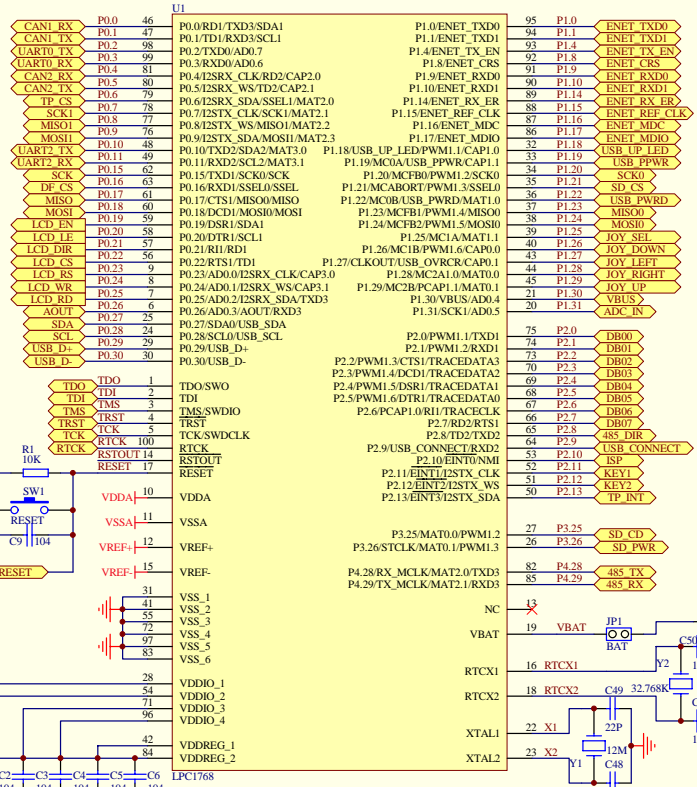
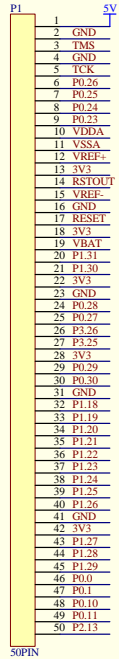
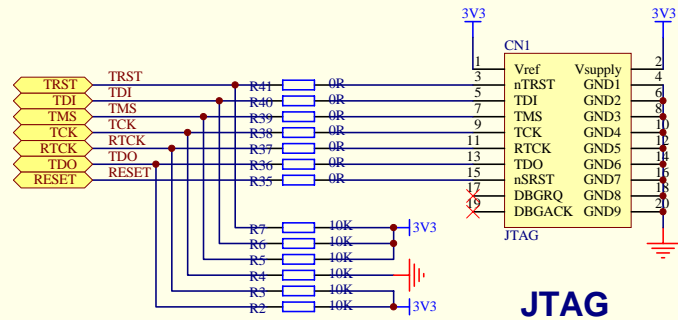


Title		
Size	Number	Revision
A4		
Date:	14-Apr-2010	Sheet of
File:	G:\LandTiger.Ddb	Drawn By:

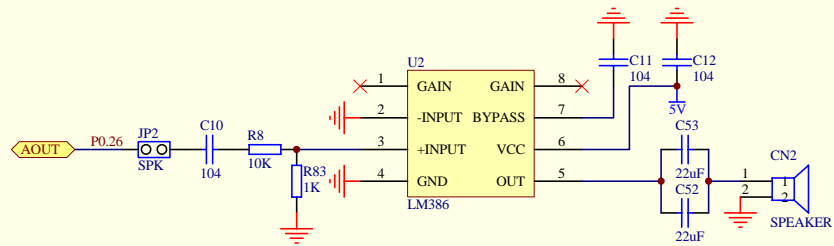
CPU



Title		
Size	Number	Revision
B		
Date:	14-Apr-2010	Sheet of
File:	G:\Land\Fuger.Ddb	Drawn By:

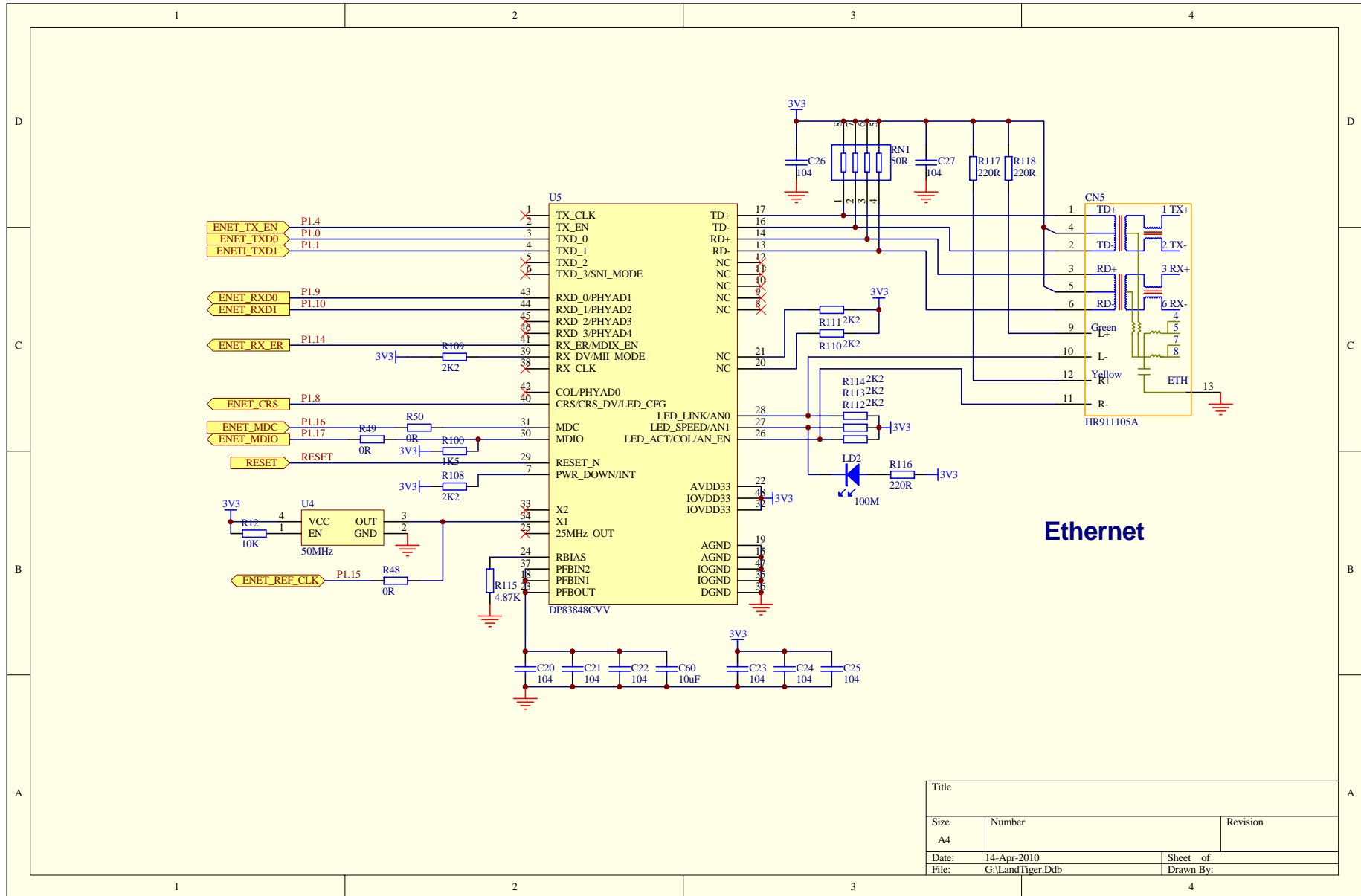


JTAG



Speaker

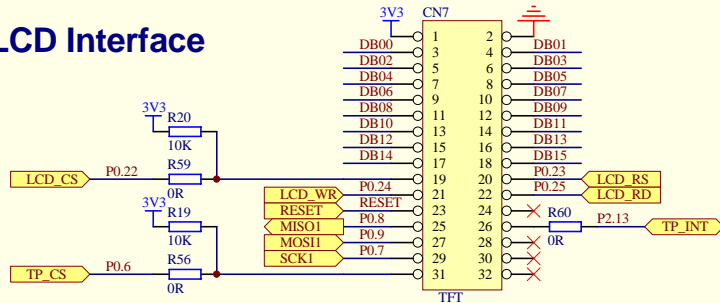
Title		
Size	Number	Revision
A4		
Date:	14-Apr-2010	Sheet of
File:	G:\LandTiger.Ddb	Drawn By:



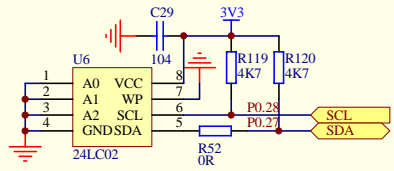
Ethernet

Title		
Size	Number	Revision
A4		
Date:	14-Apr-2010	Sheet of
File:	G:\LandTiger.Ddb	Drawn By:

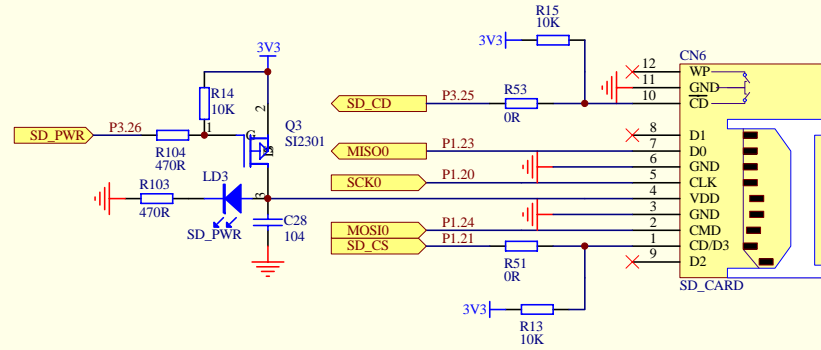
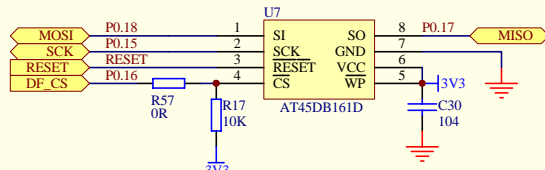
LCD Interface



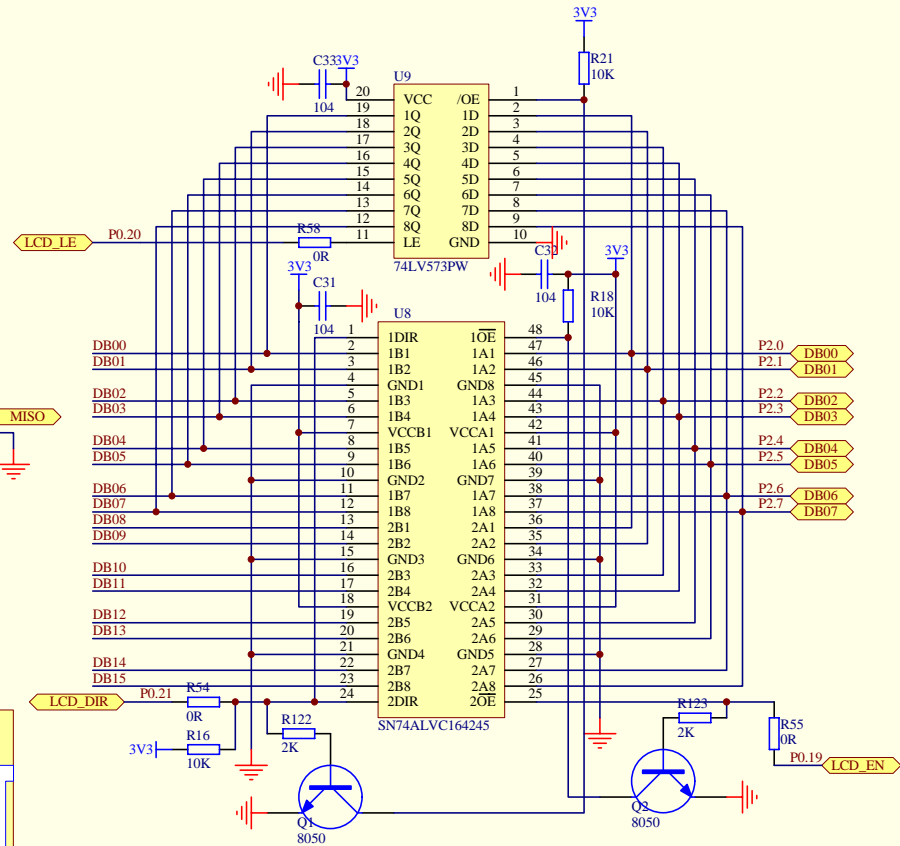
EEPROM



Data Flash



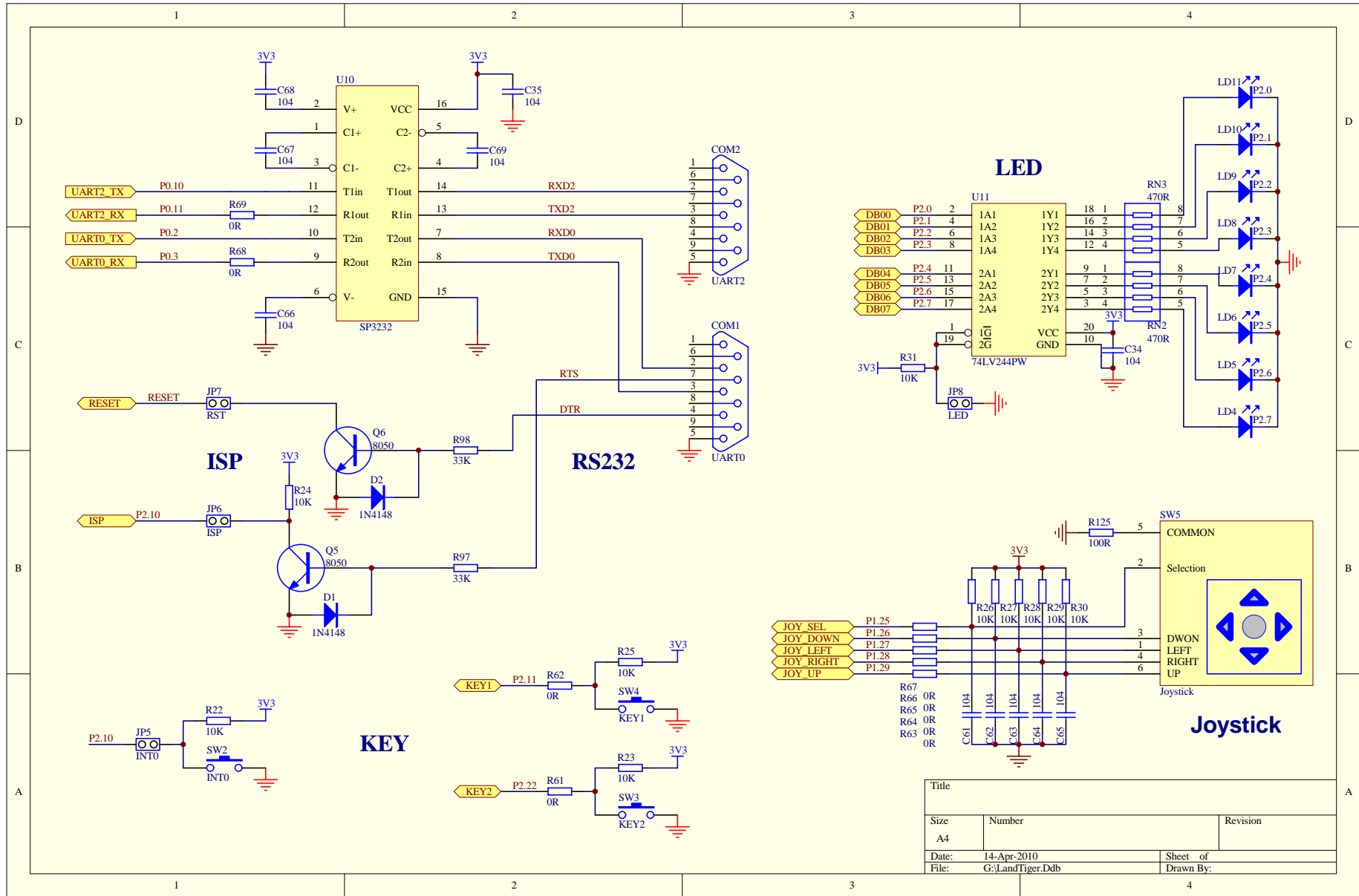
SD_CARD



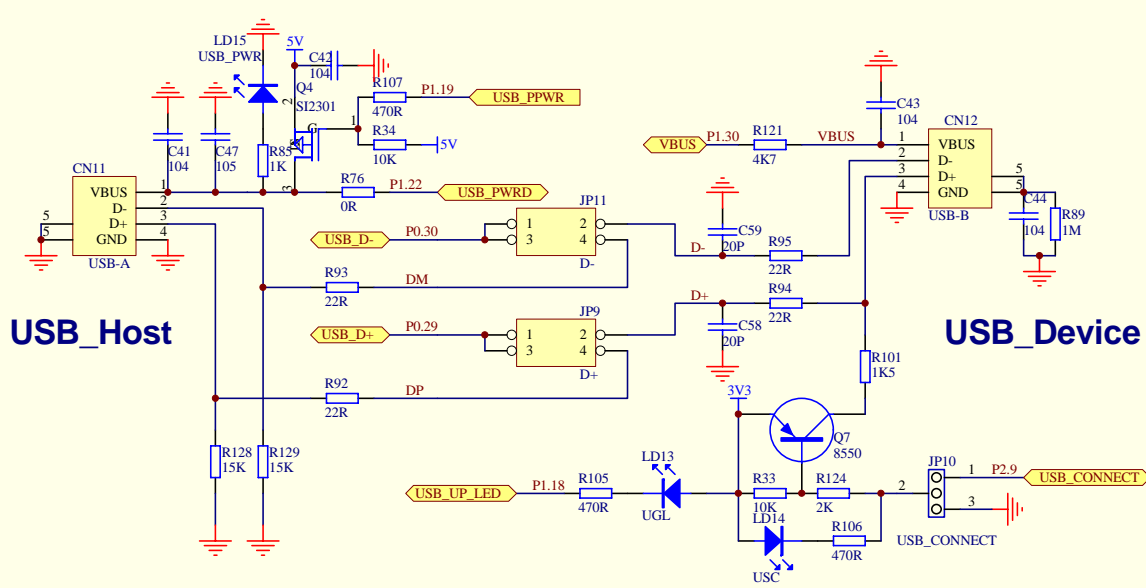
LCD 8-bit to 16-bit Conversion

LCD_DIR = 1 A->B
 LCD_DIR = 0 B->A

Title		
Size	Number	Revision
A4		
Date:	14-Apr-2010	Sheet of
File:	G:\LandTiger.Ddb	Drawn By:

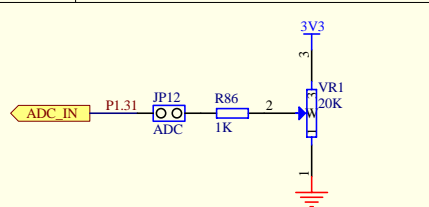


Title		
Size	Number	Revision
A4		
Date:	14-Apr-2010	Sheet of
File:	G:\LandTiger.Ddb	Drawn By:

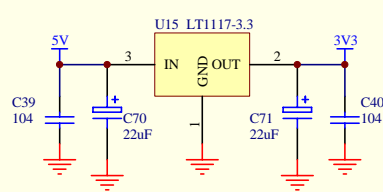


USB_Host

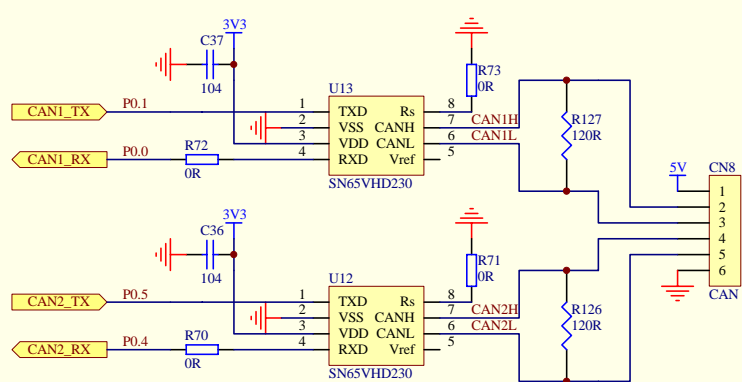
USB_Device



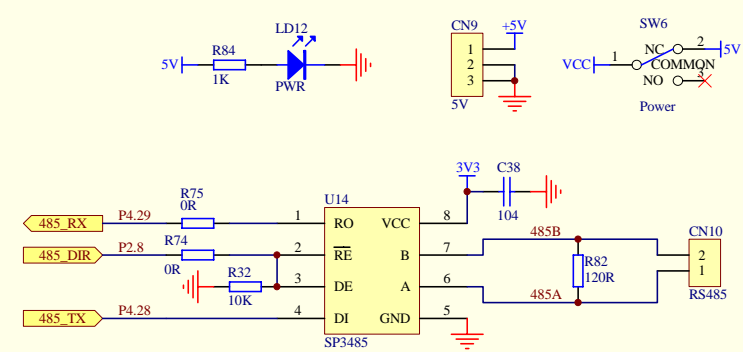
Potentio Meter



Power



CAN_Bus



RS485

Title		
Size	Number	Revision
A4		
Date:	14-Apr-2010	Sheet of
File:	G:\LandTiger.Ddb	Drawn By: