



# Product Specification

M220EW01 V0

AU OPTRONICS CORPORATION

( V ) Preliminary Specification

( ) Final Specification

<b>Module</b>	22" WXGA+ Color TFT-LCD
<b>Model Name</b>	M220EW01 V0

<b>Customer</b>	<b>Date</b>
_____	_____
<b>Approved by</b>	
_____	_____

<b>Checked &amp; Approved by</b>	<b>Date</b>
<i>CC Chiu</i>	2006/06/28
<b>Prepared by</b>	
<i>Jimmy Chiu</i>	2006/06/28

Note: This Specification is subject to change without notice.

Desktop Display Business Group /  
AU Optronics corporation



## Contents

<b>1. Handling Precautions</b> .....	<b>4</b>
<b>2. General Description</b> .....	<b>5</b>
2.1 Display Characteristics .....	5
<b>3. Functional Block Diagram</b> .....	<b>10</b>
<b>4. Absolute Maximum Ratings</b> .....	<b>11</b>
4.1 Absolute Ratings of TFT LCD Module .....	11
4.2 Absolute Ratings of Backlight Unit .....	11
4.3 Absolute Ratings of Environment .....	12
<b>5. Electrical characteristics</b> .....	<b>13</b>
5.1 TFT LCD Module .....	13
5.2 Backlight Unit .....	15
<b>6. Signal Characteristic</b> .....	<b>16</b>
6.1 Pixel Format Image .....	16
6.2 The Input Data Format .....	17
6.4 Interface Timing .....	20
6.5 Power ON/OFF Sequence .....	22
<b>7. Connector &amp; Pin Assignment</b> .....	<b>23</b>
7.1 TFT LCD Module .....	23
7.2 Backlight Unit .....	24
<b>8. Reliability Test</b> .....	<b>25</b>
<b>9. Shipping Label</b> .....	<b>26</b>
<b>10. Mechanical Characteristics</b> .....	<b>27</b>

## Record of Revision

Version and Date	Page	Old description	New Description	Remark																																																						
0.1 2006/04/28	All	First Edition for Customer	All																																																							
0.2 2006/06/26	21	<b>6.4.2 Timing Diagram</b> 	<b>6.4.2 Timing Diagram</b> <b>Diving timing (MS/Rate Clock)</b> <table border="1" style="margin-left: auto; margin-right: auto;"> <tr><td>Parameter</td><td>Value</td></tr> <tr><td>Frame rate</td><td>59.9 Hz</td></tr> </table> <p>Vertical Timing</p> <table border="1" style="margin-left: auto; margin-right: auto;"> <thead> <tr> <th>Item</th> <th>T1 Vertical</th> <th>T2</th> <th>TSVSYNC</th> <th>T3</th> <th>TSVSYNC</th> <th>TSVSYNC</th> </tr> <tr> <td></td> <td>Blank</td> <td>Active Field</td> <td>Front Panel</td> <td>Frame Line</td> <td>Width</td> <td>Back Panel</td> </tr> </thead> <tbody> <tr> <td>Value</td> <td>0.25 us</td> <td>168 us</td> <td>100 us</td> <td>106 us</td> <td>100 us</td> <td>100 us</td> </tr> </tbody> </table> <p>Horizontal Timing</p> <table border="1" style="margin-left: auto; margin-right: auto;"> <thead> <tr> <th>Item</th> <th>T1 Horizontal</th> <th>T3</th> <th>THSNC</th> <th>T5</th> <th>THSNC</th> <th>THSNC</th> </tr> <tr> <td></td> <td>Blank</td> <td>Active Field</td> <td>Front Panel</td> <td>Frame Line</td> <td>Width</td> <td>Back Panel</td> </tr> </thead> <tbody> <tr> <td>Value</td> <td>30 us</td> <td>118 us</td> <td>100 us</td> <td>106 us</td> <td>100 us</td> <td>100 us</td> </tr> </tbody> </table> <p>DH Timing</p> <table border="1" style="margin-left: auto; margin-right: auto;"> <thead> <tr> <th>Item</th> <th>Clock Frequency</th> <th>Data Clock Frequency</th> <th>Clock Period</th> </tr> </thead> <tbody> <tr> <td>Value</td> <td>44.2 Mr</td> <td>72.1 Mr</td> <td>138 ns</td> </tr> </tbody> </table>	Parameter	Value	Frame rate	59.9 Hz	Item	T1 Vertical	T2	TSVSYNC	T3	TSVSYNC	TSVSYNC		Blank	Active Field	Front Panel	Frame Line	Width	Back Panel	Value	0.25 us	168 us	100 us	106 us	100 us	100 us	Item	T1 Horizontal	T3	THSNC	T5	THSNC	THSNC		Blank	Active Field	Front Panel	Frame Line	Width	Back Panel	Value	30 us	118 us	100 us	106 us	100 us	100 us	Item	Clock Frequency	Data Clock Frequency	Clock Period	Value	44.2 Mr	72.1 Mr	138 ns	Revised
Parameter	Value																																																									
Frame rate	59.9 Hz																																																									
Item	T1 Vertical	T2	TSVSYNC	T3	TSVSYNC	TSVSYNC																																																				
	Blank	Active Field	Front Panel	Frame Line	Width	Back Panel																																																				
Value	0.25 us	168 us	100 us	106 us	100 us	100 us																																																				
Item	T1 Horizontal	T3	THSNC	T5	THSNC	THSNC																																																				
	Blank	Active Field	Front Panel	Frame Line	Width	Back Panel																																																				
Value	30 us	118 us	100 us	106 us	100 us	100 us																																																				
Item	Clock Frequency	Data Clock Frequency	Clock Period																																																							
Value	44.2 Mr	72.1 Mr	138 ns																																																							
0.2 2006/06/26	5	Power Consumption (VDD line + CCFL line)	[Watt] TBD	Power Consumption (VDD line + CCFL line)	[Watt] 28.5W (Typ) (Without Inverter, All black pattern)	Revised																																																				
0.2 2006/06/26	10	JAE FI-XB30SSL-HF15	JAE FI-XB30SSRL-HF16	Revised																																																						
0.2 2006/06/26	11	Logic/LCD Drive Voltage (Min: -0.3V)	Logic/LCD Drive Voltage (Min: 4.5V)	Revised																																																						
0.2 2006/06/26	13	IDD (Typ:TBD/ Max:1272)(mA); 75Hz	IDD (Typ:1000/ Max:1400)(mA); 60Hz	Revised																																																						
0.2 2006/06/26	13	PDD (Typ:TBD); 75Hz	PDD (Typ:5 Watt); 60Hz	Revised																																																						
0.2 2006/06/26	14	VICM (Min: VID /2; Max:VDD-0.4- VID /2)	VICM (Min:0.3; Max:1.25)	Revised																																																						
0.2 2006/06/26	20	Frame rate (Max: blank)	Frame rate (Max:75 Hz)	Revised																																																						
0.2 2006/06/26	23	<table border="1" style="width: 100%;"> <tr> <td>Manufacturer</td> <td>LVDS: LG/ JAE compatible</td> </tr> <tr> <td>Type Part Number</td> <td>LVDS :GT103-30S-HR16/ FI-XB30SSRL-HF16</td> </tr> </table>	Manufacturer	LVDS: LG/ JAE compatible	Type Part Number	LVDS :GT103-30S-HR16/ FI-XB30SSRL-HF16	<table border="1" style="width: 100%;"> <tr> <td>Manufacturer</td> <td>LVDS: HIROSE/JAE compatible</td> </tr> <tr> <td>Type Part Number</td> <td>LVDS:MDF76URW-30S-1H/ FI-XB30SSRL-HF16</td> </tr> </table>	Manufacturer	LVDS: HIROSE/JAE compatible	Type Part Number	LVDS:MDF76URW-30S-1H/ FI-XB30SSRL-HF16	Revised																																														
Manufacturer	LVDS: LG/ JAE compatible																																																									
Type Part Number	LVDS :GT103-30S-HR16/ FI-XB30SSRL-HF16																																																									
Manufacturer	LVDS: HIROSE/JAE compatible																																																									
Type Part Number	LVDS:MDF76URW-30S-1H/ FI-XB30SSRL-HF16																																																									
0.3 2006/06/28	27,28	Mechanical Characteristics Length of lamp wire =110mm	Mechanical Characteristics Length of lamp wire =130mm	Revised																																																						



## 1. Handling Precautions

- 1) Since front polarizer is easily damaged, pay attention not to scratch it.
- 2) Be sure to turn off power supply when inserting or disconnecting from input connector.
- 3) Wipe off water drop immediately. Long contact with water may cause discoloration or spots.
- 4) When the panel surface is soiled, wipe it with absorbent cotton or other soft cloth.
- 5) Since the panel is made of glass, it may break or crack if dropped or bumped on hard surface.
- 6) Since CMOS LSI is used in this module, take care of static electricity and insure human earth when handling.
- 7) Do not open or modify the Module Assembly.
- 8) Do not press the reflector sheet at the back of the module to any directions.
- 9) In case if a Module has to be put back into the packing container slot after once it was taken out from the container, do not press the center of the CCFL reflector edge. Instead, press at the far ends of the CCFL Reflector edge softly. Otherwise the TFT Module may be damaged.
- 10) At the insertion or removal of the Signal Interface Connector, be sure not to rotate nor tilt the Interface Connector of the TFT Module.
- 11) After installation of the TFT Module into an enclosure, do not twist nor bend the TFT Module even momentary. At designing the enclosure, it should be taken into consideration that no bending/twisting forces are applied to the TFT Module from outside. Otherwise the TFT Module may be damaged.
- 12) Cold cathode fluorescent lamp in LCD contains a small amount of mercury. Please follow local ordinances or regulations for disposal.
- 13) Small amount of materials having no flammability grade is used in the LCD module. The LCD module should be supplied by power complied with requirements of Limited Power Source (IEC60950 or UL1950), or be applied exemption.
- 14) The LCD module is designed so that the CCFL in it is supplied by Limited Current Circuit (IEC60950 or UL1950). Do not connect the CCFL in Hazardous Voltage Circuit.



## 2. General Description

This specification applies to the 22 inch-wide Color TFT-LCD Module M220EW01.

The display supports the WSXGA+ (1680(H) x 1050(V)) screen format and 16.7M colors. All input signals are 2 Channel LVDS interface compatible.

This module does not contain an inverter card for backlight.

### 2.1 Display Characteristics

The following items are characteristics summary on the table under 25 °C condition:

Items	Unit	Specifications
Active Area	[mm]	473.76 (H) x 296.1(V)
Pixels H x V		1680x3(RGB) x 1050
Pixel Pitch	[mm]	0.282x 0.282
Pixel Arrangement		R.G.B. Vertical Stripe
Display Mode		TN Mode, Normally White
White Luminance	[cd/m <sup>2</sup> ]	300 cd/m <sup>2</sup> @ 7.0mA (Typ)
Contrast Ratio		1000:1 (Typ)
Optical ResponseTime	[msec]	5 (Typ, on/off)
Color Saturation		72% NTSC
Nominal Input Voltage VDD	[Volt]	+5.0 V
Power Consumption (VDD line + CCFL line)	[Watt]	28.5W (Typ) (Without Invertor, All black pattern)
Weight	[Grams]	TBD <b>Note1</b>
Physical Size (H x V x D)	[mm]	493.7(W) x 320.1(H) x 16.5(D) (Typ)
Electrical Interface		Dual Channel LVDS
Support Colors		16.7M colors (RGB 8-bits)
Temperature Range Operating Storage (Shipping)	[°C] [°C]	0 to +50 -20 to +60
Surface Treatment		Hard-coating (3H), Non-glare type
RoHS Compliance		RoHS Compliance

**Note1:** 3000 gm (Max)



## 2.2 Optical Characteristics

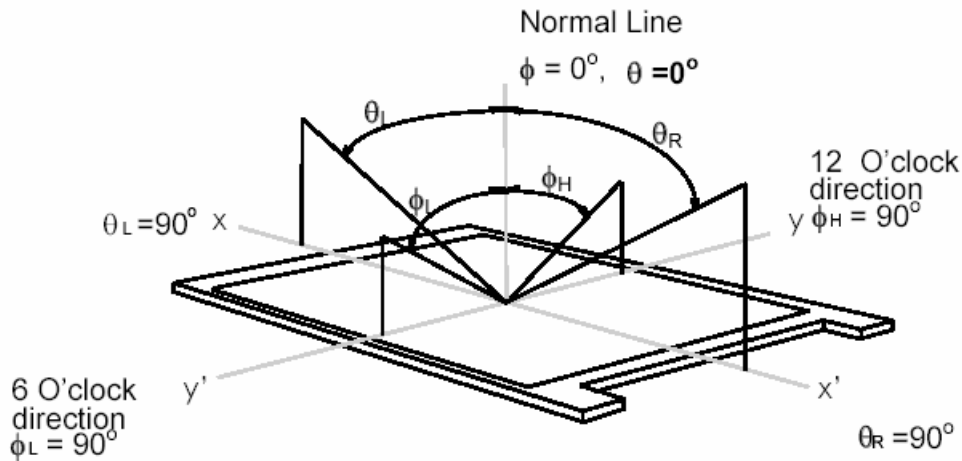
The optical characteristics are measured under stable conditions at 25°C (Room Temperature):

Item	Unit	Conditions	Min.	Typ.	Max.	Note
Viewing Angle	[degree]	Horizontal (Right)+ (Left) CR = 10	160	170	-	1
		Vertical (Up) + (Down) CR = 10	150	160	-	
Luminance Uniformity	[%]	9 Points	75	80	-	2, 3
Optical Response Time	[msec]	Rising	-	3.6	5.7	4, 6
		Falling	-	1.4	2.3	
		Rising + Falling	-	5	8	
Color / Chromaticity Coordinates (CIE 1931)		Red x	0.616	0.646	0.676	4
		Red y	0.309	0.339	0.369	
		Green x	0.260	0.290	0.320	
		Green y	0.573	0.603	0.633	
		Blue x	0.115	0.145	0.175	
		Blue y	0.035	0.065	0.095	
White Luminance (At CCFL= 7.0mA)	[cd/m <sup>2</sup> ]	White x	0.283	0.313	0.343	4
		White y	0.299	0.329	0.359	
Contrast Ratio		Normal Direction	800	1000	-	4
Cross Talk (At 75Hz)	[%]		-	-	1.5	5
Flicker	[dB]		-	-	-20	7

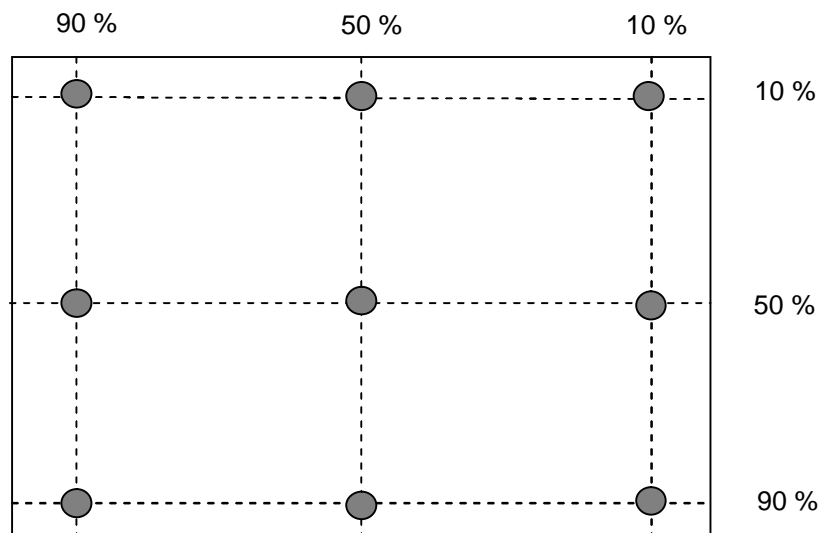
Optical Equipment: BM-5A, BM-7, PR880, or equivalent

**Note 1:** Definition of viewing angle: measured by **ELDIM (EZContrast 88)**

Viewing angle is the measurement of contrast ratio  $\geq 10$ , at the screen center, over a 180° horizontal and 180° vertical range (off-normal viewing angles). The 180° viewing angle range is broken down as follows; 90° ( $\theta$ ) horizontal left and right and 90° ( $\Phi$ ) vertical, high (up) and low (down). The measurement direction is typically perpendicular to the display surface with the screen rotated about its center to develop the desired measurement viewing angle.



**Note 2:** 9 points position

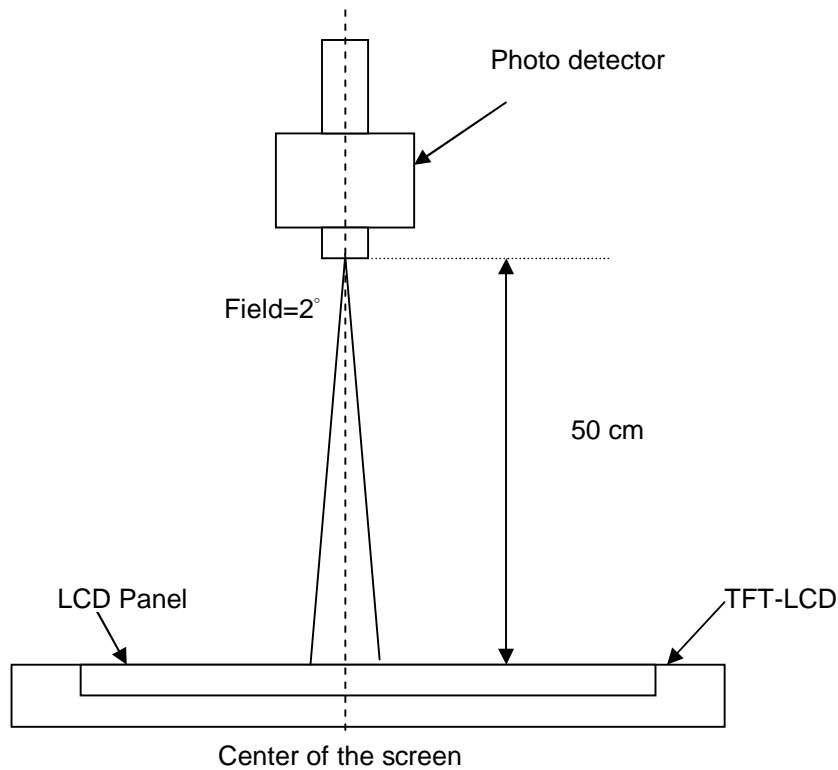


**Note 3:** The luminance uniformity of 9 points is defined by dividing the maximum luminance values by the minimum test point luminance

$$\delta_{w9} = \frac{\text{Minimum Luminance of 9 points}}{\text{Maximum Luminance of 9 points}}$$

**Note 4:** Measurement method

The LCD module should be stabilized at given temperature for 30 minutes to avoid abrupt temperature change during measuring. In order to stabilize the luminance, the measurement should be executed after lighting Backlight for 30 minutes in a stable, windless and dark room.



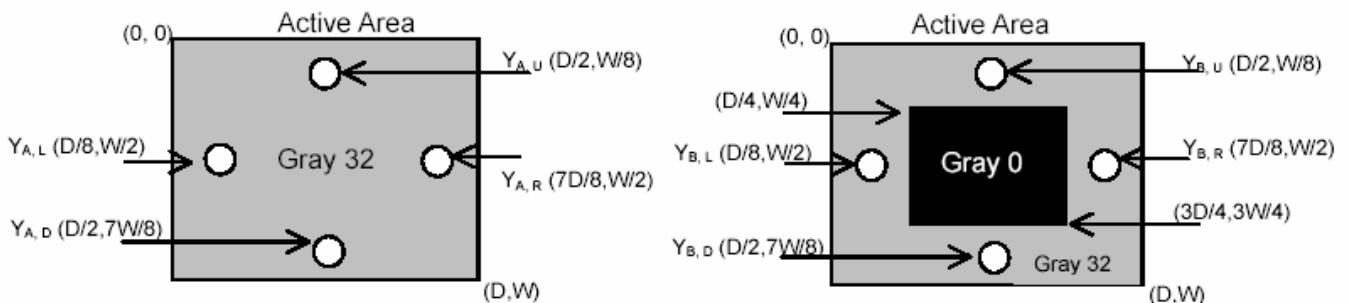
**Note 5:** Definition of Cross Talk (CT)

$$CT = | Y_B - Y_A | / Y_A \times 100 (\%)$$

Where

Y<sub>A</sub> = Luminance of measured location without gray level 0 pattern (cd/m<sup>2</sup>)

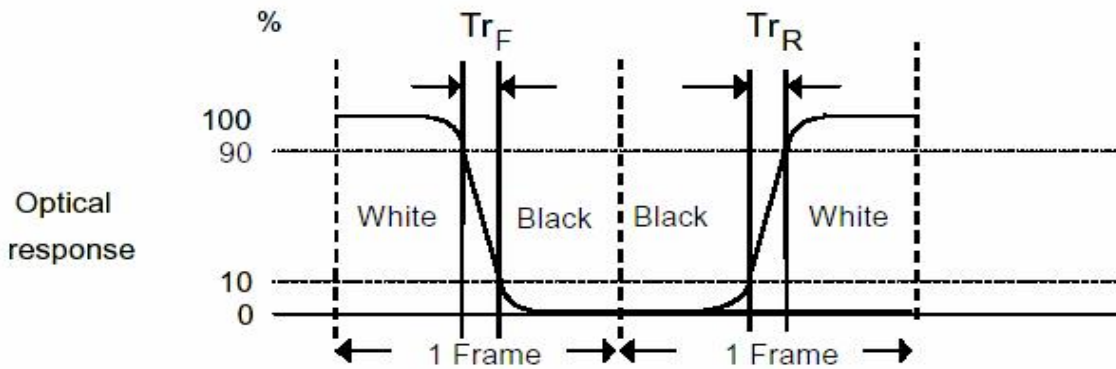
Y<sub>B</sub> = Luminance of measured location with gray level 0 pattern (cd/m<sup>2</sup>)



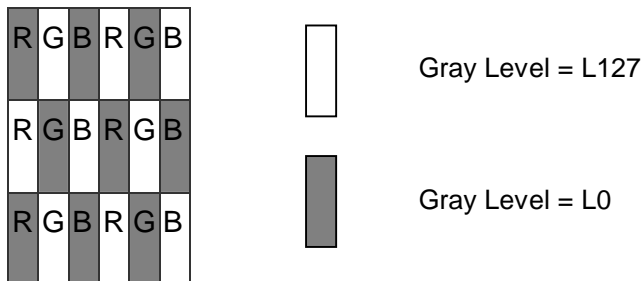


**Note 6:** Definition of response time:

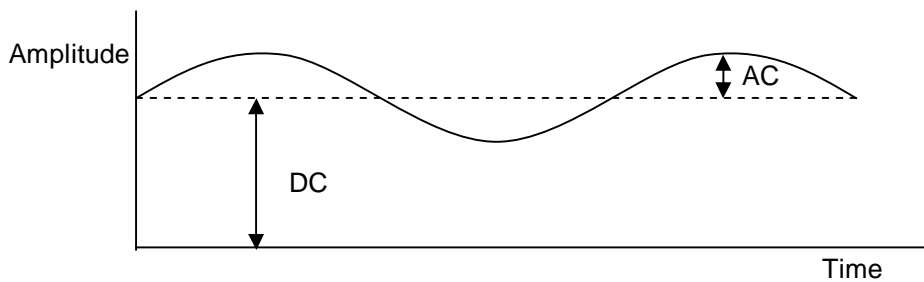
The output signals of photo detector are measured when the input signals are changed from “Full Black” to “Full White” (rising time), and from “Full White” to “Full Black” (falling time), respectively. The response time is interval between the 10% and 90% of amplitudes. Please refer to the figure as below.



**Note 7:** Subchecker Pattern



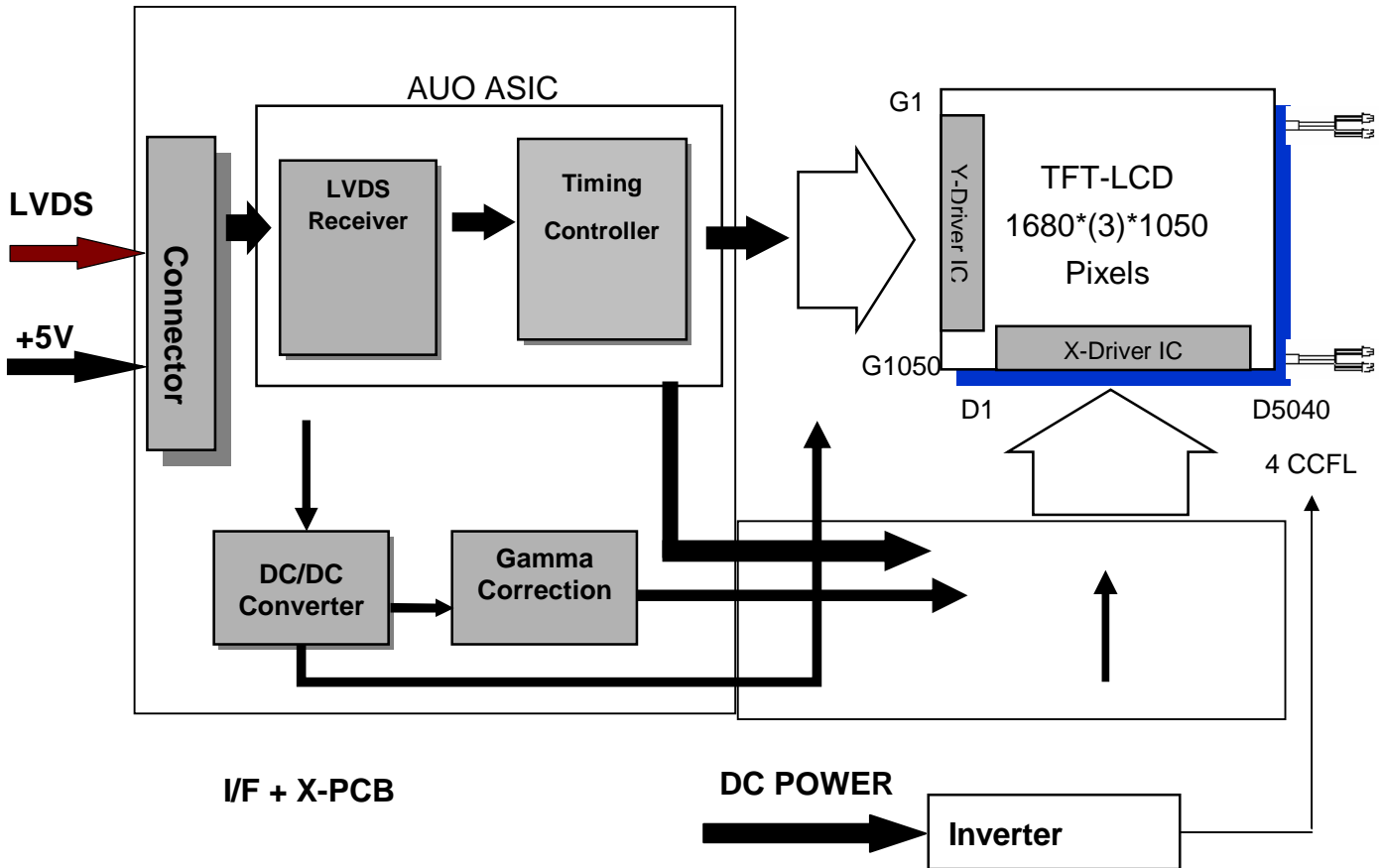
Method: Record dBV & DC value with (WESTAR)TRD-100



$$\text{Flicker (dB)} = 20 \log \frac{\text{AC Level(at 30 Hz)}}{\text{DC Level}}$$

### 3. Functional Block Diagram

The following diagram shows the functional block of the 22 inches wide Color TFT-LCD Module:



JAE FI-XB30SSRL-HF16  
Mating Type: FI-X30S-H

YEON HO 35001HS-02L  
Mating Type: 35001WR-02L or  
SM02B-BHSS-1-TB



#### 4. Absolute Maximum Ratings

Absolutely maximum rating of the module is as following:

##### 4.1 Absolute Ratings of TFT LCD Module

Item	Symbol	Min.	Max.	Unit	Conditions
Logic/LCD Drive Voltage	VDD	+4.5	+5.5	[Volt]	Note 1, 2

##### 4.2 Absolute Ratings of Backlight Unit

Item	Symbol	Min.	Max.	Unit	Conditions
CCFL Current	ICFL	-	8	[mA] rms	Note 1, 2

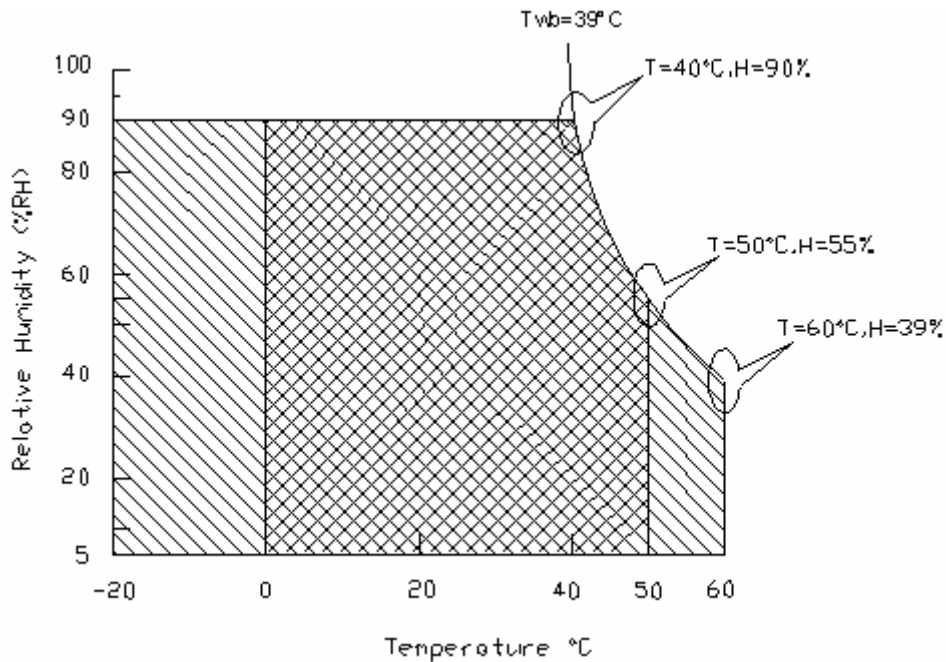
## 4.3 Absolute Ratings of Environment


Item	Symbol	Min.	Max.	Unit	Conditions
Operating Temperature	TOP	0	+50	[°C]	Note 3
Operation Humidity	HOP	5	90	[%RH]	
Storage Temperature	TST	-20	+60	[°C]	
Storage Humidity	HST	8	90	[%RH]	

Note 1: With in  $T_a = 25^\circ\text{C}$

Note 2: Permanent damage to the device may occur if exceed maximum values

Note 3: For quality performance, please refer to AUO IIS (Incoming Inspection Standard).



Operating Range  Storage Range  + 

## 5. Electrical characteristics

### 5.1 TFT LCD Module

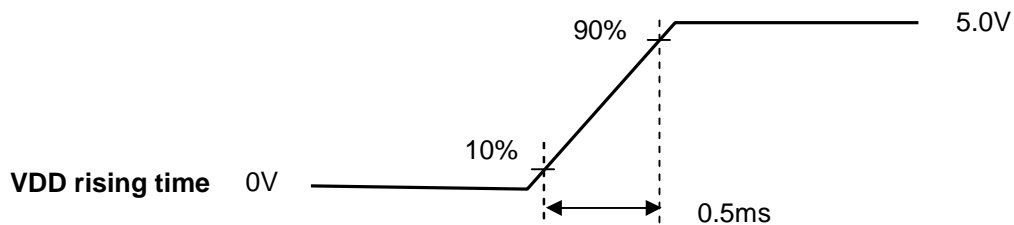
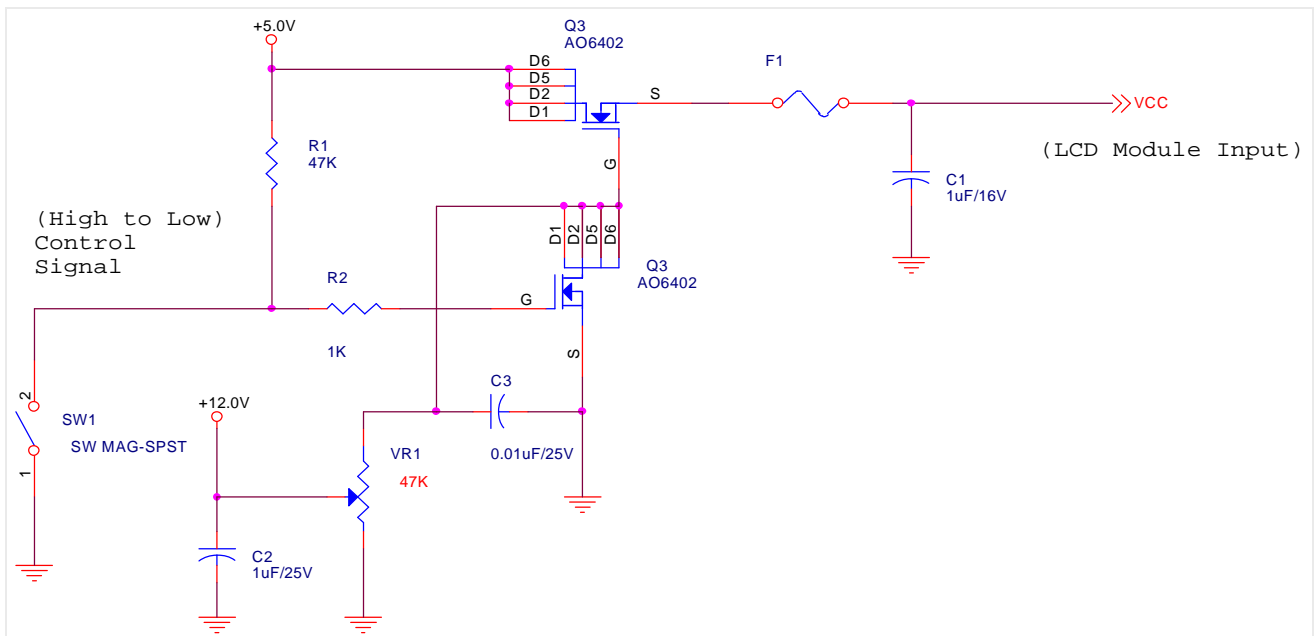
#### 5.1.1 Power Specification

Input power specifications are as follows:

Symble	Parameter	Min.	Typ.	Max.	Unit	Condition
VDD	Logic/LCD Drive Voltage	4.5	5.0	5.5	[Volt]	± 10%
IDD	Input Current	-	1000	1400	[mA]	VDD= 5.0V, All Black Pattern At 60Hz
PDD	VDD Power	-	5	7	[Watt]	VDD= 5.0V, All Black Pattern At 60Hz , Note 1
IRush	Inrush Current	-	-	TBD	[A]	Note 2

Note 1: The variance of VDD power consumption is ±10%.

Note 2: Measurement conditions:



## 5.1.2 Signal Electrical Characteristics

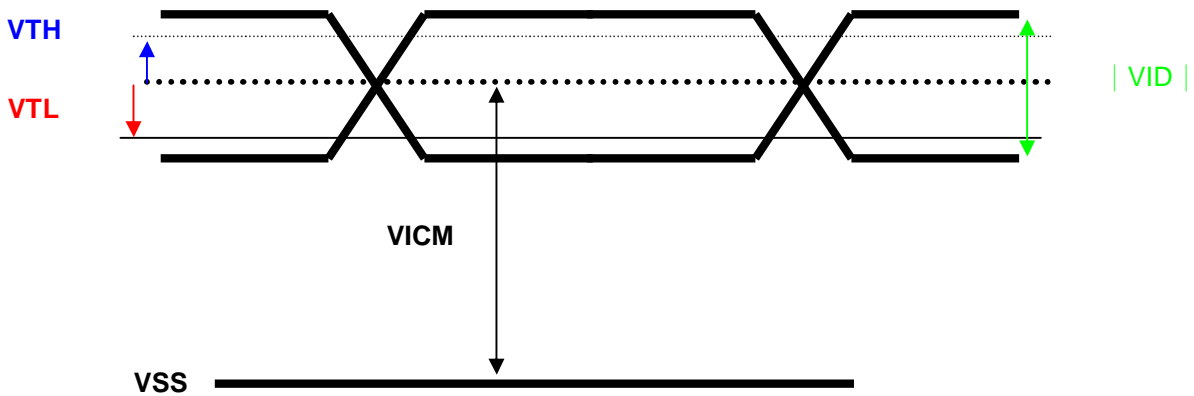
Input signals shall be low or Hi-Z state when Vin is off

It is recommended to refer the specifications of SN75LVDS82DGG (Texas Instruments) in detail.

Each signal characteristics are as follows;

Symbol	Parameter	Min	Typ	Max	Units	Condition
VTH	Differential Input High Threshold	-	-	100	[mV]	VICM = 1.2V <b>Note</b>
VTL	Differential Input Low Threshold	-100	-	-	[mV]	VICM = 1.2V <b>Note</b>
VID	Input Differential Voltage	100	400	600	[mV]	<b>Note</b>
VICM	Differential Input Common Mode Voltage	0.3	-	1.25	[V]	VDD=3.3V ± 0.05%

**Note:** LVDS Signal Waveform



## 5.2 Backlight Unit

Parameter guideline for CCFL Inverter is under stable conditions at 25°C (Room Temperature):

Parameter	Min.	Typ.	Max.	Unit	Condition
CCFL Standard Current (ISCFL)	6.5	7.0	7.5	[mA] rms	Note 2
CCFL Operation Current(IRCFL)	4.0	7.0	8.0	[mA] rms	Note 2
CCFL Frequency(FCFL)	40	50	60	[KHz]	Note 3,4
CCFL Ignition Voltage(ViCFL, Ta= 0°C) (End of the lamp wire connector)	TBD	-	-	[Volt] rms	Note 5
CCFL Ignition Voltage(ViCF, Ta= 25°C) (End of the lamp wire connector)	TBD	-	-	[Volt] rms	
CCFL Operation Voltage (VCFL)	-	832 (@ 7.0mA)		[Volt] rms	Note 6
CCFL Power Consumption(PCFL)	-	23.5	TBD	[Watt]	Note 6
CCFL Life Time(LTCFL)	40,000	50,000	-	[Hour]	Note 7

Note 1: Typ. are AUO recommended design points.

- \*1 All of characteristics listed are measured under the condition using the AUO test inverter.
- \*2 In case of using an inverter other than listed, it is recommended to check the inverter carefully. Sometimes, interfering noise stripes appear on the screen, and substandard luminance or flicker at low power may happen.
- \*3 In designing an inverter, it is suggested to check safety circuit very carefully. Impedance of CCFL, for instance, becomes more than 1 [M ohm] when CCFL is damaged.
- \*4 Generally, CCFL has some amount of delay time after applying kick-off voltage. It is recommended to keep on applying kick-off voltage for 1 [Sec] until discharge.
- \*5 Reducing CCFL current increases CCFL discharge voltage and generally increases CCFL discharge frequency. So all the parameters of an inverter should be carefully designed so as not to produce too much leakage current from high-voltage output of the inverter.

Note 2: It should be employed the inverter which has "Duty Dimming", if IRCFL is less than 4mA.

Note 3: CCFL discharge frequency should be carefully determined to avoid interference between inverter and TFT LCD.

Note 4: The frequency range will not affect to lamp life and reliability characteristics.

Note 5: CCFL inverter should be able to give out a power that has a generating capacity of over 1,500 voltage. Lamp units need 1,500 voltage minimum for ignition.



Note 6: The variance of CCFL power consumption is  $\pm 10\%$ . Calculator value for reference (ISCFL  $\times$  VCFL  $\times$  4 = PCFL)

Note 7: Definition of life: brightness becomes 50% or less than the minimum luminance value of CCFL..The typical life time of CCFL is on the condition at 7.0 mA lamp current.

## 6. Signal Characteristic

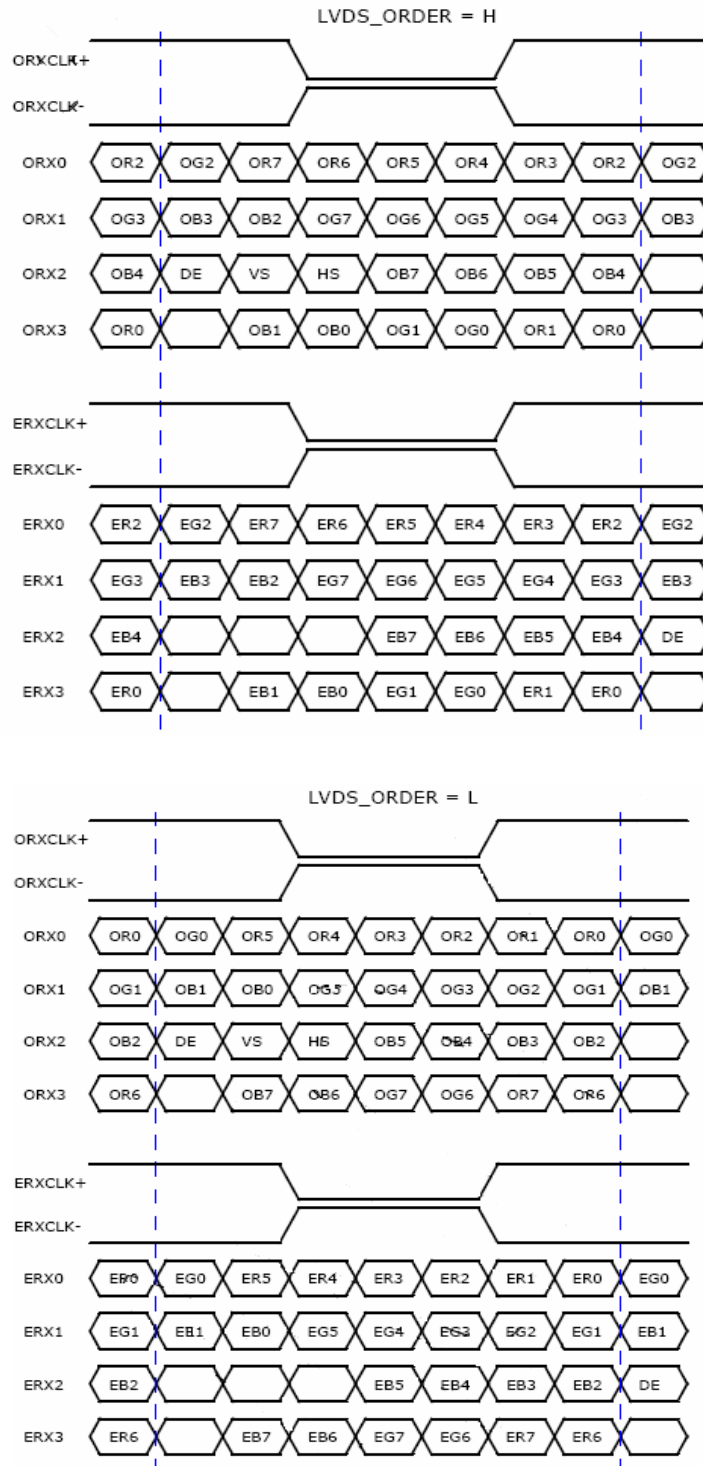
### 6.1 Pixel Format Image

Following figure shows the relationship of the input signals and LCD pixel format.

	1		2												1679		1680					
1st Line	R	G	B	R	G	B	.....										R	G	B	R	G	B
	.	.	.	.	.	.	.										.	.	.	.	.	.
	.	.	.	.	.	.	.										.	.	.	.	.	.
	.	.	.	.	.	.	.										.	.	.	.	.	.
	.	.	.	.	.	.	.										.	.	.	.	.	.
	.	.	.	.	.	.	.										.	.	.	.	.	.
	.	.	.	.	.	.	.										.	.	.	.	.	.
	.	.	.	.	.	.	.										.	.	.	.	.	.
1050 Line	R	G	B	R	G	B	.....										R	G	B	R	G	B



## 6.2 The Input Data Format



**Note1:** Normally, DE, VS, HS on EVEN channel are not used.

**Note2:** 8-bits signal input.

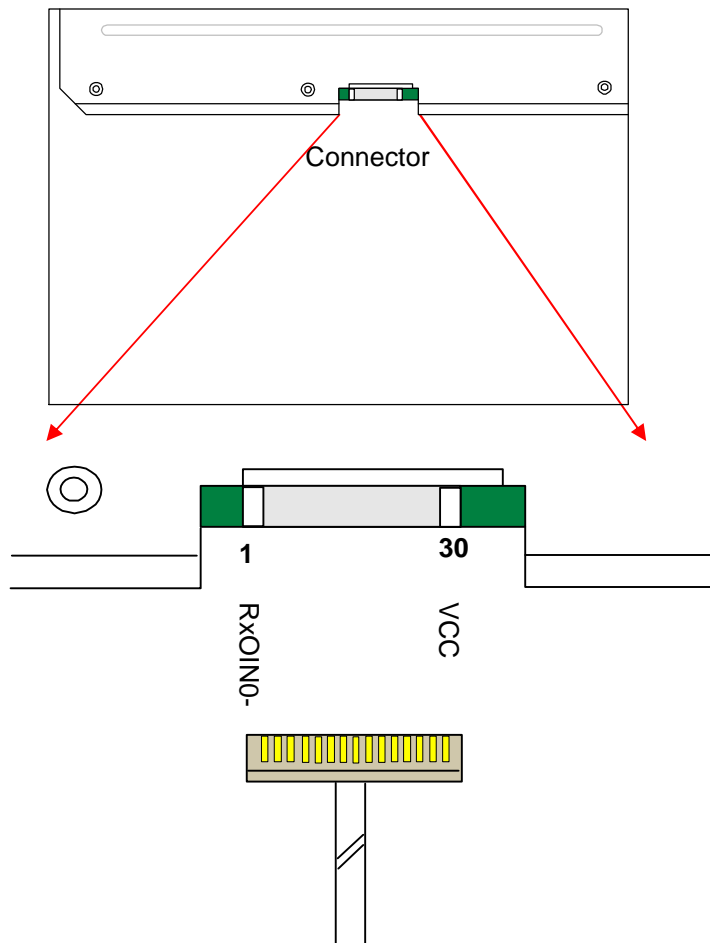
**Note3:** L:NS alike H:Thine alike

## 6.3 Signal Description

The module using a pair of LVDS receiver SN75LVDS82(Texas Instruments) or compatible. LVDS is a differential signal technology for LCD interface and high speed data transfer device. Transmitter shall be SN75LVDS83(negative edge sampling) or compatible. The first LVDS port(RxOxxx) transmits odd pixels while the second LVDS port(RxExxx) transmits even pixels.

PIN #	SIGNAL NAME	DESCRIPTION
1	RxOIN0-	Negative LVDS differential data input (Odd data)
2	RxOIN0+	Positive LVDS differential data input (Odd data)
3	RxOIN1-	Negative LVDS differential data input (Odd data)
4	RxOIN1+	Positive LVDS differential data input (Odd data)
5	RxOIN2-	Negative LVDS differential data input (Odd data, H-Sync, V-Sync, DSPTMG)
6	RxOIN2+	Positive LVDS differential data input (Odd data, H-Sync, V-Sync, DSPTMG)
7	GND	Power Ground
8	RxOCLKIN-	Negative LVDS differential clock input (Odd clock)
9	RxOCLKIN+	Positive LVDS differential clock input (Odd clock)
10	RxOIN3-	Negative LVDS differential data input (Odd data)
11	RxOIN3+	Positive LVDS differential data input (Odd data)
12	RxEIN0-	Negative LVDS differential data input (Even data)
13	RxEIN0+	Positive LVDS differential data input (Even data)
14	GND	Power Ground
15	RxEIN1-	Positive LVDS differential data input (Even data)
16	RxEIN1+	Negative LVDS differential data input (Even data)
17	GND	Power Ground
18	RxEIN2-	Negative LVDS differential data input (Even data)
19	RxEIN2+	Positive LVDS differential data input (Even data)
20	RxECLKIN-	Negative LVDS differential clock input (Even clock)
21	RxECLKIN+	Positive LVDS differential clock input (Even clock)
22	RxEIN3-	Negative LVDS differential data input (Even data)
23	RxEIN3+	Positive LVDS differential data input (Even data)
24	GND	Power Ground
25	NC	No contact (For AUO test only)
26	NC	No contact (For AUO test only)
27	LVDS Format	L:NS alike H:Thine alike
28	VCC	+5.0V Power Supply
29	VCC	+5.0V Power Supply
30	VCC	+5.0V Power Supply

Note1: Start from left side



Note2: Input signals of odd and even clock shall be the same timing.

Note3: Please follow PSWG.



## 6.4 Interface Timing

### 6.4.1 Timing Characteristics

Signal	Item	Symbol	Min	Typ	Max	Unit
Vertical Section	Period	$T_v$	1058	1066	2048	Th
	Active	$T_{disp(v)}$	1050	1050	1050	Th
	Blanking	$T_{bp(v)}+T_{fp(v)}+PW_{vs}$	8	16	998	Th
Horizontal Section	Period	$T_h$	880	1128	2048	Tclk
	Active	$T_{disp(h)}$	840	840	840	Tclk
	Blanking	$T_{bp(h)}+T_{fp(h)}+PW_{hs}$	40	288	1208	Tclk
Clock	Period	Tclk	11.76	13.86	-	ns
	Frequency	Freq.	-	72.1	85	MHz
Frame Rate	Frequency	$1/T_v$	-	60	75	Hz

Note : DE mode only

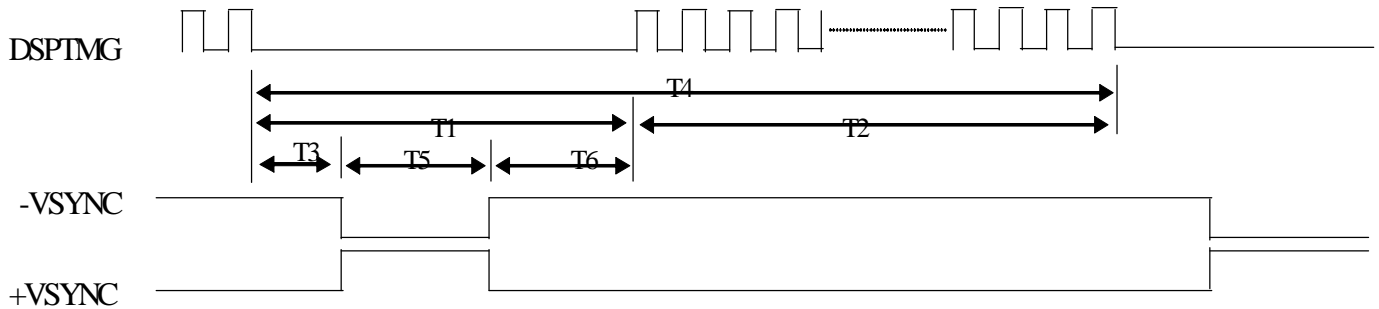
## 6.4.2 Timing Diagram

### Driving Timing

(LVDS Receiver Output)

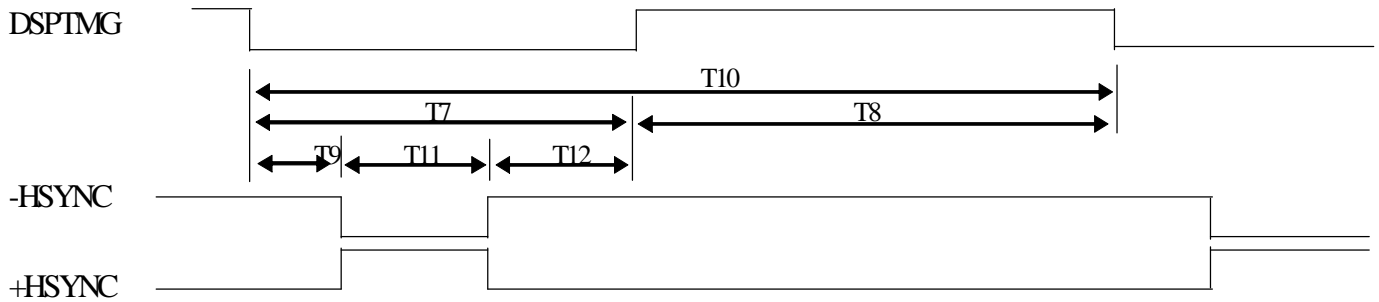
frame rate	
59.96	HZ

#### Vertical Timing



Item	T1 Vertical		T2		T3 VSYNC		T4		T5 VSYNC	T6 VSYNC
	Banking		Active Field		Front Porch		Frame Time		Width	Back Porch
Value	0.25	ms	16.43	ms	DE ONLY	ms	16.68	ms	DE ONLY	DE ONLY
	16	lines	1050	lines		lines	1066	lines		

#### Horizontal Timing



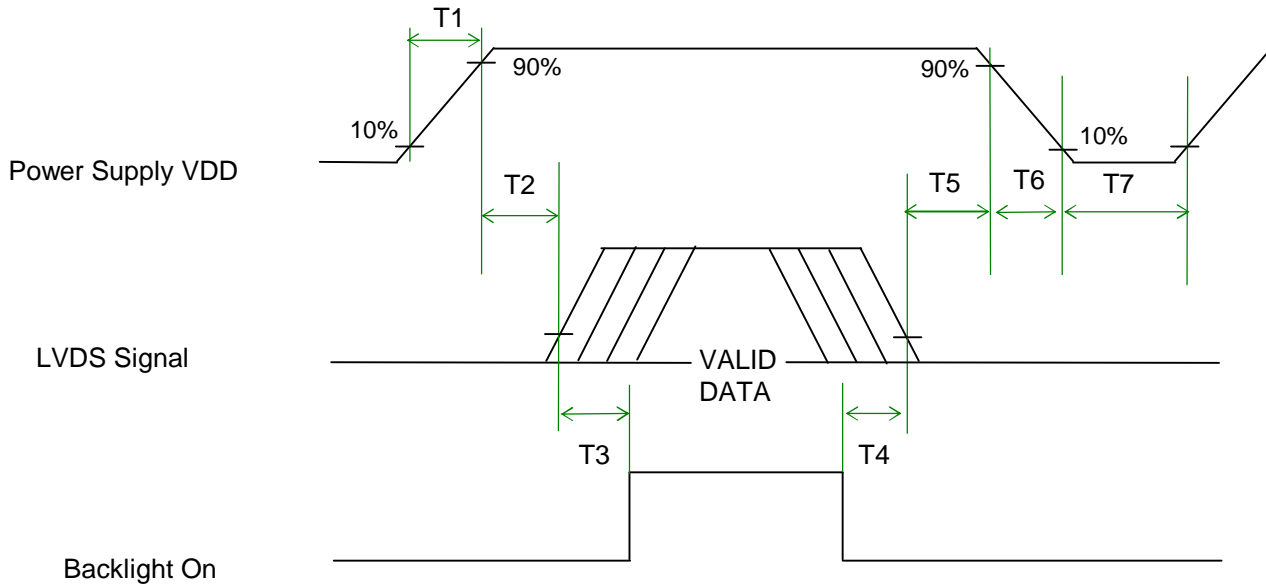
Item	T7 Horizontal		T8		T9 HSYNC	T10		T11 HSYNC	T12 HSYNC
	Blanking		Active Field		Front Porch	H line Time		Width	Back Porch
Value	3.99	$\mu$ s	11.65	$\mu$ s	DE ONLY	15.64	$\mu$ s	DE ONLY	DE ONLY
	288	dots	840	dots		1128	dots		

#### Dot Timing

Item	Clock Frequency		Data Clock Frequency		Clock period	
Value	144.2	Mhz	72.1	Mhz	13.87	ns

## 6.5 Power ON/OFF Sequence

VDD power and lamp on/off sequence is as follows. Interface signals are also shown in the chart. Signals from any system shall be Hi-Z state or low level when VDD is off.



**Power Sequence Timing**

Parameter	Value			Unit
	Min.	Typ.	Max.	
T1	0.5	-	10	[ms]
T2	0	40	50	[ms]
T3	200	-	-	[ms]
T4	200	-	-	[ms]
T5	0.5	16	50	[ms]
T6	-	-	10	[ms]
T7	1000	-	-	[ms]

## 7. Connector & Pin Assignment

Physical interface is described as for the connector on module. These connectors are capable of accommodating the following signals and will be following components.

### 7.1 TFT LCD Module

#### 7.1.1 Connector

Connector Name / Designation	Interface Connector / Interface card
Manufacturer	LVDS: HIROSE/ JAE compatible
Type Part Number	LVDS :MDF76URW-30S-1H/ FI-XB30SSRL-HF16
Mating Housing Part Number	FI-X30S-H ( Unlocked Type ) or equivalent

#### 7.1.2 Pin Assignment

Pin#	Signal Name	Pin#	Signal Name
1	RxOIN0-	2	RxOIN0+
3	RxOIN1-	4	RxOIN1+
5	RxOIN2-	6	RxOIN2+
7	GND	8	RxOCLKIN-
9	RxOCLKIN+	10	RxOIN3-
11	RxOIN3+	12	RxEIN0-
13	RxEIN0+	14	GND
15	RxEIN1-	16	RxEIN1+
17	GND	18	RxEIN2-
19	RxEIN2+	20	RxECLKIN-
21	RxECLKIN+	22	RxEIN3-
23	RxEIN3+	24	GND
25	NC	26	NC
27	LVDS Format	28	VCC
29	VCC	30	VCC

## 7.2 Backlight Unit

Physical interface is described as for the connector on module. These connectors are capable of accommodating the following signals and will be following components.

Connector Name / Designation	Lamp Connector / Backlight lamp
Manufacturer	YEONHO
Type Part Number	35001HS-02L
Mating Type Part Number	35001WR-02L or SM02B-BHSS-1-TB

### 7.2.1 Signal for Lamp connector

	Connector No.	Pin No.	Input	Color	Function
Upper	CN1	1	Hot1	Sky Blue	High Voltage (Lamp 1)
		2	Cold1	Black	Low Voltage (Lamp 1)
	CN2	1	Hot2	Pink	High Voltage (Lamp 2)
		2	Cold2	White	Low Voltage (Lamp 2)

	Connector No.	Pin No.	Input	Color	Function
Lower	CN3	1	Hot1	Sky Blue	High Voltage (Lamp 3)
		2	Cold1	Black	Low Voltage (Lamp 3)
	CN4	1	Hot2	Pink	High Voltage (Lamp 4)
		2	Cold2	White	Low Voltage (Lamp 4)



## 8. Reliability Test

Environment test conditions are listed as following table.

Items	Required Condition	Note
Temperature Humidity Bias (THB)	Ta= 50°C , 80%RH, 300hours	
High Temperature Operation (HTO)	Ta= 50°C , 50%RH, 300hours	
Low Temperature Operation (LTO)	Ta= 0°C , 300hours	
High Temperature Storage (HTS)	Ta= 60°C , 300hours	
Low Temperature Storage (LTS)	Ta= -20°C , 300hours	
Vibration Test (Non-operation)	Acceleration: 1.5 G Wave: Random Frequency: 10 - 200 - 10 Hz Sweep: 30 Minutes each Axis (X, Y, Z)	
Shock Test (Non-operation)	Acceleration: 50 G Wave: Half-sine Active Time: 20 ms Direction: ±X, ±Y, ±Z (one time for each Axis)	
Drop Test	Height: 60 cm, package test	
Thermal Shock Test (TST)	-20°C/30min, 60°C/30min, 100 cycles	1
On/Off Test	On/10sec, Off/10sec, 30,000 cycles	
ESD (ElectroStatic Discharge)	Contact Discharge: ± 8KV, 150pF(330Ω ) 1sec, 8 points, 25 times/ point.	2
	Air Discharge: ± 15KV, 150pF(330Ω ) 1sec 8 points, 25 times/ point.	
Altitude Test	Operation:10,000 ft Non-Operation:30,000 ft	

Note 1: The TFT-LCD module will not sustain damage after being subjected to 100 cycles of rapid temperature change. A cycle of rapid temperature change consists of varying the temperature from -20°C to 60°C, and back again. Power is not applied during the test. After temperature cycling, the unit is placed in normal room ambient for at least 4 hours before power on.

Note 2: According to EN61000-4-2 , ESD class B: Some performance degradation allowed. No data lost. Self-recoverable. No hardware failures.

## 9. Shipping Label

The shipping label format is shown as below.



## 10. Mechanical Characteristics

