

These drawings and specifications are the property of Densitron Corporation and may not be reproduced, copied or used without written permission

REVISIONS			
REV	DESCRIPTION	DATE	APPROVED
A	E0221		

1. **Specification subject to change without notice.**
2. **All dimensions and specifications apply to standard modules. This information may vary for modules with optional features.**
3. **All dimensions are in millimeters.**
4. **Precautions: These precautions apply equally to modules from all makers, not just Densitron. Violation of these guidelines may void the warranty and can cause problems ranging from erratic operation to catastrophic display failure.**

Handling precautions:

- ◆ This device is susceptible to Electro-Static Discharge (ESD) damage. Observe Anti-Static precautions.

Power supply precautions:

- ◆ Identify and, at all times, observe absolute maximum ratings for both logic and LC drivers. Note that there is some variance between models.
- ◆ Prevent the application of reverse polarity to V_{DD} and V_{SS}, however briefly.
- ◆ Use a clean power source free from transients. Power up conditions are occasionally "jolting" and may exceed the maximum ratings of the module.
- ◆ The +5V power of the module should also supply the power to all devices which may access the display. Don't allow the data bus to be driven when the logic supply to the module is turned off.
- ◆ DO NOT install a capacitor between the V_O (contrast) pin and ground. V_{DD} must, at all times, exceed the V_O voltage level. The capacitor combines with the contrast potentiometer to form an R-C network which "holds-up" V_O, at power-down, possibly damaging the module.

Operating precautions:

- ◆ DO NOT plug or unplug the module when the system is powered up.
- ◆ Minimize the cable length between the module and host MPU. (Recommended max. length 30 cm).
- ◆ For models with EL or CCFL backlights, do not disable the backlight by interrupting the HV line. Unloaded inverters produce voltage extremes which may arc within a cable or at the display.
- ◆ Operate the module within the limits of the modules temperature specifications.

Mechanical / Environmental precautions:

- ◆ Improper soldering is the major cause of module difficulty. Use of flux cleaner is not recommended as they may seep under the elastomeric connection and cause display failure. Densitron recommends the use of Kester "245" no-clean solder.
- ◆ Mount the module so that it is free from torque and mechanical stress.
- ◆ Surface of LCD panel should not be touched or scratched. The display front surface is an easily scratched, plastic polarizer. Avoid contact and clean only when necessary with soft, absorbent cotton dampened with petroleum benzene.
- ◆ ALWAYS employ anti-static procedure while handling the module.
- ◆ Prevent moisture build-up upon the module and observe the environmental constraints for storage temperature and humidity.
- ◆ DO NOT store in direct sunlight.
- ◆ If leakage of the liquid crystal material should occur, avoid contact with this material, particularly ingestion. If the body or clothing becomes contaminated by the liquid crystal material, wash thoroughly with water and soap.

Notes: (unless otherwise specified)

Unless otherwise specified: Dimensions are mm Tolerances are: X = ± 3 .X = ± 0.5 .XX = ± 0.05	APPROVALS	DATE	DENSITRON CORPORATION TORRANCE, CA	
	DRAWN			
	CHECKED		TITLE	128 X 240 GRAPHICS LCD MODULE
	ISSUED		DWG. NO.	LM3229

1.0 DESCRIPTION

Dot matrix display module consisting of liquid Crystal Display, CMOS driver and Toshiba T6963C controller LSI, printed circuit board and metal support frame.

Available LC fluid types are: NTN (supertwisted nematic) and NTN-H (extended temperature range NTN).

2.0 MECHANICAL CHARACTERISTICS

Item	Specifications	Unit
Package Dimensions	144.0 (W) x 104.0 (H) x 17.8 max. (D)	mm
Display format	240 dots (W) x 128 dots (H)	-
Driving method	1/128	duty
Dot size	0.40 (W) x 0.40 (H)	mm
Dot pitch	0.45 (W) x 0.45 (H)	mm
Active display area	107.95 (W) x 57.55 (H)	mm
Viewing area	114.0 (W) x 64.0 (H)	mm
Weight		g

Notes:W-Width;H-Height;D-Depth.

3.0 ABSOLUTE MAXIMUM RATINGS

V_{SS}=0V;T_a=25°C

Item	Symbol	NTN		NTN-H		Unit
		Min.	Max.	Min.	Max.	
Logic supply voltage	V _{DD} -V _{SS}	0	7	0	7	V
LC driver supply voltage	V _{DD} -V _{EE}	0	-25	0	-25	V
Operating temperature	TOP	0	+50	-20	+70 (Note 3)	°C
Storage temperature (Note 1)	T _{ST}	-20	+70	-30	+80	
Humidity: Operating (@40°C)	-	-	85%	-	85%	RH (Note 2)
Non-operating (@40°C)	-	-	95%	-	95%	RH (Note 2)

- Notes: 1: Tested to 100 hrs.
 2: Refers to non-condensing conditions.
 3: It is not recommended to operate EL lamp above +50°C.

4.0 ELECTRICAL CHARACTERISTICS

V_{DD}=5±0.25V;T_a=25°C

Item	Symbol	Test Condition	Min.	Typ.	Max.	Unit
Input "High" voltage	V _{IH}	-	0.8	-	V _{DD}	V
Input "Low" voltage	V _{IL}	-	V _{SS}	-	0.2V _{DD}	V
Output "High" voltage	V _{OH}	I _{OH} =0.205mA	2.2	-	-	V
Output "Low" voltage	V _{OL}	I _{OL} =1.2mA	-	-	0.8	V
Power supply current	I _{EE}	V _{EE} =-20V	-	7.0	-	mA
Power supply current	I _{DD}	V _{DD} =5.0V	-	30.0	-	mA

DWG. NO.

LM3229

SHEET 2 OF 8

REV. A

5.0 RECOMMENDED LC DRIVE VOLTAGE (V_{DD}-V_O)

V_{DD}=5.0±0.25V

Temperature	NTN	NTN-H
T _a = -20°C	-	24.3
T _a = 0°C	21.0	21.0
T _a = 25°C	18.5	18.5
T _a = 50°C	16.8	16.8
T _a =70°C	-	15.7

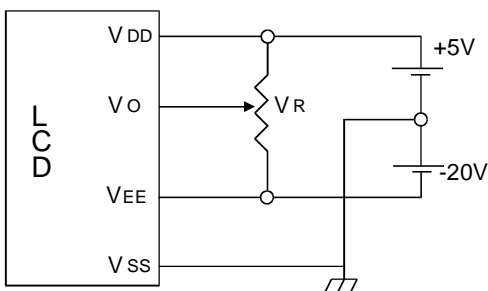
6.0 BACKLIGHT SPECIFICATIONS:

T_a=20°C,60%RH,Darkroom.

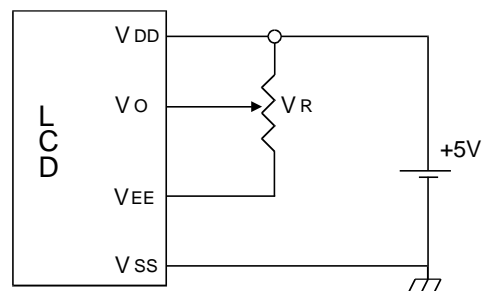
Item	Symbol	Typ.	Max.	Unit
EL lamp input voltage	V _{EL}	100	150	V _{rms}
EL lamp input current	I _{EL}	21.0	30.0	mA
Life to half initial brightness	-	2500	3000	Hours
EL lamp input frequency	F _{EL}	400	800	Hz
Recommended backlight inverter	-	DAS5V14	-	-

7.0 POWER SUPPLY

NTN, NTN-H

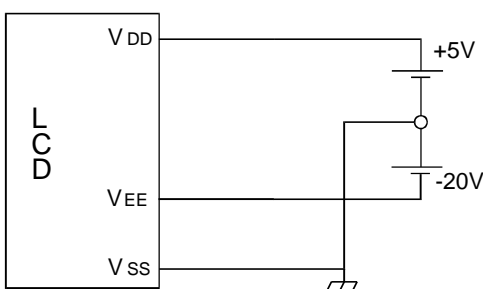


NTN, NTN-H with on-board negative voltage generator

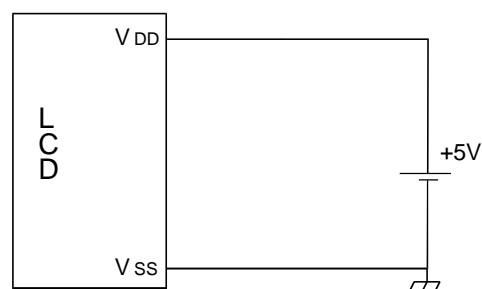


V_R = 10K - 20K ohm

NTN, NTN-H with temperature compensation



NTN, NTN-H with on-board negative voltage generator and temperature compensation



DWG. NO.

LM3229

SHEET 3 OF 8

REV. A

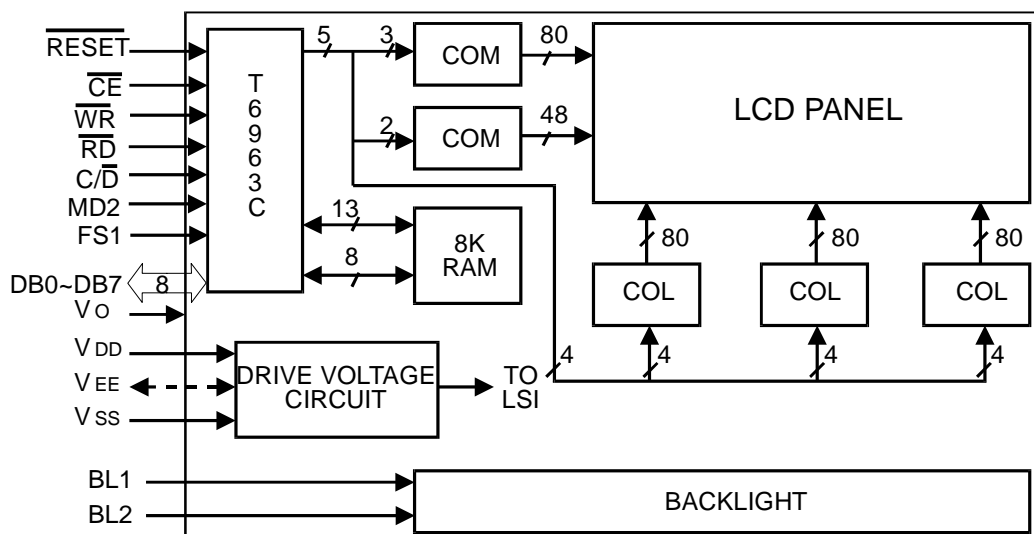
8.0 INTERFACE DESCRIPTION

Pin No.	Symbol	I/O	Function
1	V _{SS}	-	Ground (0V)
2	V _{DD}	-	Logic Supply Voltage (+5V)
3	V _O	-	LC drive voltage for contrast adjustment
4	C/D	I	WR="L"...C/D="H" : Command write C/D="L": Data write RD="L"...C/D="H" : Status read C/D="L": Data read
5	RD	I	Data read Active Low
6	WR	I	Data write Active Low
7	DB0	I/O	Bi-directional data bus line 0
8	DB1	I/O	Bi-directional data bus line 1
9	DB2	I/O	Bi-directional data bus line 2
10	DB3	I/O	Bi-directional data bus line 3
11	DB4	I/O	Bi-directional data bus line 4
12	DB5	I/O	Bi-directional data bus line 5
13	DB6	I/O	Bi-directional data bus line 6
14	DB7	I/O	Bi-directional data bus line 7
15	CE	I	Chip enable Active Low
16	RESET	I	Chip reset Active Low
17	V _{EE}	I(O)	Negative voltage input for LC drive (Negative voltage output for models with on-board negative voltage generator)
18	MD2	I	Mode Selection (see below)
19	FS1	I	Terminals for selection of font size
20	HALT	-	Halt Function (H = Normal, L = Stop Oscillation)
BL1	V _{EL}	-	EL backlight input voltage (from output of DC-AC inverter)
BL2	V _{EL}	-	EL backlight input voltage (from output of DC-AC inverter)

8.2 Font Selection

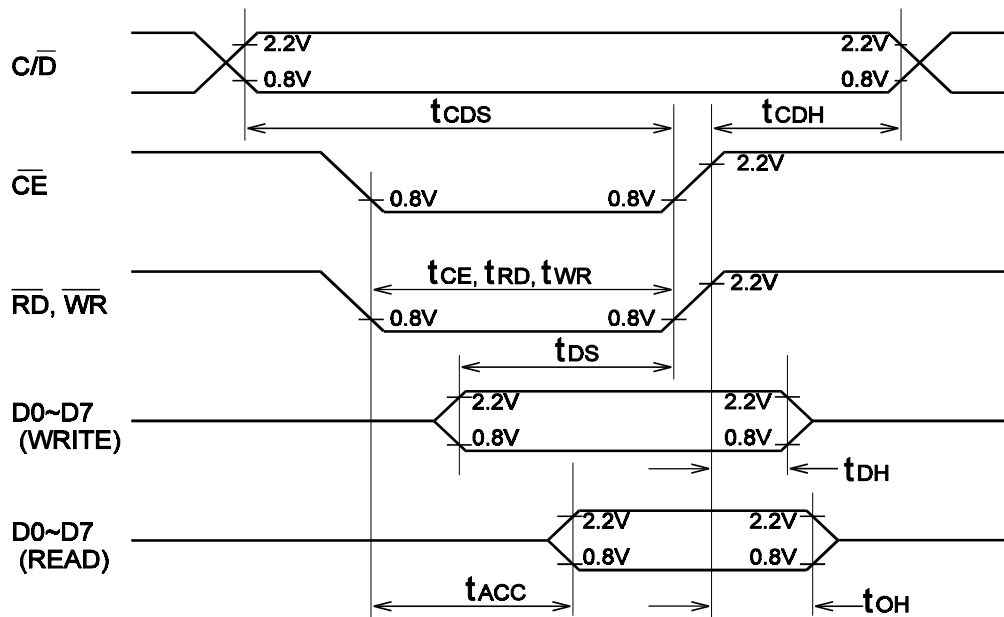
Font Selection	MD2	FS1
6X8	L	H
8X8	H	L

9.0 BLOCK DIAGRAM:



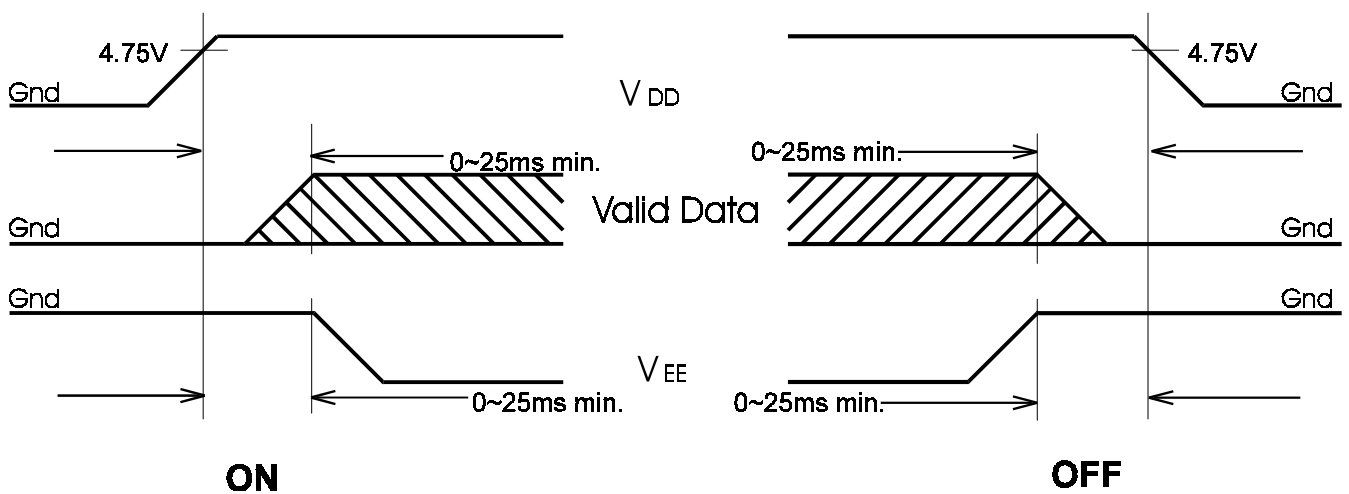
10.0 TIMING CHARACTERISTICS

Item	Symbol	Min.	Typ.	Max.	Unit
C/D Set up time	t _{CDS}	100	-	-	nS
C/D Hold time	t _{CDH}	10	-	-	nS
CE, RD, WR pulse width	t _{CE} , t _{RD} , t _{WR}	80	-	-	nS
Data set up time	t _{DS}	80	-	-	nS
Data hold time	t _{DH}	40	-	-	nS
Access time	t _{ACC}	-	-	150	nS
Output hold time	t _{OH}	10	-	50	nS



11.0 VOLTAGE SEQUENCING

To prevent applying a DC voltage to the LC panel and inducing an electro-chemical effect, please observe the following power supply ON/OFF sequence to prevent DC driving of LC panel or latching-up of CMOS LSI circuits:

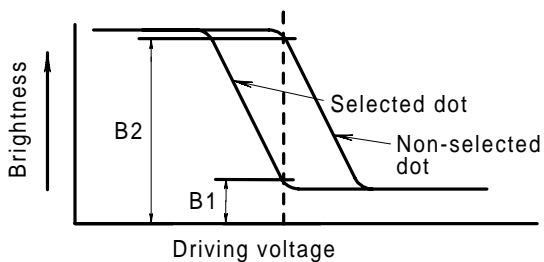


12.0 OPTICAL CHARACTERISTICS

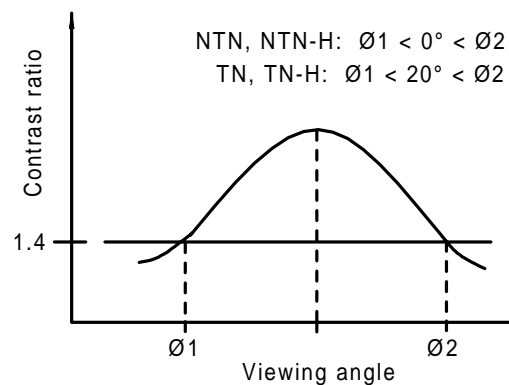
Item	Symbol	Test Condition	Min.	Typ.	Max.	Unit
Contrast ratio	K	$\varnothing=20^\circ \theta=0^\circ$	4	-	-	-
Viewing angle	$\varnothing 2-\varnothing 1$ θ	$\theta=0^\circ K \geq 1.4$ $\varnothing=20^\circ K=1.4$	40 ± 30	- -	- -	Deg. Deg.
Response time	Rise	$\varnothing=20^\circ \theta=0^\circ$	-	150	250	mS
	Fall	$\varnothing=20^\circ \theta=0^\circ$	-	150	250	mS

DEFINITION OF CONTRAST RATIO (K)

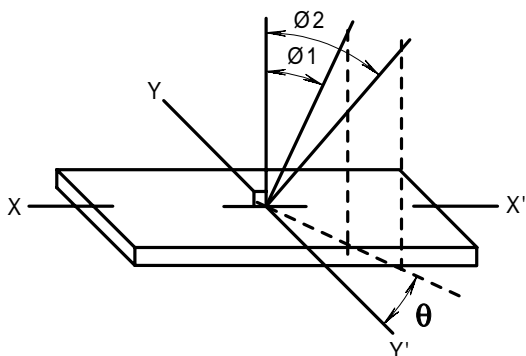
$$K = \frac{\text{Brightness of non-selected dots}}{\text{Brightness of selected dots}}$$



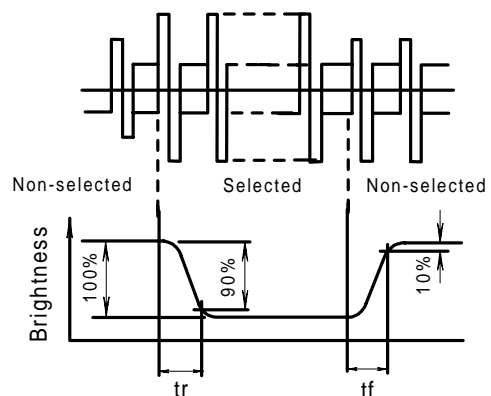
CONTRAST VERSUS VIEWING ANGLE



DEFINITION OF ANGLES \varnothing AND θ



DEFINITION OF OPTICAL RESPONSE



13.0 MODULE DIMENSIONS

DWG. NO.

LM3229

SHEET 7 OF 8

REV. A

14.0 PART NUMBER DESCRIPTION FOR AVAILABLE OPTIONS

LM3229①②128G240③④⑤

①

POLARIZER TYPE

A = Reflective: light background, no backlight

B = Transflective: light background with white EL backlight

②

NOT APPLICABLE - LEAVE BLANK

③

FLUID TYPE AND POWER SUPPLY

D = NTN with +5VDC and external negative voltage operation

S = NTN with +5VDC operation (on-board negative voltage generation)

H = NTN-H with +5VDC and external negative voltage operation

W = NTN-H with +5VDC operation (on-board negative voltage generation)

④

FLUID TYPE AND TEMPERATURE COMPENSATION CIRCUIT

C = NTN, NTN-H with on-board temperature compensation circuitry

N = NTN, NTN-H

⑤

COLOR FOR NTN FLUID

G = Gray background

Y = Yellow background

DWG. NO.

LM3229

SHEET 8 OF 8

REV.
A