

FEATURES

- **Multi-Input :**
 - 1- **CVBS Input:**
Auto-selecting for NTSC/PAL/SECAM standard
 - 2- **MultiVGA Input:**
VGA/SVGA/XGA 60Hz to 75Hz
Auto Detect Input Mode,
Auto Adjust H/V Scaling/Position/Phase
 - 3- **Component Input:**
Auto-selecting for 570p/480p/570i/480i
Dedicated Designe for PSP

- **Active Display Resolution:**
VGA (640 × 480 × RGB pixels)

- **Dedicated Design for:**
KOPIN BDM-922K-NE Module

- **3D Stereo Support:**
Field-Sequential: for PC and CVBS
SideBySide: for CVBS only

- **Special Scaler for PSP Game Mode:**
1-Normal; 2-WideScreen; 3-FullScreen

- **Color OSD Show:**
Menu,Mode,Input Information, etc.

- **Image Parameter Adjustable:**
Contrast/Brightness/Saturation,
Right/Left Image Swap,
All parameter Memorized.

- **Compact Outline:**
42mm × 21mm
Suit with BDM-922K-NE Module

- **Low Power Consumption:**
Single +5.0V/ 210mA(max),
Adapt to USB

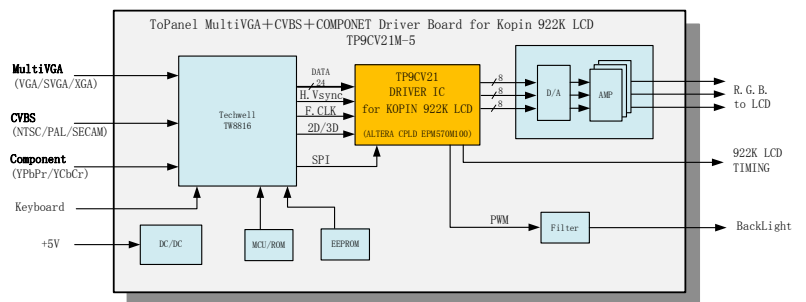
BLOCK DIAGRAM



Micro-LCD Drive Board TP9CV21M-5 Based on Advanced programable CPLD, and MultiInput TW8816,Compatible with VGA/SVGA/XGA up to 75Hz, CVBS and Component, provided with flexible Scaler, 3D Stereo PC Game/Video, Color OSD menu.

MultiVGA+CVBS+Component make it suit to all the applications of PC, DVD/MP4 player and PSP Game.

TP9CV21M-5 significantly accelerates product development for OEM customers using The KOPIN BDM-922K-NE Module that contains 2 sets 922K color LCD display, backlight, and lens, application for their Video Eyewear and other products.



ToPanel Technology Company

2-401,Bld.4,TianMian,FuTian,

Shen Zhen,China

Tel: +86-755-83983840

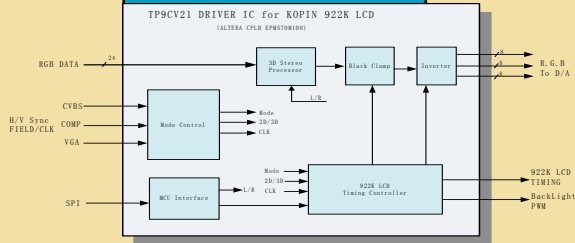
Fax: +86-755-83996761

support@topanel.com.cn

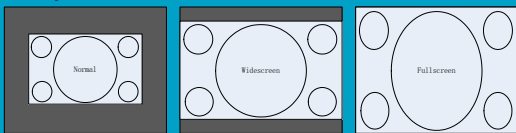
KEY TECHNOLOGY

TP9CV21M-5's many characteristics, MultiVGA+CVBS+Component, OSD Menu, Multi Aspect Ratio for PSP Game, 3D Stereo for PC Game and Movie, will help video eyewear manufacturers to create many stylish product that consumers want.

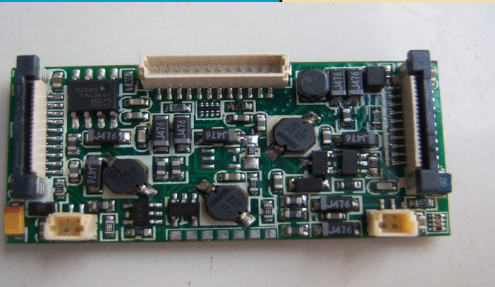
Inside of CPLD



Special Scaler for PSP Game



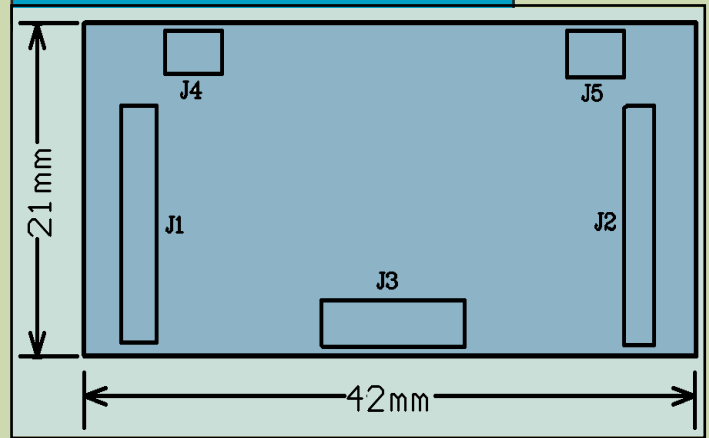
Front Side



Back Side



MECHANICAL OUTLINE



CONNECTOR

J1, J2 (LCD Display):

PIN	SYMBOL	DESCRIPTION
1-20	LCD Display connector	Kopin CyberDisplay™ 922K Display

J3 (Input):

PIN	SYMBOL	DESCRIPTION
1	BLU/Pb	BLUE(VGA) or Pb(COMP) Input.
2	GRN/Y/Video	GREEN(VGA) or Y(COMP) or Video(CVBS) Input.
3	RED/Pr	RED(VGA) or Pr(COMP) Input.
4	AGND	Analog GND
5	HS	Horizontal Sync(VGA) Input
6	VS	Vertical Sync(VGA) Input
7	FIELD	FIELD(VGA) Input
8	KEY	Ext. Keyboard Input
9	DGND	Power GND
10	DGND	Power GND
11	VDD	+5V Input
12	VDD	+5V Input

CH4, CH5 (Backlight):

PIN	SYMBOL	DESCRIPTION
1	BL+	2~10mA adjustable
2	BL-	

Ext. Keyboard

