



Application Note 79

Using the DS87C530 Real Time Clock

OVERVIEW

The DS87C530 incorporates a real time clock (RTC) and alarm to allow the user to perform real-world timing operations such as time-stamping an event, performing a task at a specific time, or executing very long timing delays. Although software timing loops or internal timers could be used for such measurements, they are crystal dependent, inefficient for long time measurements, and are incompatible with the use of power management modes. Integration of the RTC onto the DS87C530 means that only a 32.768 KHz crystal is required. No load capacitors are required with the RTC crystal. The RTC is controlled by dedicated Special Function Registers (SFRs).

The DS87C530 RTC consists of subsecond, second, minute, hour, day of the week, and two total day count registers. In addition there is an alarm register for the subsecond, seconds, minutes, and hours registers. The subsecond register provides a resolution of 1/256 of a second, and a maximum rollover count of 1 second. The registers and control bits used by the RTC are shown in Table 1. Bits and registers designated as unchanged after a reset may be indeterminate following a no-battery reset. Consult the full bit or register description for complete details.

Both user software and the internal clock directly write and read the RTC time registers (RTCSS, RTCs, RTCM, RTCH, RTCD0, RTCD1). To prevent the possibility of both user software and the internal timer accessing the same register simultaneously, the DS87C530 incorporates a register locking mechanism. Updates to the RTC time registers by the internal timer are temporarily suspended for up to 1 ms during software read or

write operations. If a subsecond timer tick should occur in the 1 ms window, it will be processed immediately as soon as either the RTCWE or RTCRE bits are cleared. To prevent the possibility of an accidental write to the RTC time registers, the RTCWE bit should be cleared as soon as the planned modifications are complete. As a protective measure, the device will clear the RTCWE bit automatically after 1 ms if it has not been cleared in software. To allow any pending timer ticks to be processed, software must wait four machine cycles between any successive modifications of the RTCWE or RTCRE bits.

This scheme will not affect the accuracy of the RTC, as any subsecond timer tick that may occur during the read or write window is only temporarily delayed, not discarded. Only the recognition of that single subsecond timer tick is delayed, and subsequent ticks will be synchronized with the clock. The only possible implication with respect to RTC operation occurs if a timer tick that would cause an alarm interrupt occurred during a time register read operation. In that case, the alarm would be delayed a fraction of a millisecond until the RTCRE bit was cleared. As mentioned, the next subsecond timer tick will occur at the proper time, so the long-term clock accuracy will not be affected.

It is critical that the 4 machine cycle setup and 1 ms window timings be observed. Any reads from the time registers before the 4 machine cycle period may return an invalid time. Writes to the time registers before the 4 machine cycle period will be ignored. Similarly, any RTC time register operations outside of the 1 ms window will result in invalid read operations or ignored write operations. For this reason, interrupts should be globally disabled before modifying any RTC register.

REAL TIME CLOCK CONTROL AND STATUS BIT SUMMARY Table 1

BIT NAME	LOCATION	FUNCTION	RANGE	RESET	READ/WRITE ACCESS
ERTCI	EIE.5	RTC Interrupt Enable		0	Unrestricted
PRTCI	EIP.5	RTC Interrupt Priority		0	Unrestricted
RTASS.7-0	RTASS	RTC Alarm Subsecond	0-FFh	Unchanged	Unrestricted
RTAS.5-0	RTAS	RTC Alarm Second	0-3Bh	Unchanged	Unrestricted
RTAM.5-0	RTAM	RTC Alarm Minute	0-3Bh	Unchanged	Unrestricted
RTAH.4-0	RTAH	RTC Alarm Hour	0-17H	Unchanged	Unrestricted
RTCSS.7-0	RTCSS	RTC Subsecond	0-FFh	Unchanged	Read: only if RTCRE=1. Cannot be written. Cleared when RTCWE 1 ≥ 0
RTCS.5-0	RTCS	RTC Second	0-3Bh	Unchanged	Read: only if RTCRE=1. Write: only if RTCWE=1. 1 ms Read/Write window
RTCM.5-0	RTCM	RTC Minute	0-3Bh	Unchanged	
RTCH.4-0	RTCH.4-0	RTC Hour	0-17h	Unchanged	
DOW2-0	RTCH.7-5	RTC Day of Week	0-7h	Unchanged	
RTCD1.7-0 RTCD0.7-0	RTCD1, (MSB) RTCD0, (LSB)	RTC Day	0-FFFFh	Unchanged	
SRCE	RTCC.7	RTC Subsecond Compare Enable		Unchanged	Unrestricted
SCE	RTCC.6	RTC Second Compare Enable		Unchanged	Unrestricted
MCE	RTCC.5	RTC Minute Compare Enable		Unchanged	Unrestricted
HCE	RTCC.4	RTC Hour Compare Enable		Unchanged	Unrestricted
RTCRE	RTCC.3	RTC Read Enable		0	Unrestricted
RTCWE	RTCC.2	RTC Write Enable		0	Read: Unrestricted Write: Timed Access
RTCIF	RTCC.1	RTC Interrupt Flag		0	Unrestricted
RTCE	RTCC.0	RTC Enable		Unchanged	Read: Unrestricted Write: Timed Access
E4K	TRIM.7	External 4096 Hz RTC Signal Enable		0	
X12/6	TRIM.6	RTC Crystal Capacitance Select		Unchanged	
TRM2-0	TRIM.5 TRIM.3 TRIM.1	RTC Trim Bit 2-0		Unchanged	Read: Unrestricted Write: Timed Access
TRM2-0	TRIM.4 TRIM.2 TRIM.0	RTC Inverted Trim Bit 2-0		Unchanged	Read: Unrestricted Write: Timed Access, must be inverse of TRM2-0

STARTING AND STOPPING THE RTC

The operation of the RTC crystal amplifier is controlled by the RTC Enable bit, RTCE (RTCC.0). This bit can only be accessed by a Timed Access procedure, and is unaffected by any operational reset. The state of the RTCE bit is undefined after a no-battery reset, however, and should be initialized. Clearing the RTC Enable bit will halt operation of the crystal amplifier and the clock, but all register values (including the time when the clock was disabled) will be retained. This may be desirable to preserve the life of the backup energy source during periods of storage. When restarting the RTC crystal oscillator, either from a no-battery reset condition or by setting the RTC Enable bit, the crystal start-up time must be observed. There is no direct way to detect when the RTC crystal oscillator has stabilized, and the system software must allow sufficient stabilization time when restarting the RTC. Crystal startup times are specified by the crystal manufacturer, but are usually on the order of 1 second.

After a loss of battery power or when attaching a battery for the first time it will be necessary to initialize the RTC. Although there is no status bit to indicate a no-battery reset, there are several ways to detect when the real time clock has lost power / time. The best way is to monitor a reserved location in on-board memory. Because the DS87C530 on-chip SRAM contents are preserved by the same energy source as the RTC, an unexpected change in a previously loaded memory location can indicate a loss of battery power.

READING THE TIME

Reading the current time from the RTC is accomplished by the following procedure:

1. Disable all interrupts by clearing the EA bit (IE.7),
2. Set the RTCRE bit (RTCC.3),
3. Wait 4 machine cycles,
4. Read the appropriate register(s) within 1 ms of RTCRE being set,
5. Clear the RTCRE bit (RTCC.3),
6. Enable interrupts by setting the EA bit (IE.7).

SETTING THE TIME

The time on the DS87C530 is set by writing to the Clock Registers. The Second, Minute, Hour, Day of the Week, and Day Count can be set by writing to the respective registers. It is not possible to set the Real Time Clock

Subsecond Register (RTCS; FBh). This register is automatically reset to 00h when the RTCWE bit is cleared, either through software or the automatic time-out of the 1 ms write window. The procedure for setting an RTC time register is as follows:

1. Disable all interrupts by clearing the EA bit (IE.7),
2. Perform a Timed Access procedure,
3. Set the RTCWE bit (RTCC.2),
4. Wait 4 machine cycles,
5. Write the appropriate register(s) within 1 ms of RTCWE being set,
6. Perform a Timed Access procedure,
7. Clear the RTCWE bit (RTCC.2),
8. Enable interrupts by setting the EA bit (IE.7).

USING THE RTC ALARM

The RTC alarm function is used to generate an interrupt when the RTC value matches selected alarm register values. An alarm can be triggered by a match on one or more of the following alarm registers: Subsecond (RTASS;F2h), Second (RTAS; F3h), Minute (RTAM; F4h), and Hour (RTAM; F5h). Note that there is no alarm register associated with the RTC Day or Day of Week Registers. If an alarm is desired on a specific date, an alarm can be executed once a day and user software can compare the current date against the Day Register. It is not necessary to set the RTC Write Enable bit when setting the alarm registers.

The alarm can be set to occur on a match with any or all of the alarm registers. An alarm can occur on a unique time of day, or a recurring alarm can be programmed every subsecond, second, minute, or hour. The specific alarm registers to be compared are selected by setting or clearing the corresponding compare enable bits (RTCC.7-4). Any compare bit which is cleared will result in that register being treated as a 'Don't Care' when evaluating alarm conditions. Clearing all the compare enable bits will disable the ability of the RTC to cause an interrupt, and will immediately clear the RTC Interrupt Flag (RTCC.1). Unlike some interrupts, the RTC flag is not cleared by exiting the RTC interrupt service routine and must be done in software.

The general procedure for setting the RTC alarm registers to cause a RTC interrupt is as follows:

1. Clear the RTC Interrupt Enable bit (EIE.5),

2. Clear all RTC Alarm Compare enable bits (ANL RTCC, #0Fh),
3. Write one or more RTC Alarm registers,
4. Set the desired RTC Alarm Compare enable bits.
5. Set the RTC Interrupt Enable bit (EIE.5).

Setting the alarm to cause an interrupt for a single time during a 24-hour period is done by setting all the alarm registers to the desired value and enabling all compare bits. For example, if an alarm was desired at 11:45:00 am, the following configuration would be used:

Alarm Subsecond (RTASS)	00 subseconds	= 00h
Alarm Second (RTAS)	00 seconds	= 00h
Alarm Minute (RTAM)	45 minutes	= 2Dh
Alarm Hour (RTAH)	11 hours	= 0Bh
Clock Control (RTCC)	subsecond compare	= F1h
	second compare	
	minute compare	
	hour compare	
	RTC enable	

A recurring alarm is enabled by disabling the compare enable bits associated with one or more alarm registers. In general, a recurring alarm is set using the next lower time increment. For example, if an alarm once an hour was desired, a compare on the RTAM Register would be performed, because the RTCM register will match RTAM register only once an hour. For example, if an alarm once an hour, on the half hour was desired, the following configuration would be used:

Alarm Subsecond (RTASS)	00 subseconds	= 00h
Alarm Second (RTAS)	00 seconds	= 00h
Alarm Minute (RTAM)	30 minutes	= 1Eh
Alarm Hour (RTAH)	11 hours	= 0Bh
Clock Control (RTCC)	subsecond compare	= E1h
	second compare	
	minute compare	
	RTC enable	

In the above example, the subsecond, second, and minute registers are programmed and the corresponding compare enable bits are set, even though only a match on the minute register is desired. This is because a don't care is always treated as a match for the purposes of evaluating alarms. If the SSCE and SCE bits were cleared to 0 (don't care) in the above example, then a match (and interrupt) would occur during every subsecond of the minute in which the RTAM register matched. This would cause 15,360 interrupts, which is most likely

not the desired effect. In general, when specifying a recurring alarm all the compare bits below the largest time increment should be enabled and the corresponding alarm registers loaded with 00h or a known value.

Alarms can occur synchronously when the clock rolls over to match the alarm condition or asynchronously if the alarm registers are set to a value that matches the current time. Note that only one alarm may occur per subsecond tick. This means that if a synchronous alarm has already occurred during the current subsecond, software cannot cause an asynchronous alarm in the same subsecond.

While this is a relatively minor point, it can have implications if software expects to use the asynchronous capabilities of the alarm. For example, assume an RTC interrupt occurs as when the alarm registers match the current time a 01:00:00:00 (1 hour, 0 minutes, 0 seconds, 0 subseconds). The RTC interrupt is relatively short, taking much less than one subsecond tick (<4 ms), and execution returns to the main program. Immediately upon exiting the RTC interrupt routine, an event occurs that requires software to cause an alarm on the hour by setting the alarm to match on 00 minutes, 00 seconds, 00 subseconds. Normally, setting this alarm condition with the time at 01:00:00:00 would immediately cause an RTC interrupt to occur; but because we have already had an alarm in this subseconds, the condition will not be recognized. The alarm will be missed because it will not be evaluated until the next subsecond tick, when the time will have changed to 01:00:00:01. The designer should guard against the possibility of using synchronous asynchronous alarms in the same subsecond.

Because an alarm condition can occur asynchronously, care must be exercised that a match is not accidentally enabled while writing to the alarm registers. For example, assume that the current time is 0B:00:00:00 and the current alarm conditions are 00:00:00:00. Suppose that software changes the alarm to 0B:01:00:00. If the hour, second, minute, and subsecond compare enables are enabled and the first instruction is MOV RTCH, #0B0H, an alarm will occur immediately instead of at the intended time. The best way to avoid this is to disable all compare enables before changing the RTC alarm registers.

RTC SOFTWARE TRICKS

There are a number of simple tricks that can be used to simplify software associated with RTC operations. The 4 machine cycle delay can be performed using a CJNE A,A,\$ instruction. Compared to using 4 NOPs, this is a single instruction, and is 1 byte shorter.

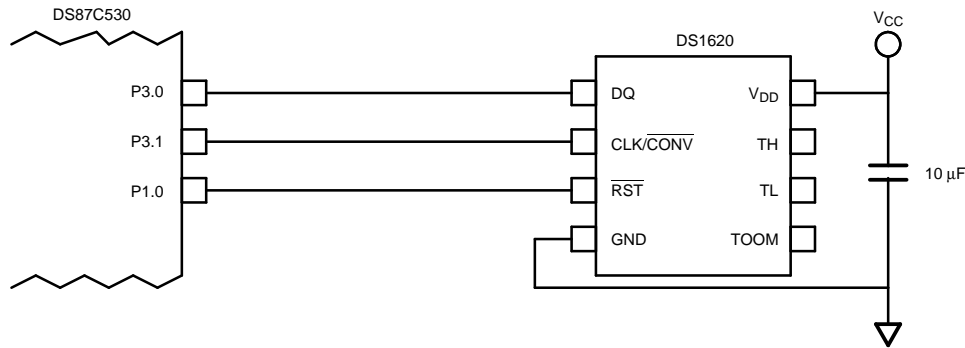
The DS87C530 RTC allows software to dynamically vary the alarm registers to achieve a wide range of intervals. Often software will want to interrupt regularly on half-increments of time (every 30 seconds, 30 minutes, etc.). This can be easily done using the XRL instruction. For example, if the RTAM register is set to 00h, the instruction XRL RTAM, #1Eh will change the contents to 1Eh. Performing the instruction again will change it back to 00h. Placing this instruction at the start of the RTC interrupt routine will cause the appropriate alarm register to be easily and quickly modified each time the interrupt is called.

PROGRAM EXAMPLE: DATALOGGER

The following program illustrates a generic scheme for operating a remote data logging station. In this example,

a DS87C530 is awoken from Stop mode every 30 minutes to read the temperature from a Dallas Semiconductor DS1620 Digital Thermometer and Thermostat. The DS1620 is addressed via serial port 0, using serial mode 0. When the interrupt is called, the DS87C530 will use the ring oscillator to perform a fast resume from Stop, and signal the thermostat to begin a temperature conversion. It will then reset the RTC alarm to occur again in 1 second. This will allow time for the conversion and the crystal warm-up period to complete, after which the device will automatically switch back to the crystal as the clock source. The DS87C530 will read the temperature and transmit it, along with the hour and minute, back to a host system connected to serial port 1. It will then return to Stop mode to await the next alarm. Figure 1 shows a partial schematic for interfacing the DS87C530 and DS1620. If the DS1620 is to be separated from the microcontroller by a long distance, filtering may be necessary on the clock and data lines to reduce noise.

DS1620 INTERFACE EXAMPLE Figure 1



```

;Program DATALOGR.ASM
;
;This program demonstrates how to use the RTC to periodically service an
;external device. The device halts in Stop mode until awoken by an RTC interrupt
;every half hour. It then reads the temperature from a DS1620 Digital
;Thermostat and transmits it, with a time stamp, to the host via serial port 1.

;Register equate table
SP      equ 81h   ;Stack Pointer
PCON    equ 87h   ;Power Control Register
TCON    equ 88h   ;Timer Control Register

```

```
TMOD      equ    89h    ;Timer Mode Register
TH1       equ    8Dh    ;Timer 1 MSB
CKCON     equ    8Eh    ;Clock Control Register
P1        equ    90h    ;Port 1
EXIF      equ    91h    ;External Interrupt Flag Register
SCON0     equ    98h    ;Serial Port 0 Control Register
SBUF0     equ    99h    ;Serial Port 0 Data Buffer
P3        equ    0B0h   ;Port 3
SCON1     equ    0C0h   ;Serial Port 1 Control Register
SBUF1     equ    0C1h   ;Serial Port 1 Data Buffer
TA        equ    0C7h   ;Timed Access Register
WDCON     equ    0D8h   ;Watchdog Control Register
ACC       equ    0E0h   ;Accumulator
RTASS     equ    0F2h   ;Real Time Alarm Subsecond Register
RTAS      equ    0F3h   ;Real Time Alarm Second Register
RTAM      equ    0F4h   ;Real Time Alarm Minute Register
RTCC      equ    0F9h   ;Real Time Clock Control
RTCM      equ    0FCh   ;Real Time Clock Minute Register
RTCH      equ    0FDh   ;Real Time Clock Hour Register

;Bit equate table
RIO       equ    098h
TIO       equ    099h
RENO      equ    09Ch
EA        equ    0AFh
TI1       equ    0C1h
ERTCI     equ    0EDh

DS1620_RST equ    090h ;DS1620 reset pin is tied to DS87C530 P1.0.
WR_CONFIG equ    0Ch  ;DS1620 Write Configuration command.
RD_TEMP   equ    0AAh ;DS1620 Read Temperature command.
START_CONV equ    0EEh ;DS1620 Start Conversion command.

        cseg at 0          ;Reset vector.
        LJMP START
        cseg at 6Bh       ;Real time clock Interrupt vector.
        LJMP RTC_INT
;
        cseg at 100H      ;Beginning of code segment.

START:   MOV    SP,    #40h    ;Initialize Stack pointer.
        MOV    EXIF,  #0Ah    ;Enable ring oscillator restart from Stop mode.
        MOV    P3,    #03h    ;Set P3.1 & P3.0 high to use serial port 0.
        MOV    SCON0, #20h    ;Set serial port mode 0, 4 tclk.

        MOV    P1,    #0Ch    ;Set P1.2 & P1.3 high to use serial port 1.
        ;Clear P1.0 to reset DS1620.
        MOV    SCON1, #40h    ;Set serial port mode 1.
        MOV    TMOD,  #20h    ;Configure timer 1 for 9600 baud
        MOV    TH1,   #0FDh   ; at 11.0592 MHz.
        MOV    TCON,  #40h    ;Start timer.
```

```

;Configure the DS1620
    SETB DS1620_RST    ;Remove DS1620 reset to start operation.
    MOV  A, #WR_CONFIG ;Send command to address configuration byte.
    CALL OUT_1620
    MOV  A, #03h       ;Set Configuration byte = CPU & 1-Shot Mode.
    CALL OUT_1620
    CLR  DS1620_RST    ;Assert DS1620 to end operation.

;Set up the RTC
    MOV  RTAM, #00h    ;Clear all alarm registers. Alarm will ring
    MOV  RTAS, #00h    ; on the next hour to start temperature
    MOV  RTASS, #00h   ; conversion.
    MOV  RTCC, #081h   ;Set alarms so we get a reading at start.
    SETB ERTCI        ;Enable RTC interrupt.
    SETB EA           ;Global interrupt enable.

MAIN:   ORL  PCON, #02h ;Set STOP bit to enter Stop mode.
        JMP  MAIN      ;End of main program loop. Program will return
                          ; here after RTC interrupt is complete.

;*****
;RTC_INT - This ISR reads the temp from the DS1620 and outputs the data to
;
;          serial port 1. The routine starts the conversion, and waits for 1
;          second to allow conversion to complete and crystal to stabilize.
;
;          When the conversion is complete, the device will read the temperature
;
;          and send the hour, minute and temperature to the host. The RTAM
;          register will be modified to alarm again in 30 minutes.
;*****
RTC_INT: MOV  RTCC, #081h ;Clear RTCI flag and second compare enable
          ; bit to generate another alarm in 1 second.
          PUSH ACC        ;Save accumulator.

          SETB DS1620_RST ;Remove DS1620 reset to start operation.
          MOV  A, #START_CONV ;Initiate first temp conversion.
          CALL OUT_1620
          CLR  DS1620_RST ;Assert DS1620 to end operation.

          ORL  RTCC, #08h  ;Enable RTC read process, and delay 4 machine
          CJNE A, ACC, $   ; cycles for time registers to stabilize.
          MOV  R7, RTCM    ;Save minute and hour so we can transmit
          MOV  R6, RTCH    ; them as soon as crystal has stabilized.
          ANL  RTCC, #0F7h ;Reenable time register updates.

WAIT:   MOV  A, RTCC      ;Wait for RTC interrupt flag to be set,
          JNB ACC.1, WAIT ; indicating that conversion is done. The
                          ; one second delay will be sufficient for the
                          ; crystal to stabilize, so switch to it now.

          XRL  RTAM, #1Eh  ;Change alarm to ring on next half hour.
          MOV  RTCC, #0E1h ;Clear RTCI flag, and set compare bits
                          ; so next alarm will be generated in 30 min.

```

```
MOV    A, #'!'           ;Transmit start character.
CALL   OUT_HOST
MOV    A, R6             ;Transmit the hour.
CALL   OUT_HOST
MOV    A, R7             ;Transmit the minute.
CALL   OUT_HOST

SETB   DS1620_RST        ;Remove DS1620 reset to start operation.
MOV    A, #RD_TEMP       ;Conversion is done. Send command to read temp.
CALL   OUT_1620
CALL   IN_1620           ;Read LSB of temperature and send it to host.
CALL   IN_1620           ;Read MSB of temperature and send it to host.
CLR    DS1620_RST        ;Assert DS1620 to end operation.

POP    ACC               ;Restore accumulator and go back to sleep.
RETI

;*****
;OUT_HOST - This routine sends data to the host system via serial port 1.
;*****
OUT_HOST: MOV    SBUF1, A ;Move out byte.
          JNB    TI1, $   ;Wait until data has been transmitted.
          CLR    TI1     ;Clear TI1.
          RET

;*****
;OUT_1620 - This routine sends data to the DS1620 via serial port 0.
;*****
OUT_1620: MOV    SBUF0, A ;Move out byte.
          JNB    TI0, $   ;Wait until data has been transmitted.
          CLR    TI0     ;Clear TI1.
          RET

;*****
;IN_1620 - This routine reads a byte from the DS1620 and echoes it back
;          through serial port 1.
;*****
IN_1620: SETB   RENO      ;Enable receiver to clock in data.
          JNB    RI0, $   ;Wait until data has been received.
          CLR    RENO     ;Disable receiver to prevent reception.
          CLR    RI0     ;Clear RI.

          MOV    A, SBUF0 ;Echo data through serial port 1.
          CALL   OUT_HOST
          RET
```


PROGRAM EXAMPLE: RTC INTERFACE

The following program is a general purpose interface routine to set the RTC and display its status. The program communicates through serial port 0, and allows

the user to set the time and date, set the alarm registers, and indicates when an alarm has occurred. For the sake of simplicity, the program inputs decimal values of time and outputs hexadecimal values.

```

;*****
;Program RTC_UTIL.ASM
;
;This program responds to commands received over the serial port to set
;and read the date, time and alarm information in the DS87C530 Real Time Clock.
;The program initializes the serial port for operation at 28800 baud with an
;11.0592 MHz clock.
;*****
;Register equate table
SP      equ   81h   ;Stack Pointer
DPL     equ   82h   ;Data pointer low register
DPH     equ   83h   ;Data pointer high register
PCON    equ   87h   ;Power Control Register
TCON    equ   88h   ;Timer Control Register
TMOD    equ   89h   ;Timer Mode Register
TH1     equ   8Dh   ;Timer 1 MSB
EXIF    equ   91h   ;External Interrupt Flag Register
SCON0   equ   98h   ;Serial Port 0 Control Register
SBUF0   equ   99h   ;Serial Port 0 Data Buffer
P3      equ   0B0h  ;Port 3
TA      equ   0C7h  ;Timed Access Register
ACC     equ   0E0h  ;Accumulator
B       equ   0F0h  ;B Register
RTASS   equ   0F2h  ;Real Time Alarm Subsecond Register
RTAS    equ   0F3h  ;Real Time Alarm Second Register
RTAM    equ   0F4h  ;Real Time Alarm Minute Register
RTAH    equ   0F5h  ;Real Time Alarm Hour Register
EIP     equ   0F8h  ;Extended Interrupt Priority Register
RTCC    equ   0F9h  ;Real Time Clock Control
RTCSS   equ   0FAh  ;Real Time Clock Subsecond register
RTCS    equ   0FBh  ;Real Time Clock Second
RTCM    equ   0FCh  ;Real Time Clock Minute
RTCH    equ   0FDh  ;Real Time Clock Hour
RTCD0   equ   0FEh  ;Real Time Clock Day Register 0
RTCD1   equ   0FFh  ;Real Time Clock Day Register 1

;Bit equate table
RIO     equ   98h   ;Serial Port 0 Receiver Interrupt Flag
TIO     equ   99h   ;Serial Port 0 Transmitter Interrupt Flag
EA      EQU   0AFh  ;Global Interrupt Enable.
ERTCI   equ   0EDh  ;Real Time Clock Interrupt Enable.

;Constant equate table
CR      equ   0Dh
LF      equ   0Ah

```

```
        cseg at 0           ;Reset vector.
        LJMP START
        cseg at 6BH        ;Real time clock Interrupt vector.
        LJMP RTC_INT

        cseg at 100H       ;Beginning of code segment.
;Data & string tables.
HEX_TABLE: DB '0123456789ABCDEF'
NEW_LINE:  DB CR, LF, 0
YES:      DB 'Y ', 0
NO:       DB 'N ', 0
COMPARE:  DB CR, LF, 'Compare enabled: ', 0
COMPARE_Q: DB ' Enable compare (Y/N)? ', 0
ALARM_MSG: DB CR, LF, 'Alarm: ', 0
TT_BANNER: DB CR, LF, CR, LF, 'DS87C530 RTC UTILITY'
           DB CR, LF, ' A - Set Alarm, T -Set Time'
           DB CR, LF, ' any other key to show registers'
           DB CR, LF, CR, LF, 'RTC registers: ', 0
ALM_BANNER: DB CR, LF, 'Alarm register: ', 0
NEW_BANNER: DB CR, LF, CR, LF, 'Enter new alarm register settings:',0
SET_BANNER: DB CR, LF, 'Enter new time:', 0
SS_BANNER:  DB CR, LF, 'Subsecond: ', 0
S_BANNER:  DB CR, LF, 'Second: ', 0
M_BANNER:  DB CR, LF, 'Minute: ', 0
H_BANNER:  DB CR, LF, 'Hour: ', 0
DW_BANNER: DB CR, LF, 'Day of Week: ', 0
DC_BANNER: DB CR, LF, 'Day Count: ', 0
DW_STRING: DB 'Disabled ',0,'Sunday ',0,'Monday ',0,'Tuesday ', 0
           DB 'Wednesday',0,'Thursday ',0,'Friday ',0,'Saturday ', 0

;Initialize part.
START:  MOV SP, #80h ;Set up stack pointer.

        MOV P3, #0Bh ;Set RXD0, TXD0 & INT1 as inputs.
        MOV RTAM, #00h ;Initialize alarm registers to known values.
        MOV RTAS, #00h
        MOV RTASS, #00h

        MOV TA, #0AAh ;Timed access write to enable RTC.
        MOV TA, #55h
        MOV RTCC, #01h

        MOV SCON0, #050h ;Set serial port 0 for Mode 1, divide by 12.
        MOV TH1, #0FEh ;Timer 1 value for 28800 baud at 11.0592 MHz.
        MOV TMOD, #20h ;Set timer 1 to 8-bit auto reload and start it.
        MOV TCON, #40h
        ORL PCON, #80h ;Set SMOD bit to get 28800 baud.

        SETB ERTCI ;Enable RTC interrupts.
        SETB EA
```

```

        LJMP    TELL_TIME      ;Display the time.
;*****
;This is the main program loop. It waits for a character on serial port 0,
;and then takes the appropriate action.
;*****

CHAR_TEST:  JNB    RI0, $      ;Wait for incoming command character.
            CLR    RI0
            MOV    A, SBUF0    ;Test to see what to do.
CHECKT:     CJNE   A, #'T', CHECKA ;T - set time.
            LJMP   SET_TIME
CHECKA:     CJNE   A, #'A', TT_JUMP ;A - set alarm.
            LJMP   SET_ALARM
TT_JUMP:    LJMP   TELL_TIME   ;else display time.

;*****
;SET_TIME sets the current time.
;*****
SET_TIME:   MOV    DPTR, #SET_BANNER ;Display set time banner.
            CALL   OUT_STRING
            MOV    DPTR, #H_BANNER  ;Get hour & save temp copy.
            CALL   OUT_STRING
            CALL   IN_TIME
            ANL    A, #1Fh         ;Make sure day of week bits are 0.
            MOV    R4, A
            MOV    DPTR, #M_BANNER  ;Get minute & save temp copy.
            CALL   OUT_STRING
            CALL   IN_TIME
            MOV    R5, A
            MOV    DPTR, #S_BANNER  ;Get second & save temp copy.
            CALL   OUT_STRING
            CALL   IN_TIME
            MOV    R6, A
            MOV    DPTR, #DC_BANNER ;Get day count(2 bytes) & save temp copies.
            CALL   OUT_STRING
            CALL   IN_TIME
            MOV    R2, A
            CALL   IN_TIME
            MOV    R3, A
            MOV    DPTR, #DW_BANNER ;Get day of week value and add it on to
            CALL   OUT_STRING      ; the upper 3 bits of the hour register.
            CALL   IN_TIME
            SWAP   A
            RL    A
            ANL   A, #0E0h
            ORL   A, R4
            XCH   A, R4
            MOV   DPTR, #NEW_LINE  ;Add a blank line for esthetics.
            CALL   OUT_STRING

```

```
MOV    TA, #0AAh           ;We have all the values, now save them.
MOV    TA, #055h           ;Perform a timed access to write to
ORL    RTCC, #04h          ; set new time & date.
CJNE   A, ACC, $           ;Delay 4 machine cycles.
MOV    RTCSS, R7
MOV    RTCS, R6
MOV    RTCM, R5
MOV    RTCH, R4
MOV    RTCD0, R3
MOV    RTCD1, R2
MOV    TA, #0AAh           ;Clear RTCWE bit to prevent accidental
MOV    TA, #055h           ; changes to time registers.
ANL    RTCC, #0FBh

LJMP   CHAR_TEST           ;Return and wait for another event.

;*****
;TELL_TIME displays the current time, alarm registers, and alarm status.
;*****
TELL_TIME: MOV    DPTR, #TT_BANNER ;Display current time.
          CALL   OUT_STRING
          CALL   OUT_TIME

          MOV    DPTR, #ALM_BANNER ;Display alarm registers.
          CALL   OUT_STRING
          MOV    R7, RTASS
          MOV    R6, RTAS
          MOV    R5, RTAM
          MOV    R4, RTAH
          CALL   DISP_TIME

          MOV    DPTR, #COMPARE     ;Now display the compare bits.
          CALL   OUT_STRING
          MOV    A, RTCC

          CALL   DISP_COMP           ;Display Hour compare bit.
          RR    A
          CALL   DISP_COMP           ;Display Minute compare bit.
          RR    A
          CALL   DISP_COMP           ;Display Second compare bit.
          RR    A
          CALL   DISP_COMP           ;Display Subsecond compare bit.

          ORL    RTCC, #08h          ;Set the read bit to stop RTC update.
          CJNE   A, ACC, $           ;Delay 4 machine cycles.
          MOV    R4, RTCH            ;Read the hour register.
          MOV    R3, RTCD0           ;Read the day count registers.
          MOV    R2, RTCD1
          ANL    RTCC, #0F7h         ;Clear the read bit to restart RTC.
```

```

MOV     DPTR, #DW_BANNER    ;Output Day of Week banner.
CALL   OUT_STRING          ; the upper 3 bits of the hour register.
MOV     A, R4               ;Day of week is stored in upper 3 bits
SWAP   A                   ; of hour register. Move it to bits 2-0
RR     A                   ; and multiply by 10 to get location
ANL    A, #07h             ; within day of week table to start.
MOV     B, #0Ah
MUL    AB
MOV     DPTR, #DW_STRING    ;Now add offset to starting address
ADD     A, DPL              ; of data table to calculate new
JNC    NO_INC               ; data pointer location.
INC     DPH
NO_INC: MOV     DPL, A
CALL   OUT_STRING

MOV     DPTR, #DC_BANNER    ;Output day count banner.
CALL   OUT_STRING
MOV     A, R2               ;Send both registers of day count.
CALL   OUT_DIGIT
MOV     A, R3
CALL   OUT_DIGIT
MOV     DPTR, #NEW_LINE     ;Add a blank line for aesthetics.
CALL   OUT_STRING

LJMP   CHAR_TEST           ;Return and wait for another event.

;This routine displays the status of the compare enable bit.
DISP_COMP: JNB    ACC.4, NO_COMP    ;Display the hour compare bit.
MOV     DPTR, #YES
JMP     OUT_COMP
NO_COMP: MOV     DPTR, #NO
OUT_COMP: CALL   OUT_STRING
RET

;This routine outputs the current time.
OUT_TIME: ORL    RTCC, #08h        ;Set the read bit to stop RTC update.
CJNE   A, ACC, $           ;Delay 4 machine cycles.
MOV     R7, RTCSS          ;Grab the current time / date and store
MOV     R6, RTCS           ; them temporarily in working registers.
MOV     R5, RTCM
MOV     R4, RTCH
ANL    RTCC, #0F7h        ;Clear the read bit to restart RTC.

DISP_TIME: MOV     A, R4           ;Output hour.
ANL    A, #01Fh           ;Mask off day of week bits.
CALL   OUT_DIGIT

MOV     A, R5               ;Output Minute.
CALL   OUT_CDIGIT

MOV     A, R6               ;Output second.
CALL   OUT_CDIGIT

```

```
        MOV    A, R7                ;Output subsecond.
        CALL  OUT_CDIGIT
        RET

;*****
;SET_ALARM sets the alarm registers.
;*****
SET_ALARM: CLR    ERTCI            ;Disable RTC interrupt and clear flag
           ANL    RTCC, #0Fh       ; during this section so that alarms will
                                           ; not be called while enables are changing.

           MOV    DPTR, #NEW_BANNER
           CALL  OUT_STRING
           MOV    DPTR, #H_BANNER
           CALL  OUT_STRING
           CALL  IN_TIME           ;Get hour & save temp copy.
           MOV    R4, A
           CALL  QUERY
           JNC   ASK_M
           ORL    RTCC, #10h       ;Enable hour compare

ASK_M:    MOV    DPTR, #M_BANNER
           CALL  OUT_STRING
           CALL  IN_TIME           ;Get minute & save temp copy.
           MOV    R5, A
           CALL  QUERY
           JNC   ASK_S
           ORL    RTCC, #20h       ;Enable minute compare

ASK_S:    MOV    DPTR, #S_BANNER
           CALL  OUT_STRING
           CALL  IN_TIME           ;Get second & save temp copy.
           MOV    R6, A
           CALL  QUERY
           JNC   ASK_SS
           ORL    RTCC, #40h       ;Enable second compare

ASK_SS:   MOV    DPTR, #SS_BANNER
           CALL  OUT_STRING
           CALL  IN_TIME           ;Get subsecond & save temp copy.
           MOV    R7, A
           CALL  QUERY
           JNC   ASK_X
           ORL    RTCC, #80h       ;Enable subsecond compare.

ASK_X:    MOV    DPTR, #NEW_LINE
           CALL  OUT_STRING

           MOV    RTASS, R7        ;Save new alarm values.
           MOV    RTAS, R6
           MOV    RTAM, R5
           MOV    RTAH, R4
```

```

        ANL    RTCC, #0FDh      ;Clear the RTCI flag in case it was
                                ; accidentally set while we were
                                ; manipulating compare bits.
        SETB   ERTCI          ;Reenable RTC interrupt.
        LJMP   CHAR_TEST

QUERY:   MOV    DPTR, #COMPARE_Q
        CALL   OUT_STRING
        JNB    RI0, $
        CLR    RI0
        MOV    A, SBUF0
        CALL   OUT_CHAR        ;Echo it.
        CJNE  A, #'Y', NO_ENABLE ;If user wants compare, set flag.
        SETB   C
        RET

NO_ENABLE: CLR    C            ;User does not want compare, clear flag.
        RET

;*****
;Output routines.
;*****
;This subroutine outputs an ASCII string. The starting point of the string
;is in DPTR, and the terminating character is '0'.
OUT_STRING: PUSH   ACC          ;Save accumulator.
CHAR_LOOP: CLR    A            ;Clear accumulator for next instruction.
           MOVC   A, @A + DPTR ;Get the next character from the
           JNZ    NXT_CHAR     ; string, and if 0, exit.
           POP    ACC          ;Restore accumulator.
           RET

NXT_CHAR:  CALL   OUT_CHAR     ;Next character is valid, so transmit
           INC    DPTR        ; it. Increment the data pointer
           JMP    CHAR_LOOP    ; to the next position and loop
           ; back to send character.

;This subroutine outputs a leading colon for the minute, second, and subsecond
; when displaying the time. When done, it falls through to OUT_DIGIT.
OUT_CDIGIT: MOV    SBUF0, #':'   ;Display a colon.
           JNB    TI0, $
           CLR    TI0

;This subroutine outputs a hex number in ASCII format through serial port 0.
OUT_DIGIT: MOV    DPTR, #HEX_TABLE
           MOV    R0, A        ;Make another copy of value
           SWAP   A            ;Do high nibble first
           ANL    A, #0Fh      ;Clear unused nibble
           MOVC   A, @A+DPTR   ;Get character from table
           CALL   OUT_CHAR     ;Transmit the character.

           MOV    A, R0        ;Now do low nibble.
           ANL    A, #0Fh      ;Clear unused nibble
           MOVC   A, @A+DPTR   ;Get character from table

```

```
                CALL    OUT_CHAR          ;Transmit the character.
                RET                      ;Done

OUT_CHAR:      MOV     SBUF0, A           ;Transmit the character out the serial
                JNB    TI0, $            ; port and wait until complete.
                CLR    TI0
                RET

;*****
;Input routines.
;*****
;IN_TIME takes two decimal characters from the serial port, and formats them
; as a hexadecimal number.
IN_TIME:      CALL    IN_CHAR            ;Get tens digit.
                MOV    B, #0Ah          ;Multiply first digit by 10 and save to
                MUL    AB                ; add to ones digit.
                XCH    A, B
                CALL    IN_CHAR          ;Get ones digit and add it.
                ADD    A, B             ;Acc now has hex value of 2 decimal digit
                RET                      ; number. Exit.

IN_CHAR:      JNB    RI0, $             ;Wait for character.
                CLR    RI0
                MOV    A, SBUF0
                CALL    OUT_CHAR         ;Echo character back.
                PUSH   ACC              ;Save copy of A.
                ANL    A, #0F0h         ;If bits 7-4 are not 3h, then character
                CJNE   A, #30h, IN_CHAR  ; is not 0-9. Get another character.
                POP    ACC              ;Restore A.
                ANL    A, #0Fh          ;Acc now contains 0-9
                RET

;*****
;RTC_INT - This ISR notifies the user that an alarm has occurred, and gives
; the time of the alarm.
;*****
RTC_INT:      ANL    RTCC, #0FDh        ;Clear RTC Interrupt flag.
                MOV    DPTR, #ALARM_MSG ;Display alarm message and time of alarm.
                CALL   OUT_STRING
                CALL   OUT_TIME
                RETI                    ;Return
```


RTC CRYSTAL CONSIDERATIONS

The most important factor in the accuracy of the RTC (or any oscillator) is the characteristics of the oscillator crystal. The DS87C530 is rated for an accuracy of ± 2 minutes per month over the full operating range of the device. Even higher accuracy can be obtained by controlling the temperature of the device and using the RTC calibration procedures described later. The DS87C530 has been designed to operate with 32.768 KHz RTC crystals with a load capacitance (C_L) of 6 pF or 12.5 pF.

Unlike some crystal amplifiers, no external load capacitors are needed with the RTC crystal.

Dallas Semiconductor products are compatible with industry standard crystals. Table 2 shows a number of common 32.768 KHz crystals. This list is by no means exhaustive, and the inclusion or exclusion of any vendor from this list is in no way a comment on the suitability of a specific crystal in a customer's application.

STANDARD 12.5 PF AND 6 PF RTC CRYSTALS Table 2

MANUFACTURER	MODEL	C_L	PACKAGE
Epson Crystal Corp.	MC-306 32.768K E MC-306 32.768K A	6.0 pF 12.5 pF	SMT SMT
KDS America	DT-26S 32.768 KHz DT-26S 32.768 KHz DMX-26 32.768 KHz DMX-26 32.768 KHz	6 pF 12.5 pF 6 pF 12.5 pF	Cylinder Cylinder SMT SMT
AVX/Kyocera	KF-38G-12P5200 KS-309G-12P5200	12.5 pF 12.5 pF	Cylinder SMT

SELECTING LOAD CAPACITANCE

The value of C_L has the most bearing on the long-term accuracy of the RTC. This parameter specifies the capacitive load that the crystal needs to "see" across its pins to oscillate at its rated frequency. Note that C_L is not the capacitance of the crystal itself, but rather the capacitance of the oscillator circuit and any capacitors connected to the crystal. Using a crystal that has a different C_L than the actual load capacitance of the circuit will affect the frequency of the oscillator. In general, using a crystal with a C_L that is larger than the load capacitance of the oscillator circuit will cause the oscillator to run faster than the specified nominal frequency of the crystal, and vice versa.

The DS87C530 defaults to a mode which makes it compatible with a 12.5 pF crystal, but can be switched to 6 pF by clearing the RTC Capacitance Select bit X12/6 (TRIM.6). Although both crystal types will remain within the specified accuracy, each has a different advantage. The reduced loading of a 6 pF crystal will reduce the power consumption of the RTC crystal oscillator by 25 to 50 percent, increasing the life of the backup battery. A 12.5 pF crystal, however, is less affected by noise and will maintain a higher accuracy over an extended time. Changing the capacitance of the RTC crystal amplifier has no effect on the system clock crystal attached to the X1 and X2 pins.

FINE-TUNING THE OSCILLATOR FREQUENCY

Although the DS87C530 RTC is designed to oscillate at exactly 32.768 KHz, variations in the device, crystal, temperature, and board layout can produce minor timing variations. By adjusting the RTC Trim Bits located in the RTC Trim Register (TRIM;96h), the internal capacitance of the RTC circuitry can be slightly adjusted to improve timing accuracy beyond the minimum specified. Although the trim bits do not correspond to an absolute value of capacitance or frequency shift, they provide a relative adjustment.

Please note that under normal circumstances, adjusting the RTC Trim Bits is not necessary. Upon a no-battery reset, the DS87C530 will reset its internal capacitance to a default value which will guarantee the minimum accuracy specified. If you do not require accuracy better than 2 minutes per month, please skip this section.

To aid the user in determining the true frequency of the RTC, a 4096 Hz signal derived from the 32.768 KHz crystal is available on the P1.7 pin by setting the E4K bit (TRIM.7). This can be measured with a frequency counter to determine the RTC frequency. Do not attempt to measure the frequency of the RTC at the leads of the crystal. The capacitance of oscilloscope probes will distort the operation of the crystal and report erroneous val-

ues. The error of the RTC in minutes per month can be calculated from the following formula:

$$(P1.7 \text{ Frequency} - 4096.000 \text{ Hz}) * (10.547) \text{ [minutes/month]}$$

Note that this error is calculated at a specific temperature and voltage. Crystal characteristics change over temperature, and the designer is advised to characterize the error over the system's range of expected operating conditions.

The trim register features extensive protection to avoid accidental corruption. All of the bits of the trim register require a Timed Access procedure to modify them. In addition, writes to the trim register must be done in complementary pairs. Each of the three trim bits has a complement bit which must be set simultaneously. This is to ensure that any writes to the TRIM register are intentional. If an invalid bit sequence is written to the trim bits, the TRIM register will reset to 0x100101 binary. This is the no-battery reset value, except that the X12/6 bit will remain unchanged. The settings of the TRIM bits do not correspond to an absolute value of capacitance or frequency, and are only used to provide a relative adjustment.

To adjust the RTC trim bits, place the device into the target system with the selected crystal and remove any

sources of loading from P1.7. Then attach a frequency counter to P1.7 and perform the following procedure.

1. Perform a Timed Access procedure,
2. Set TRIM.7, E4K, and modify the TRMx bits, writing their complements to the TRMx\ bits in the same instruction. This will enable the external 4096 Hz signal. on P1.7,
3. Record the frequency,
4. Repeat steps 1–3 eight times until all combinations of TRM0, TRM1, TRM2 have been measured.

After all the measurements have been taken, the measurement closest to 4096.00 Hz is the most accurate setting of the TRMx bits. Program this value into the TRIM register for the maximum accuracy. An example program is provided below.

PROGRAM EXAMPLE: RTC CALIBRATION

The following program example is provided to assist system designers in calibrating their RTC for maximum accuracy. It demonstrates how to set the RTC trim bits and pause the program to allow time to read the frequency output on P1.7.

```

;*****
;Program RTC_CALB.ASM
;
;This program configures the DS87C530 so that the internal RTC frequency can
;be measured. A 4 KHz signal, derived by dividing the 32.768 KHz RTC by 8,
;will be asserted on pin P1.7. The device will step through the 8 settings of
;the RTC trim bits, displaying the current contents of the trim register on
;port 3. A delay of approximately 15 seconds (at 25 MHz) is inserted between
;each setting to allow time to record the frequency.
;
;To calibrate the RTC capacitance, connect a frequency counter to pin P1.7 and
;execute this program. Record the frequency from the counter and the trim bit
;settings as shown on port 3 as it steps through the 8 possible trim settings.
;The setting that produces a frequency closest to 4096 Hz is the most accurate
;setting of RTC capacitance.
;*****

RTCC    equ    0F9h        ;Real Time Clock Control
TA      equ    0C7h        ;Timed Access Register
TRIM    equ    96h         ;RTC Trim Register
P3      equ    0B0h        ;Port 3 Latch

```

```
;These definitions are for 6 pF crystal calibration.
TRIM0    equ    95h        ;First trim bit setting  (6 pF)
TRIM1    equ    96h        ;Second trim bit setting (6 pF)
TRIM2    equ    99h        ;Third trim bit setting  (6 pF)
TRIM3    equ    9Ah        ;Fourth trim bit setting (6 pF)
TRIM4    equ    0A5h       ;Fifth trim bit setting  (6 pF)
TRIM5    equ    0A6h       ;Sixth trim bit setting  (6 pF)
TRIM6    equ    0A9h       ;Seventh trim bit setting (6 pF)
TRIM7    equ    0AAh       ;Eighth trim bit setting (6 pF)

;These definitions are for 12.5 pF crystal calibration.
;TRIM0    equ    0D5h       ;First trim bit setting  (12.5 pF)
;TRIM1    equ    0D6h       ;Second trim bit setting (12.5 pF)
;TRIM2    equ    0D9h       ;Third trim bit setting  (12.5 pF)
;TRIM3    equ    0DAh       ;Fourth trim bit setting (12.5 pF)
;TRIM4    equ    0E5h       ;Fifth trim bit setting  (12.5 pF)
;TRIM5    equ    0E6h       ;Sixth trim bit setting  (12.5 pF)
;TRIM6    equ    0E9h       ;Seventh trim bit setting (12.5 pF)
;TRIM7    equ    0EAh       ;Eighth trim bit setting (12.5 pF)
;
cseg      at      0          ;Reset vector.
          LJMP    START

cseg      at      100H       ;Start of program

;
START:    MOV      P3, #0AAh    ;I'm alive message.

          MOV      TA, #0AAh    ;Timed access.
          MOV      TA, #55h
          MOV      RTCC, #01h    ;Start RTC and clear RTC interrupt flag.

          LCALL    HALFSEC      ;Delay to give RTC oscillator time to
                                ; warm up.
; End of initialization. Now step through all the settings of the trim bits.
          MOV      R0, #TRIM0    ;Trim setting 0
          LCALL    NEXT_SETTING

          MOV      R0, #TRIM1    ;Trim setting 1
          LCALL    NEXT_SETTING

          MOV      R0, #TRIM2    ;Trim setting 2
          LCALL    NEXT_SETTING

          MOV      R0, #TRIM3    ;Trim setting 3
          LCALL    NEXT_SETTING

          MOV      R0, #TRIM4    ;Trim setting 4
          LCALL    NEXT_SETTING
```

```
        MOV        R0, #TRIM5        ;Trim setting 5
        LCALL     NEXT_SETTING

        MOV        R0, #TRIM6        ;Trim setting 6
        LCALL     NEXT_SETTING

        MOV        R0, #TRIM7        ;Trim setting 7
        LCALL     NEXT_SETTING

DONE:    MOV        P3, #0FFh         ;Turn on all port 3 pins to signal
        JMP        DONE              ; we're done.

;*****
;NEXT_SETTING - This subroutine writes the new setting to the RTC trim register,
;              displays the value of the trim register on port 3 for reference,
;              and delays for a period to give time to record the data
;*****
NEXT_SETTING:
        MOV        TA, #0AAH         ;Timed access.
        MOV        TA, #55h
        MOV        TRIM, R0          ;Set E4K and new trim setting.
        NOP
        MOV        P3, TRIM         ;Output value of trim register.

SEC30:   MOV        R3, #30           ;15 second delay with 25 MHz crystal.
SECLoop: LCALL     HALFSEC
        DJNZ      R3,SECLoop
        RET

;*****
;HALFSEC - This subroutine generates a delay of approximately 0.5 second with
;          a 25 MHz crystal.
;*****
HALFSEC: MOV        R0,#25
OUTER:   MOV        R1,#125
MIDDLE: MOV        R2,#249
INNER:   NOP
        DJNZ      R2,INNER
        DJNZ      R1,MIDDLE
        DJNZ      R0,OUTER
        RET
```

NOISE AND CRYSTAL LAYOUT GUIDELINES

The crystal inputs of the DS87C530 RTC (RTCX1, RTCX2) have a very high impedance. Unfortunately, this can cause the leads to the crystal to function as antennae, coupling high frequency signals into the RTC circuitry from the rest of the system. This can lead to a distortion of the crystal oscillator signal, resulting in extra or missed clock edges. In most situations high frequency noise will present the greatest problem, causing the clock to run fast.

The following procedure can be used to determine if noise is the cause of the inaccuracy of a RTC:

1. Power the system up and synchronize the RTC to a known, accurate clock,
2. Remove V_{CC} to the device (but maintain V_{bat}),
3. Wait for a long period of time (24 hours),
4. Apply V_{CC} , read the RTC, and compare to the known, accurate clock,
5. Resynchronize the RTC to the known, accurate clock,
6. Keep system powered up and wait for the same period of time in step 3,
7. Read RTC and compare to the known, accurate clock.

The above procedure allows the designer to measure the inaccuracy of the clock both when the system is operating and when it is powered down. If the clock appears less accurate when powered up, the most likely culprit is system noise. If the inaccuracy remains

whether the system is on or off, then the cause is most likely not system noise.

Because the crystal pins are highly susceptible to coupling noise, care must be taken when locating the external crystal on the PCB and when routing traces. The following guidelines are presented to reduce the effect of external noise on the RTC.

1. Place the crystal as close as possible to the RTCX1 and RTCX2 pins. Short traces reduce stray capacitance and noise coupling.
2. Keep the use small crystal bond pads and short traces to the RTCX1 and RTCX2 pins. Larger pads and longer traces are more likely to couple noise from adjacent circuits.
3. Place a ground guard ring around the crystal. This helps isolate the crystal from adjacent signals.
4. Avoid routing signals beneath the crystal or RTCX1/RTCX2 traces. This helps isolate the crystal from adjacent signals. It is especially important to keep high frequency signals and devices as far away from the crystal as possible.
5. Place a local ground plane directly beneath the ground guard ring. This helps isolate the crystal from signal layers below the crystal.

Figure 2 shows the recommended placement of the RTC crystal, guard ring, and ground plane. The illustration shows one common orientation for a 4-pin surface mount crystal, but pin orientations will vary between manufacturers and package types.

EXAMPLE CRYSTAL PLACEMENT ON PCB Figure 2

