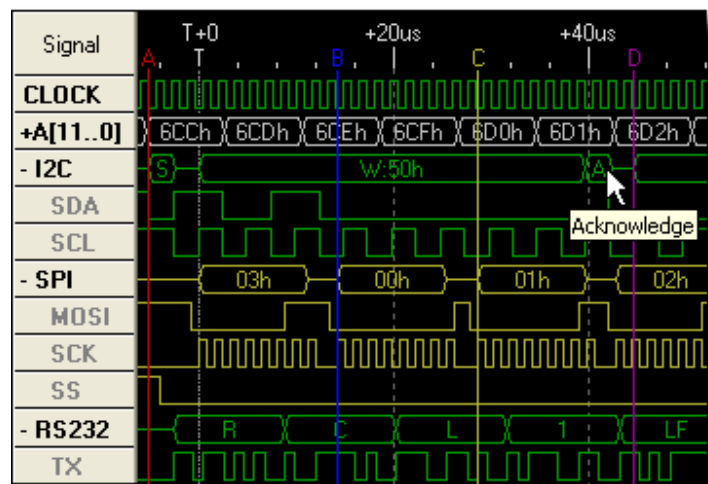


34 CHANNEL LA1034 LOGICPORT LOGIC ANALYZER

500MHz Timing-Mode (Internal Clock)
200MHz State-Mode (External Clock)
Advanced Multi-Level Triggering
Real-Time Sample Compression
+6V to -6V Adjustable Logic Threshold
I2C, SPI and RS232 Interpreters
Built-in 300MHz Frequency Counter
USB 1.1 and 2.0 Compatible



LA1034 LogicPort Specifications and Characteristics Sampled channels:

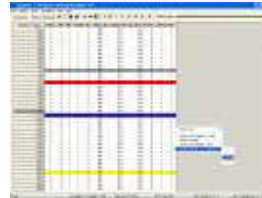
- **34 Timing mode sample rate:** 1KHz to 500MHz (uses internal clock)
- **State mode sample rate:** 0 to 200MHz (clock provided by circuit under test)
- **Sample buffer:** 34 x 2048 samples
- **Maximum sample compression:** 2^{33} to 1 (sample rates to 200MHz)
- **Trigger sequencer:** 250MHz max, 4ns minimum pulse width
- **Trigger event counters:** 20 bits, range 1 to 1,048,576 for each trigger level
- **Input impedance:** 200K Ohms, paralleled by <5pF
- **Frequency counter range:** 300MHz with 10Hz resolution, 4 channels
- **Threshold range:** adjustable +6 to -6 volts with 50mv resolution
- **Threshold accuracy:** +/- (100mV + 5% of setting)
- **Channel to channel skew:** 0.6ns typical, 1.0ns max
- **State mode Setup/Hold times:** 2.0/0ns, window adjustable +/-2.5ns
- **Input sensitivity:** 0.25Vpp @ 50MHz, 0.5Vpp @ 150MHz, 0.8Vpp @ 250MHz
- **Input dynamic range:** 10 volts peak-peak
- **Maximum input:** +/-40 volts DC, 15 volts peak-peak pulse amplitude
- **Timebase accuracy:** +/-0.005% over full temperature range
- **Input Probe:** Teflon insulated leads terminated with female contact compatible with 0.025"-0.030" round or square pins.
- **Power supply current:** 200 milliamps max (supplied by USB)
- **Temperature range:** operating +5 to +50C, storage -10 to +65C
- **Minimum system requirements:**
 - Pentium II or better (400MHz or faster recommended)
 - 32MB available memory
 - 20MB available disk space
 - 800 x 600 (1024 x 768 recommended) standard DPI display
 - USB 1.1 or 2.0 port
- **The LA1034 is compatible with the following operating systems:**
 - Windows 98
 - Windows 98 Second Edition
 - Windows ME
 - Windows 2000
 - Windows XP
 - Windows Vista

LA1034 LogicPort Screenshots

Click on an image to see a larger version along with descriptions of associated features:



Waveforms



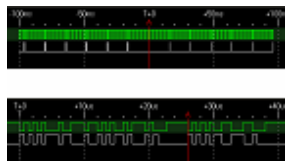
State List



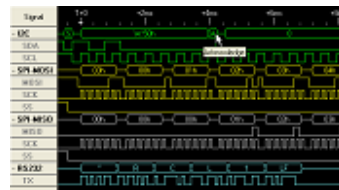
Trigger setup



Sample Mode Setup



Real-Time Hardware
Sample Compression



I2C, SPI, RS232 Interpreters